

QUANTUM LITERATURE RACK

Quantum is a four-pocket, single-sided durable plastic, injection molded, literature rack. Carry bag included.



QUANTUM LITERATURE RACK

We are continually improving and modifying our product range and reserve the right to vary the specifications without prior notice. All dimensions and weights quoted are approximate and we accept no responsibility for variance. E&OE. See Graphic Templates for graphic bleed specifications.

FEATURES & BENEFITS

- Modular design
- 4 front pockets
- Collapses down to a fraction of its size
- Translucent smoke color
- Carry bag included
- Five year hardware warranty against manufacturer defects

DIMENSIONS

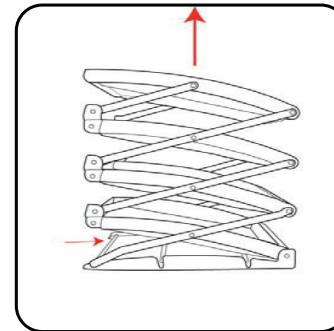
Assembled Dimensions:
54.5"H x 11.25"W x 15"D / 14 lbs

Pocket Size:
13.25"H x 8.75"W x .88"D

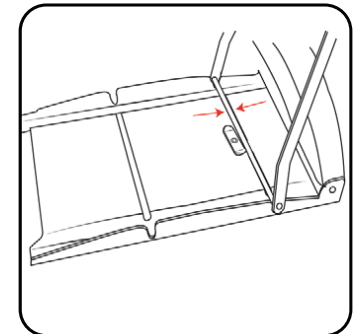
Collapsed Size:
6.5"H x 11.18"W x 15"D

Shipping Dimensions:
17"L x 14"W x 9"D / 16 lbs

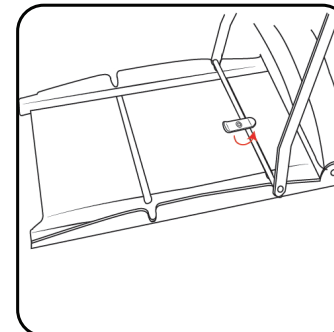
ASSEMBLY



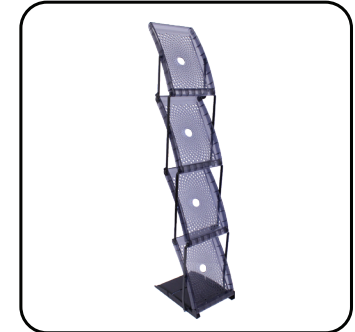
1. Raise unit by lifting the literature rack up.



2. Set bottom leg into groove with locking arm.



3. Turn locking arm to secure.



4. Unit is fully assembled.