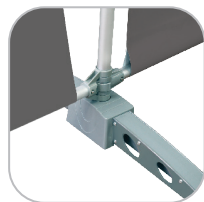


# Pegasus Telescopic Banner Stand

The new Pegasus design enhances the fully adjustable banner stand system. The Pegasus is easy to set up and is versatile due to a variety of height and width options and possibilities. Connect multiple units with new linking connectors (sold separately) or larger backwall configurations.



Linking connectors (sold separately) attach multiple Pegasus Supreme units together

We are continually improving and modifying our product range and reserve the right to vary the specifications without prior notice. All dimensions and weights quoted are approximate and we accept no responsibility for variance. E&OE. See Graphic Templates for graphic bleed specifications.

## features and benefits:

- NEW
- Single or double sided graphics
- Telescopic poles for adjustable graphic width and height
- Linking connectors (sold separately) attach multiple Pegasus Supreme units together
- Includes carry bag
- Kit Includes: 2 feet, 2 telescopic upright poles (2-piece push button connection), 2 telescopic cross poles (2-piece push button connection), 2 top upright to cross pole connectors, 2 bottom upright to cross pole connectors
- One year limited warranty against manufacturer defects

## dimensions:

Hardware	Graphic
<p><b>Assembled Unit:</b>  <b>Pegasus Supreme</b>                      Max : 125.43" w x 123.66" h x 25.6" d                      3186mm(w) x 3141mm(h) x 650mm(d)                      Min: 70.63" w x 82.09" h x 25.6" d                      1794mm(w) x 2085mm(h) x 650mm(d)</p> <p><b>Pegasus Standard</b>                      Max : 102.36" w x 100.2" h x 25.6" d                      2600mm(w) x 2545mm(h) x 650mm(d)                      Min: 58.66" w x 70.87" h x 25.6" d                      1490mm(w) x 1800mm(h) x 650mm(d)</p> <p><b>Approx. Weight (with carry bag):</b>                      Supreme: 11.25 lbs / 5.1 kgs                      Standard: 10.75 lbs / 4.88 kgs</p>	<p><b>Total Visual Area:</b>                      Pegasus Supreme:                      63.5" up to 117.5" w x 82.75" up to 119" h</p> <p>Pegasus Standard:                      51.5" w up to 94" w x 67.75" up to 96.5" h</p> <p>Please be sure to include a 3.75" bleed on the top and bottom for 1" diameter pole pocket.</p> <p>Refer to related graphic template for more information</p> <p>Visit: <a href="http://www.tradeshowplus.com">www.tradeshowplus.com</a></p>

## Shipping

### Shipping Dimensions:

Supreme: 46" l x 10" w x 5" h  
 1168mm(l) x 254mm(w) x 127mm(h)  
 Standard: 38" l x 8" w x 5" h  
 965mm(l) x 203mm(w) x 127mm(h)

### Shipping weight:

Supreme: 13.5 lbs / 6.12 kgs  
 Standard: 12.6 lbs / 5.72 kgs

## additional information:

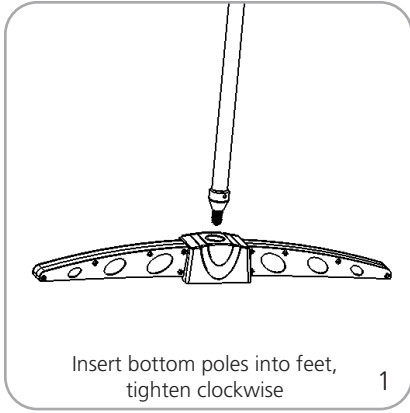
### Graphic Materials:

Flatmaxx (only up to 72" w or 64.5" h), premium 100% opaque fabric, vinyl

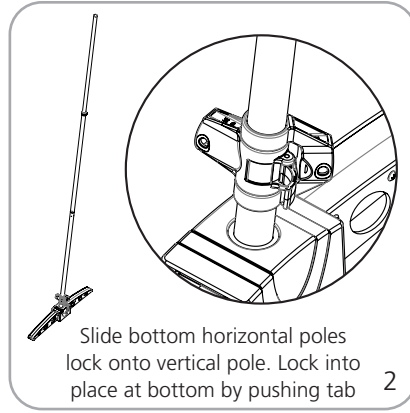
\*Not all materials are available in maximum widths, please check with representative

Extension kit includes: 2 horizontal poles, 1 vertical pole, 2 horizontal pole locks (1 top and 1 bottom), 2 linking connectors and 1 foot

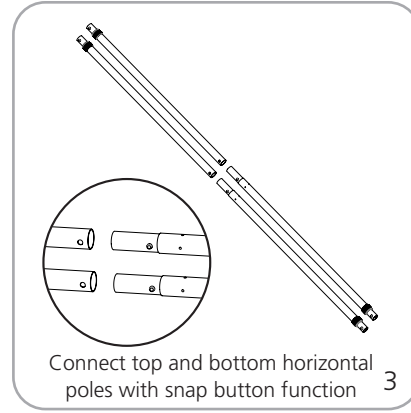
SETUP



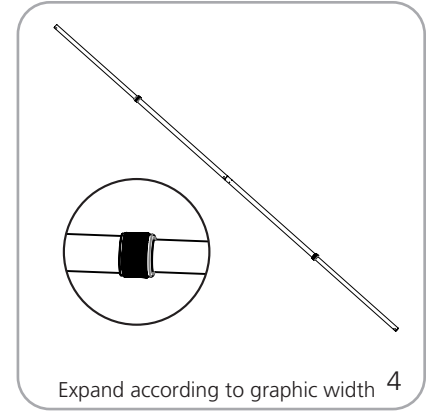
Insert bottom poles into feet, tighten clockwise 1



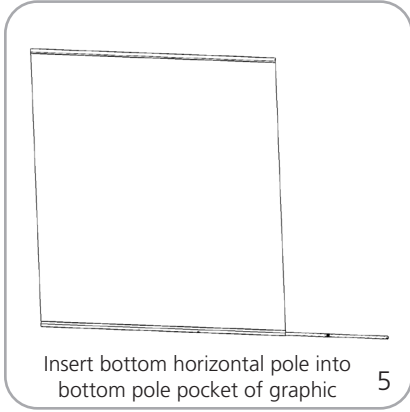
Slide bottom horizontal poles lock onto vertical pole. Lock into place at bottom by pushing tab 2



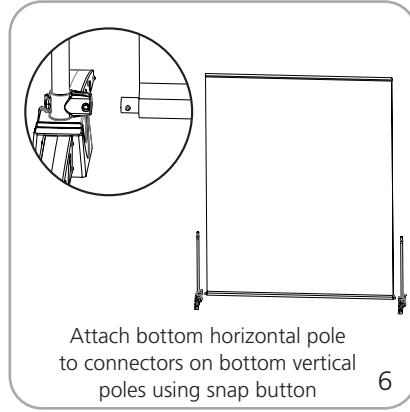
Connect top and bottom horizontal poles with snap button function 3



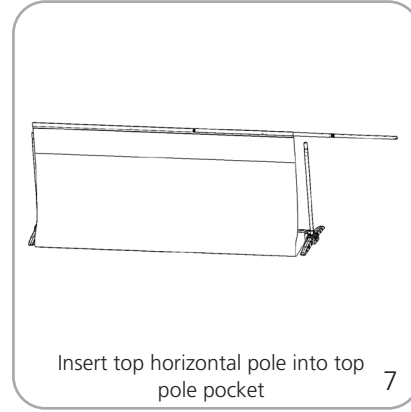
Expand according to graphic width 4



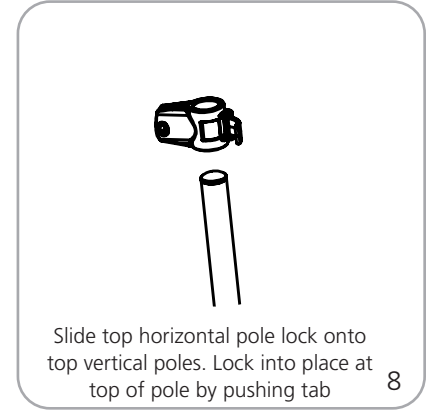
Insert bottom horizontal pole into bottom pole pocket of graphic 5



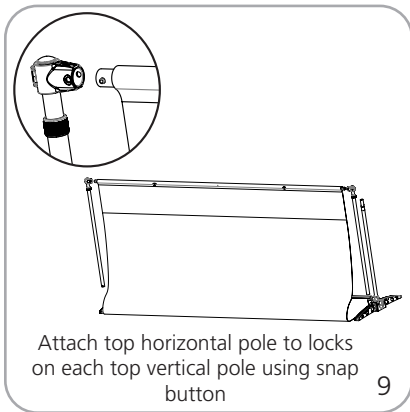
Attach bottom horizontal pole to connectors on bottom vertical poles using snap button 6



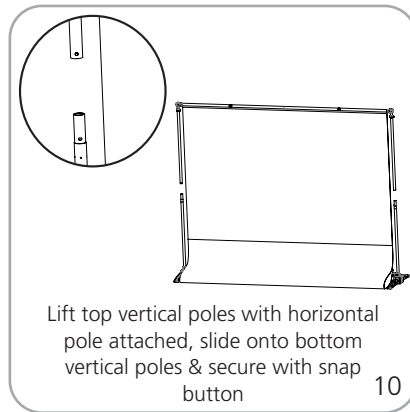
Insert top horizontal pole into top pole pocket 7



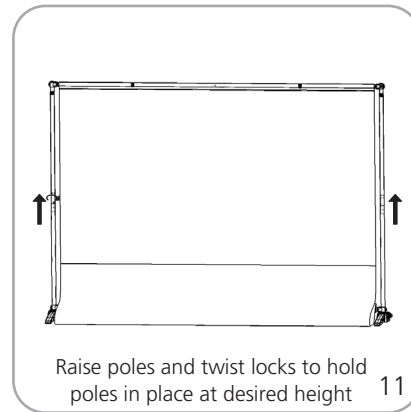
Slide top horizontal pole lock onto top vertical poles. Lock into place at top of pole by pushing tab 8



Attach top horizontal pole to locks on each top vertical pole using snap button 9



Lift top vertical poles with horizontal pole attached, slide onto bottom vertical poles & secure with snap button 10

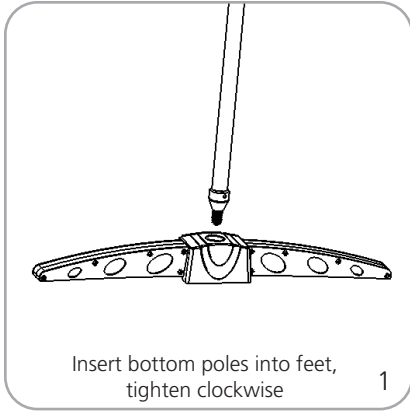


Raise poles and twist locks to hold poles in place at desired height 11



Unit is complete

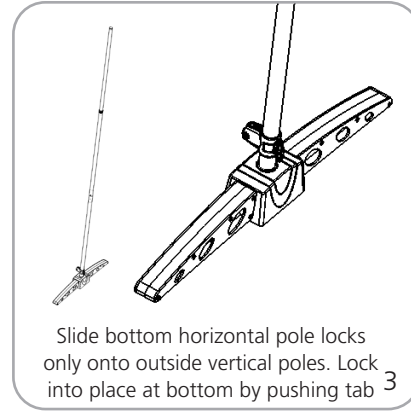
# EXTENSION KIT SETUP



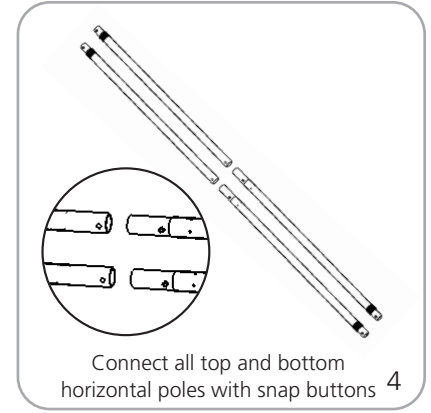
Insert bottom poles into feet, tighten clockwise



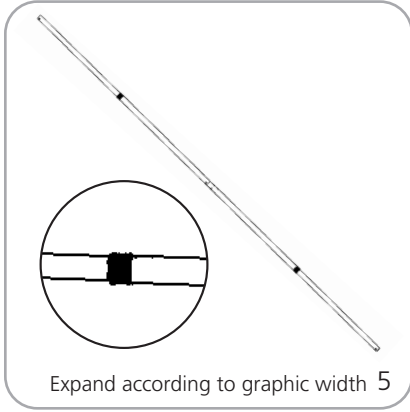
Slide linking connector and horizontal pole lock on bottom center vertical pole



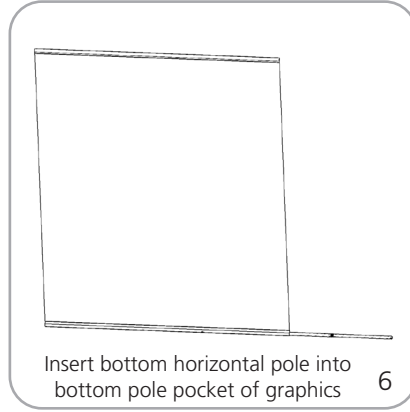
Slide bottom horizontal pole locks only onto outside vertical poles. Lock into place at bottom by pushing tab



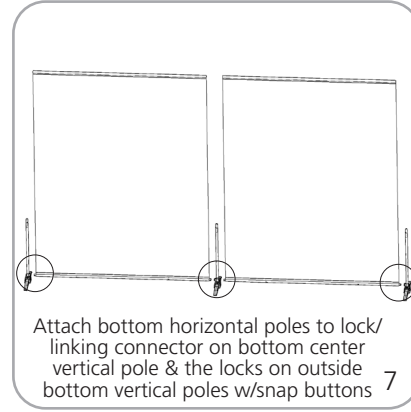
Connect all top and bottom horizontal poles with snap buttons



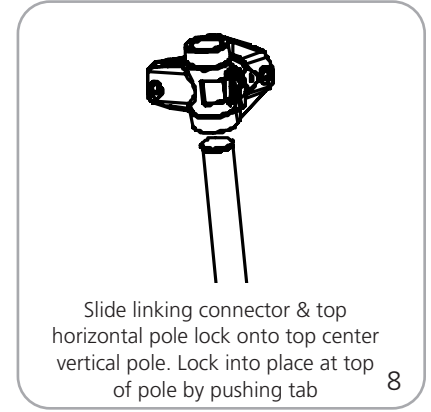
Expand according to graphic width



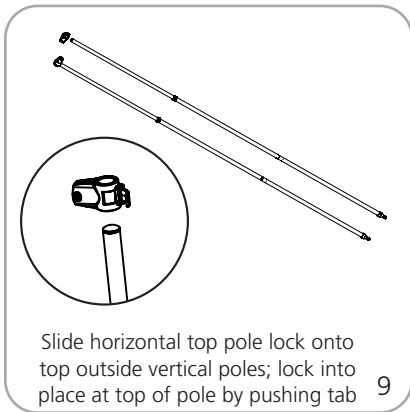
Insert bottom horizontal pole into bottom pole pocket of graphics



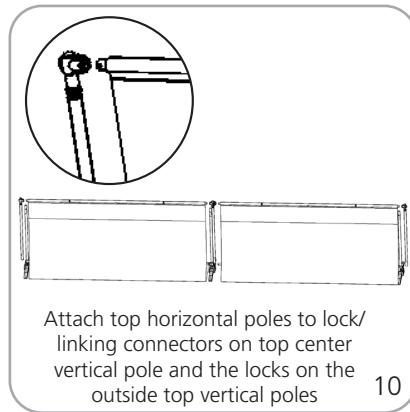
Attach bottom horizontal poles to lock/linking connector on bottom center vertical pole & the locks on outside bottom vertical poles w/snap buttons



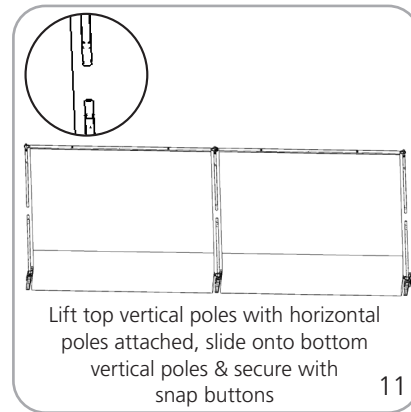
Slide linking connector & top horizontal pole lock onto top center vertical pole. Lock into place at top of pole by pushing tab



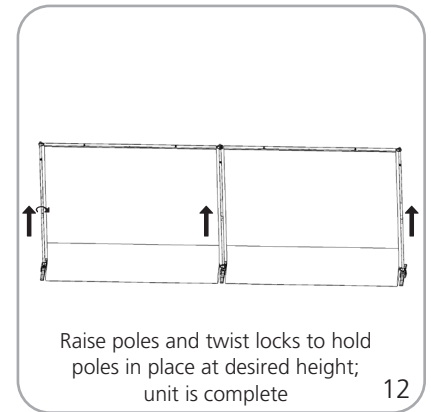
Slide horizontal top pole lock onto top outside vertical poles; lock into place at top of pole by pushing tab



Attach top horizontal poles to lock/linking connectors on top center vertical pole and the locks on the outside top vertical poles



Lift top vertical poles with horizontal poles attached, slide onto bottom vertical poles & secure with snap buttons



Raise poles and twist locks to hold poles in place at desired height; unit is complete