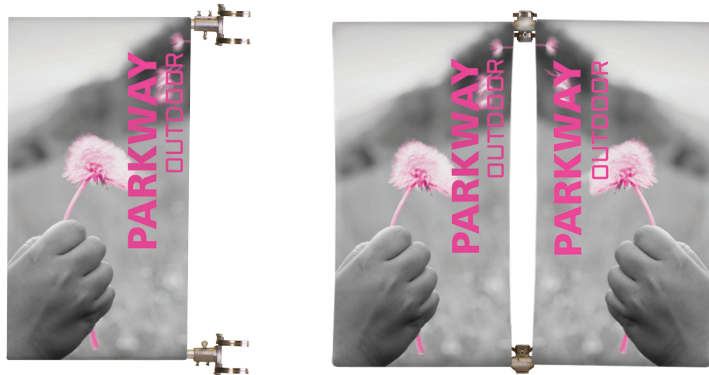


Parkway Pole Banner System

The Parkway Outdoor Pole Banner is an attention-grabbing display sign perfect for use in municipalities, towns and outdoor parks. It features double sided graphics, and has single and double span options that are sure to grab your attention.



We are continually improving and modifying our product range and reserve the right to vary the specifications without prior notice. All dimensions and weights quoted are approximate and we accept no responsibility for variance. E&OE. See Graphic Templates for graphic bleed specifications.

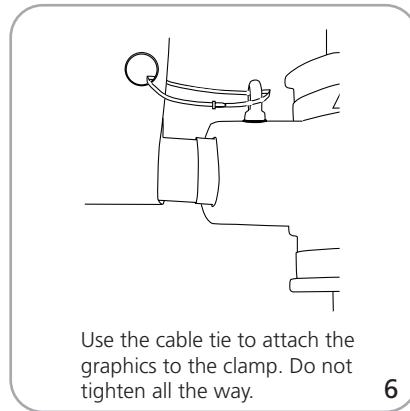
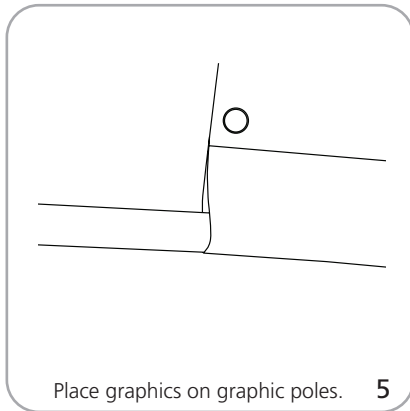
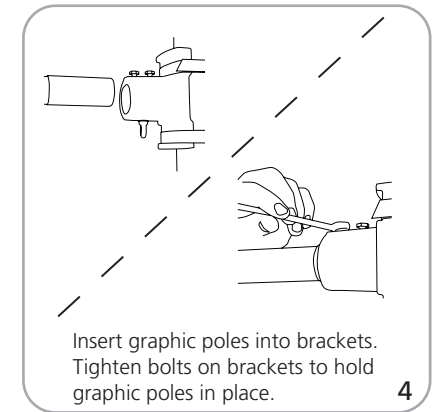
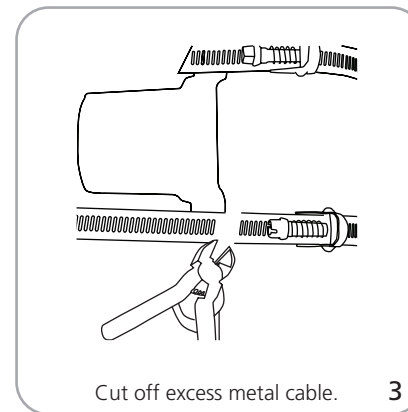
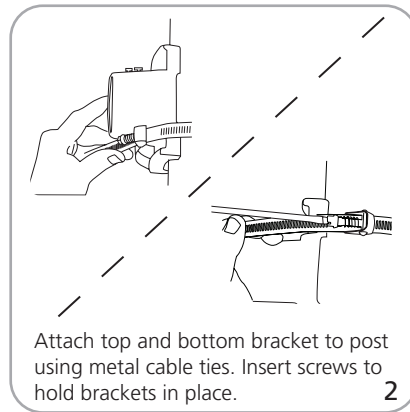
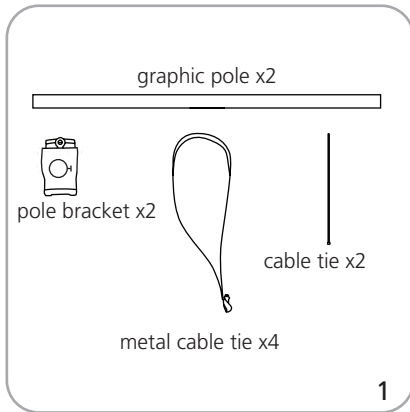
features and benefits:

- Sturdy outdoor construction
- Withstands wind up to 38 mph
- Single or double span available
- Double-sided graphics
- One year warranty against all manufacturer defects

dimensions:

Hardware	Graphic
<p>Assembled unit: (single span) 32" w x 60" h 813mm(w) x 1524mm(h)</p> <p>Assembled unit: (double span) 67" w x 60" h 1702mm(w) x 1524mm(h)</p> <p>Approximate weight: Single span: 11 lbs / 5 kg Double span: 14 lbs / 6 kg</p>	<p>Single span: 30" w x 60" h 813mm(w) x 1524mm(h)</p> <p>Double span: 30" w x 60" h 813mm(w) x 1524mm(h)</p> <p>Refer to related graphic template for more information.</p>
Shipping	
<p>Shipping dimensions: ships in one box and one tube Box: 42" w x 4.5" h x 3.75" d 1067mm(w) x 114mm(h) x 95mm(d)</p> <p>Tube: 33.75" w x 4" h x 4" d 857mm(w) x 102mm(h) x 102mm(d)</p> <p>Approximate shipping weight: Single span: box 5.2 lbs / 2 kg, tube 6.55 lbs / 3 kg, total 11.75 lbs / 5 kg</p> <p>Double span: box 8 lbs / 4 kg, tube 6.55 lbs / 3 kg, total 14.55 lbs / 7 kg</p>	
additional information:	
	<p>Graphic materials: 18 oz. vinyl</p> <p>#3 grommets in corners</p> <p>Bracket: metal cable tie will accommodate a 12" diameter max lightpost.</p> <p>Pole pocket size to accommodate a 1" pole - recommend 3" pole pocket</p> <p>Bands that wrap around pole are 40" long.</p> <p>Optional rubber pole protectant band</p>

Single span set-up



Double span set-up

