

Orient Organic 850 Banner Stand

The Orient Organic 850 is a high-quality, affordable retractable banner stand option. The custom graphics quickly roll up and store in the base, which features molded end caps for durability. The Orient 850 is approximately 3' x 7' in size and comes with a padded carry bag.



features and benefits:

- Variable graphic height: 60" - 83.25"
- Hybrid bungee/ telescoping pole with toolless quick rail
- Adjustable feet on base
- Molded end caps
- Supplied with a padded carry bag with strap
- Lifetime limited warranty against manufacturer defects

dimensions:

Hardware

Assembled unit:
35"(w) x 84.75"(h) x 7.25"(d)
889mm(w) x 2153mm(h) x 185mm(d)

Base dimensions:
35"w x 3.25"h x 7.25"d
889mm(w) x 83mm(h) x 185mm(d)

Shipping

Shipping dimensions - ships in one box:
38"(l) x 9"(h) x 5"(d)
965mm(l) x 229mm(h) x 127mm(d)

Approximate total shipping weight (with no graphic):
12 lbs / 5 kgs

Graphic

Refer to related graphic template for more information.

One year graphic warranty.

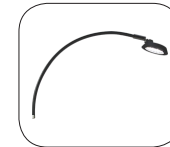
Visit:
www.tradeshowplus.com

additional information:

Graphic material:
anti-curl vinyl, premium opaque fabric, melanex

WARNING: Always attach graphic to base and top rail before removing the locking pin. After fitting, the graphic should be left for 24 hours before use to ensure the adhesive bonds sufficiently. Opening the base will invalidate the product warranty.

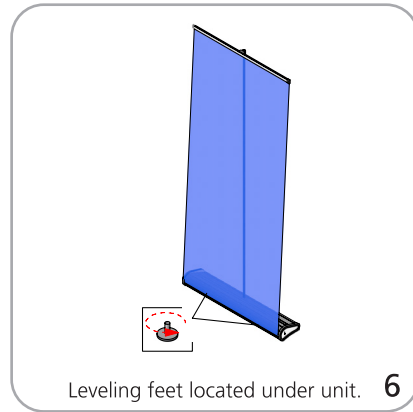
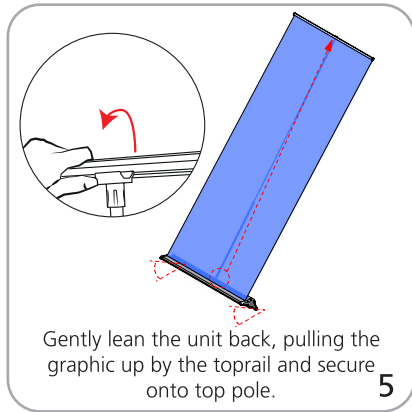
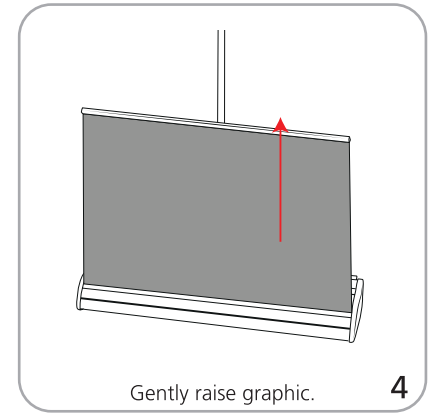
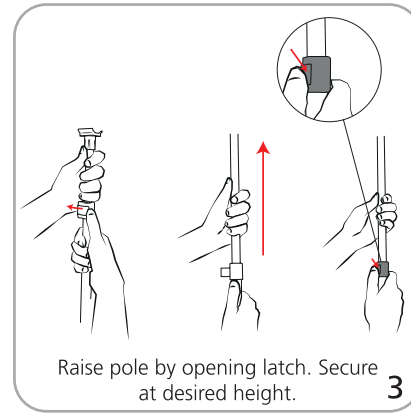
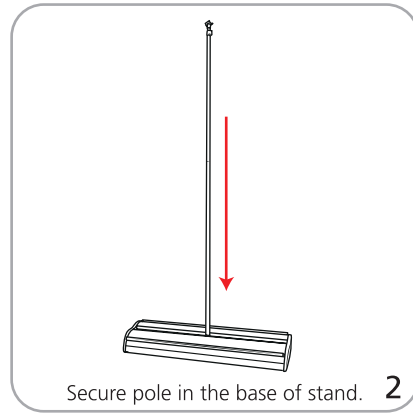
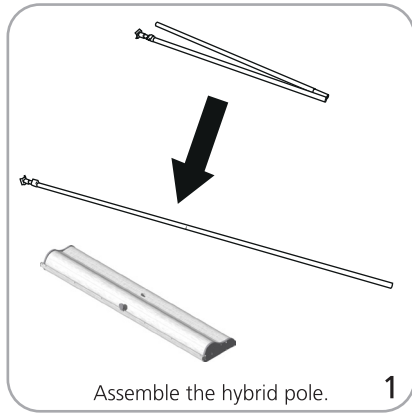
LED Spot banner lighting option available



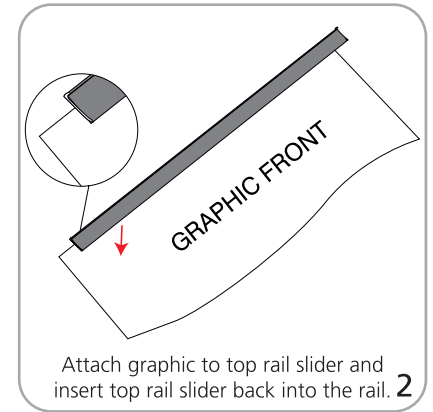
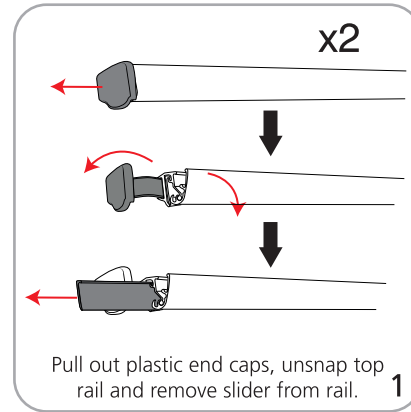
LED Spot

We are continually improving and modifying our product range and reserve the right to vary the specifications without prior notice. All dimensions and weights quoted are approximate and we accept no responsibility for variance. E&OE. See Graphic Templates for graphic bleed specifications.

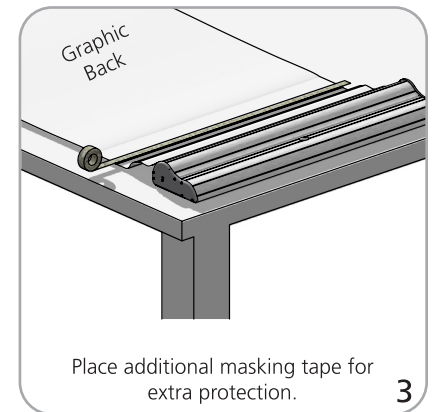
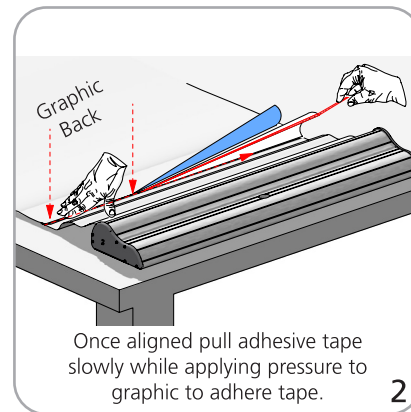
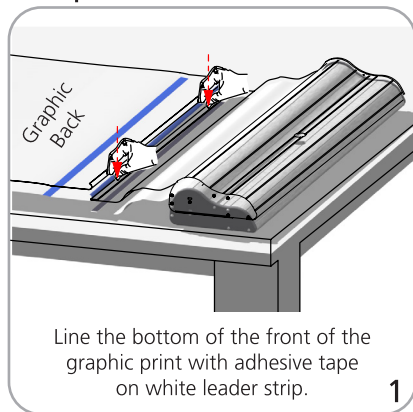
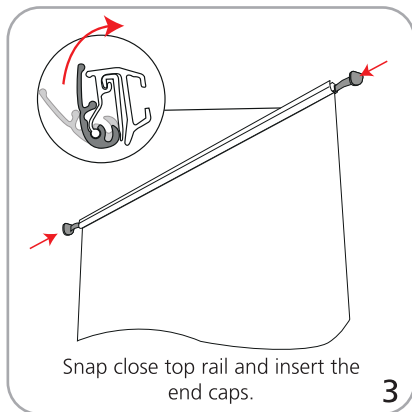
Orient Organic set-up

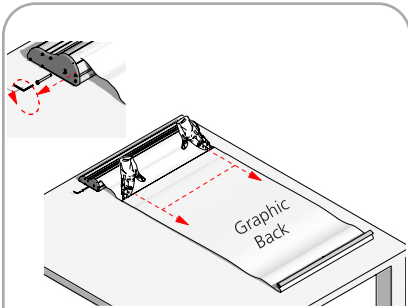


Graphic to top rail attachment



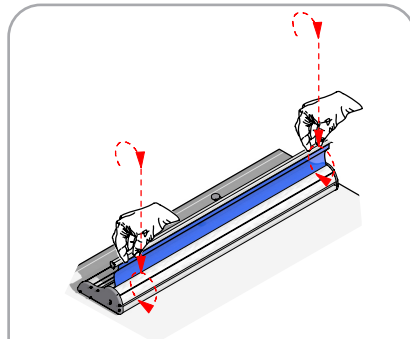
Graphic to base attachment





Remove pin while holding onto the graphic so the graphic does not retract back in quickly.

4



Slowly retract the graphic back into the base.

5