

# Rectangle Truss Counter

Orbital Express Truss Counters have several attractive designs to choose from with a sleek plex top as an available option. Choose from four tabletop colors. Graphic options are also available. No tools needed for assembly.



## features and benefits:

- Kit includes:
  - 2 x 24" straight truss lengths
  - 2 x 30" straight truss lengths
  - full set of quicklock connectors
  - 2 x junction bases
  - 1 x counter top
- Custom appearance
- Toolless assembly
- Simple twist and lock design
- 5 year warranty against manufacturer defects

## dimensions:

### Hardware:

46" w x 37" h x 28" d

### Graphics:

**Total Finished Size:**  
**Straight Style A:**  
 25.75" w x 36.125" h

**Straight Style B:**  
 36.25" w x 36.125" h

\*All dimensions available in millimeters  
 Please be sure to include a 2" bleed around perimeter.

Refer to related graphic template for specific information on sizes and bleeds. Dye-sublimated graphic require different bleed than UV.

Visit [www.tradeshowplus.com](http://www.tradeshowplus.com)

## additional information:

Graphic materials: Dye sublimated or UV panels

Case not included, fits in OCFM case

**Counter max weight = 35 lbs / 15.8 kgs**

- Tabletop color options:



silver



black




mahogany





natural


We are continually improving and modifying our product range and reserve the right to vary the specifications without prior notice. All dimensions and weights quoted are approximate and we accept no responsibility for variance. E&OE. See Graphic Templates for graphic bleed specifications.

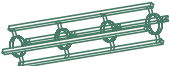
RECTANGLE COUNTER PIECE COUNT:

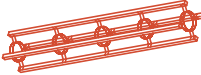
 OR-J-3  
0


 OR-J-DBL  
0


 OR-24-2  
2

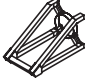
 OR-30-2  
2

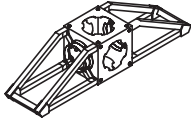
 OR-36-2  
0

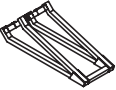
 OR-46-2  
0


 OR-45-CV-3  
0


 OR-90-CV-2  
0


 OR-B90  
0


 OR-B90A  
2


 OR-B45  
0

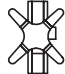
 OR-TOOL-B  
1

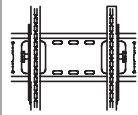
 OR-QL-T2J  
7

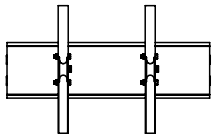
 OR-QL-T2T  
0

 OR-UNC-QL  
2

 OR-STG  
0


 OR-LCD1-B  
0


 OR-LCD2-B  
0


 OR-LCD3-B  
0


 SPOTLIGHT  
0


 OR-TBL  
0


 OR-TBL2-L  
0


 OR-TBL2-R  
0


 OR-IS-24 0


 OR-IS-36 0

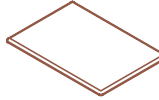
 OR-IS-46 0

 OR-IS-48 0

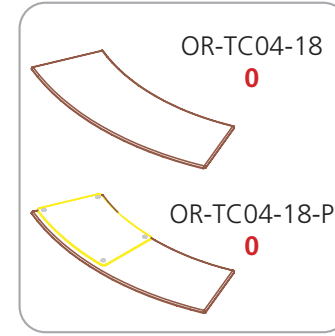
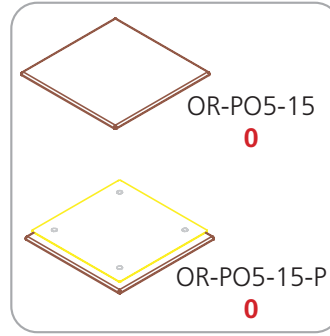
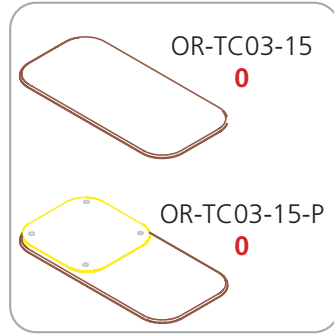
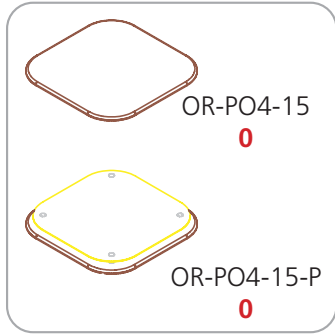
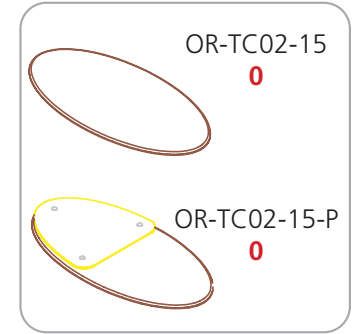
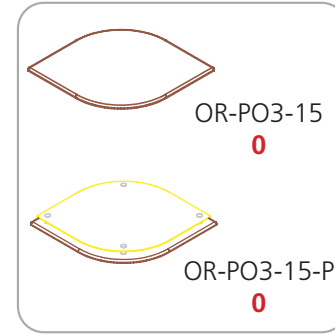
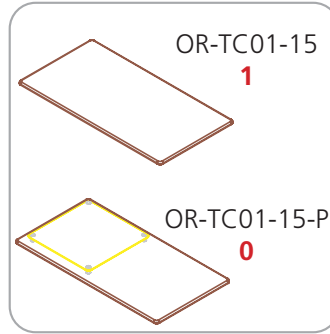
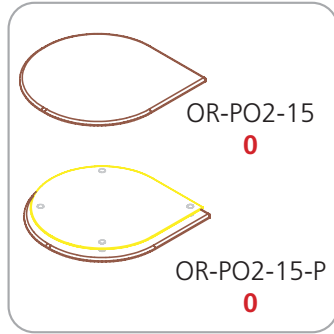
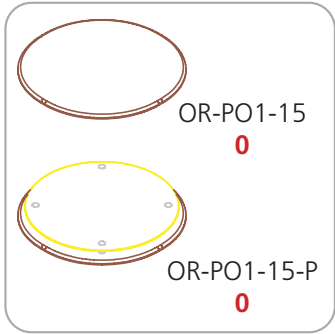
 OR-CIS-90  
0

 OR-SE-IS-90  
0

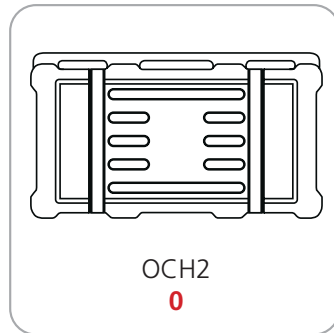
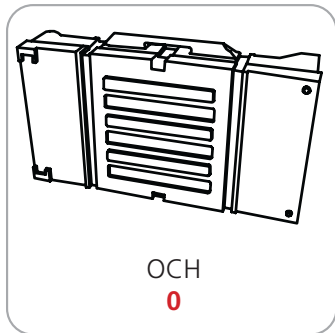
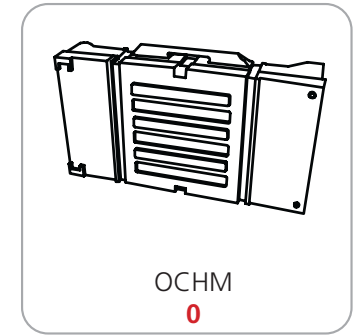
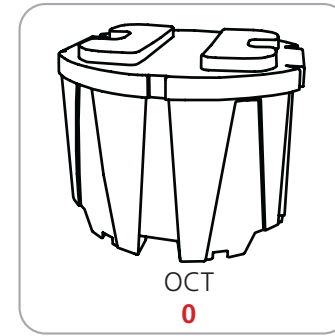
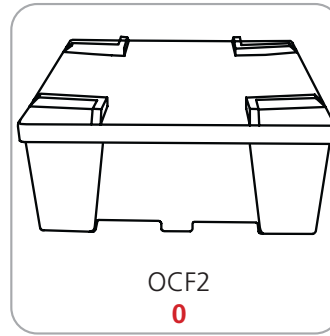
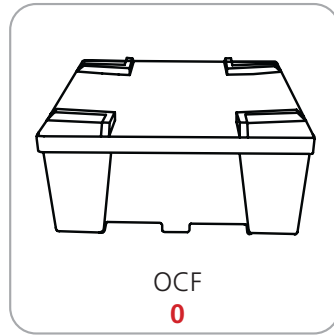
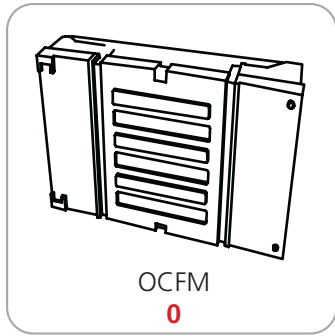
 OR-CIS-45  
0

 OR-ATL-CNTR  
0

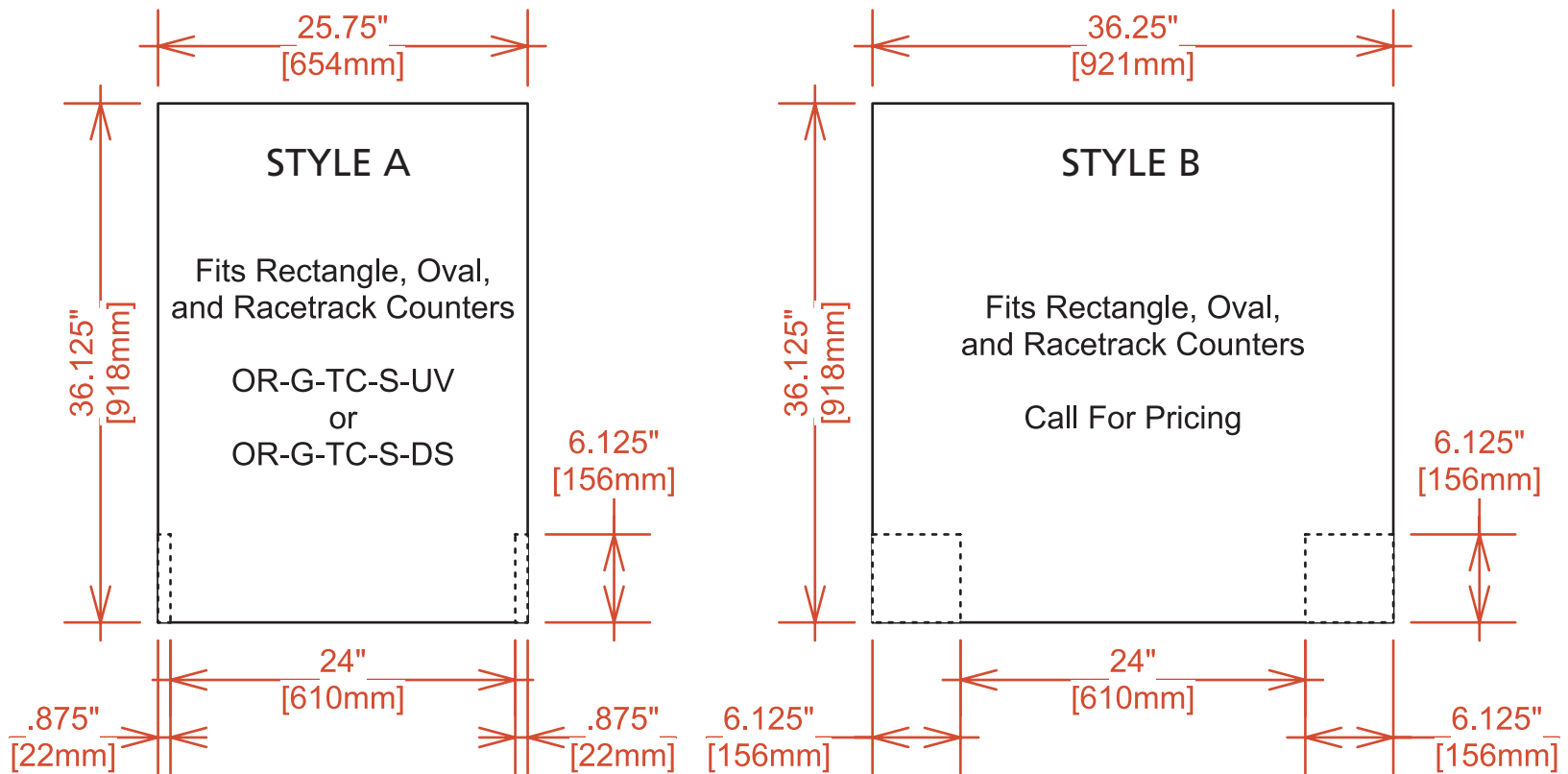
RECTANGLE COUNTER ACCESSORY PIECE COUNT:



RECTANGLE COUNTER CASE COUNT:



RECTANGLE COUNTER GRAPHIC SPECS:  
AVAILABLE GRAPHICS – UV OR DYE SUBLIMATION



**Acceptable File formats:**

Illustrator CC or below  
Photoshop CC or below  
Art time will be charged if files need to be fixed or altered to meet guidelines. When sending files please be sure to include all support art (fonts, linked images, etc.)

**Font Specifications:**

Fonts must be converted to outlines.

**Bleeds:**

All orbital truss graphics require specific bleeds. The sizes listed above represent the finished graphic size. Please keep all logos, type and critical information at least 1" in from each edge of the finished graphic.

**Dye Sublimation:** 2" bleed around the perimeter.

**UV:** 1/2" bleed around the perimeter.

**Color:**

All files are printed as CMYK format. All critical Pantone colors need to be called out in the file or specified on the order as Coated or Uncoated swatches.

**Resolution:**

All raster files (either print files or linked files) must be at 100-120 pixels per inch at 100%

**Finishing Details:**

When graphics are notched, a 7/8" square is cut in the appropriate location.

**FS:** Graphics mounted to front of truss system

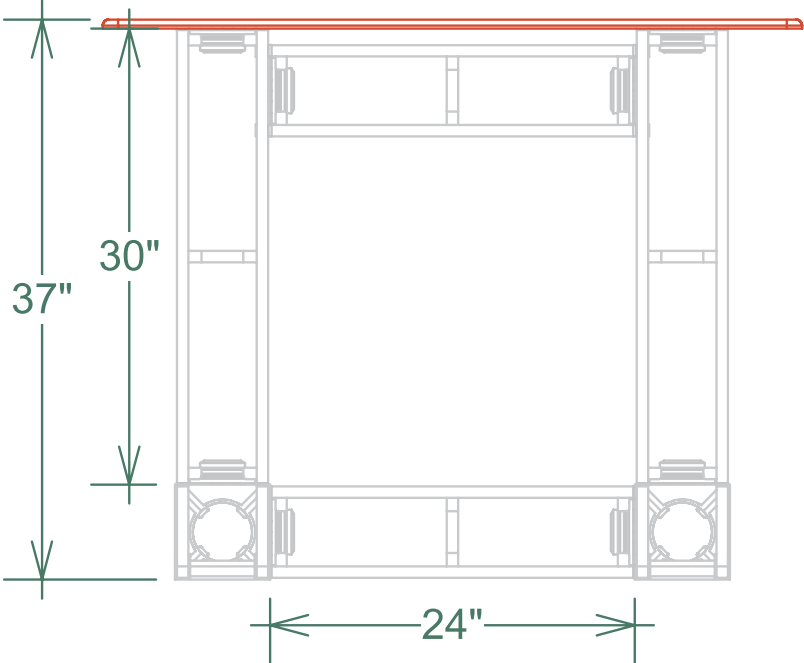
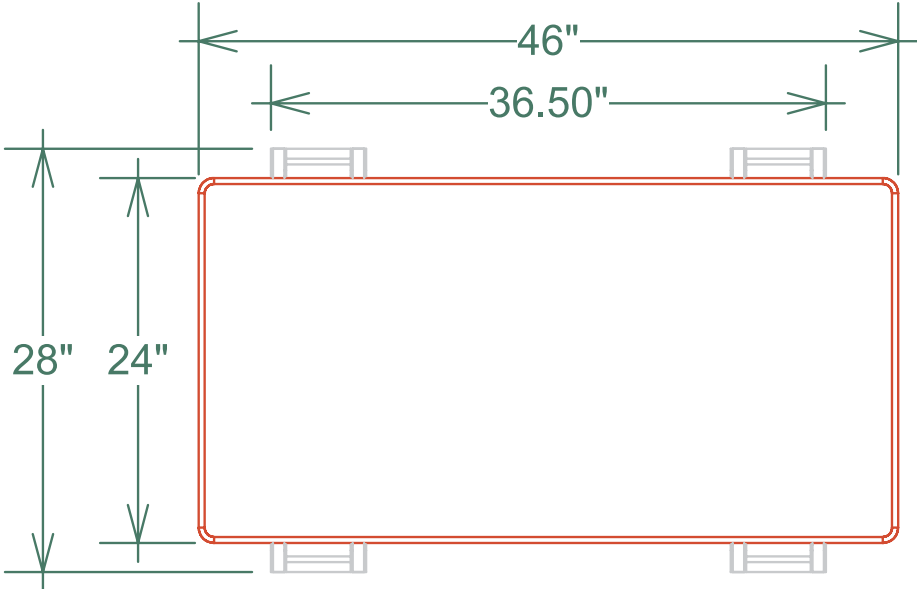
**BS:** Graphics mounted to back of truss system

Dye Sublimation graphics are attached to truss with velcro. UV panels are attached to truss with magnet.

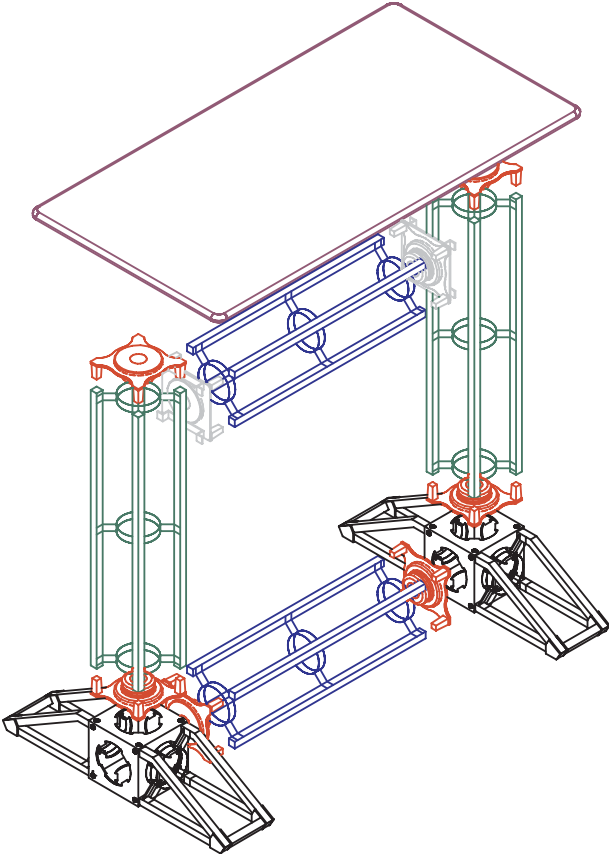
**To ensure quality, please note:**

Each graphic has a specific code or number located on the graphic. The electronic print files provided must be named accordingly. Using this coding system will allow us to preflight and prepare your files for print more efficiently. **If you fail to provide your graphic files in this format, additional charges may be necessary to complete your printed materials.**

RECTANGLE COUNTER DIMENSIONS:



RECTANGLE COUNTER COLOR CODED PARTS:



Parts exploded

