

ZENIT 20x20 ORBITAL TRUSS KIT

Have a Question?

Please contact support@tradeshowplus.com

The Zenit 20ft x 20ft Island Orbital Express Truss exhibit is a stunning "off-the-shelf" modular kit that is designed to attract a crowd at events, trade shows and more! Featuring a central tower measuring 12ft tall and accented by mirroring curved wings, Zenit is eye-catching and functional. A curved counter functions as a reception desk for visitors, and 12 low voltage spotlights illuminate and accent the exhibit. This versatile system can be reconfigured in multiple ways and combinations using the same parts. Graphic options include dye-sublimated fabric or UV printed rollable PVC graphics.



We are continually improving and modifying our product range and reserve the right to vary the specifications without prior notice. All dimensions and weights quoted are approximate and we accept no responsibility for variance. E&OE. See Graphic Templates for graphic bleed specifications.

FEATURES & BENEFITS

Kit Includes

24 x 6-way junction boxes
 2 x 24" straight truss lengths
 2 x 30" straight truss lengths
 10 x 36" straight truss lengths
 16 x 46" straight truss lengths
 20 x 90° curved truss lengths
 1 x Full set of quicklock connectors
 2 x junction bases
 1 x counter*
 1 x 24" internal shelf**
 12 x 12 watt LED spotlights
 1 x OCF2 molded case
 2 x OCT molded cases

- 20' x 20' kit size
- Custom appearance
- Toolless assembly
- Simple twist and lock design
- 5 year warranty against manufacturer defects

SHIPPING

Cases:

1 x OCF2 (51"L x 51"H x 23"D)
 2 x OCT (51"L x 48"H x 42"D) each

Shipping Weight:

1,000 lbs

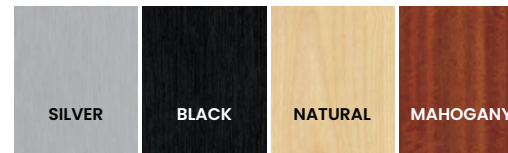
GRAPHICS

Refer to related graphic template for specific information on sizes and bleeds.

Visit:

<https://tradeshowplus.com>

COUNTER AND SHELF FINISHES




ADDITIONAL INFORMATION

*Counter max weight = 35 lbs


**Shelf max weight = 25 lbs

Countertop / Shelf color options: silver, black, mahogany, natural
 Graphic materials: Dye sublimated fabric or UV printed PVC panels
 Orbital Truss kiosk and furniture are not included in kit


ZENIT PIECE COUNT:



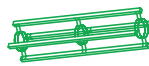
OR-J-3
24



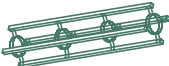
OR-J-DBL
0



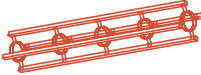
OR-24-2
2




OR-30-2
2




OR-36-2
10



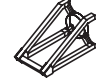
OR-46-2
16



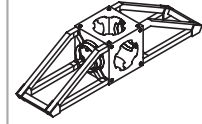
OR-45-CV-3
0



OR-90-CV-2
20



OR-B90
0




OR-B90A
2




OR-B45
0




OR-TOOL-B
3




OR-QL-T2J
78



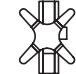
OR-QL-T2T
10



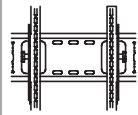
OR-UNC-QL
2



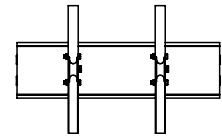
OR-STG
0



OR-LCD1-B
0



OR-LCD2-B
0




OR-LCD3-B
0




SPOTLIGHT
12




OR-TBL
0




OR-TBL2-L
0




OR-TBL2-R
0




OR-IS-24 1




OR-IS-36 0




OR-IS-46 0




OR-IS-48 0



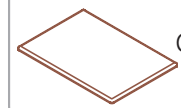
OR-CIS-90
0



OR-SE-IS-90
0

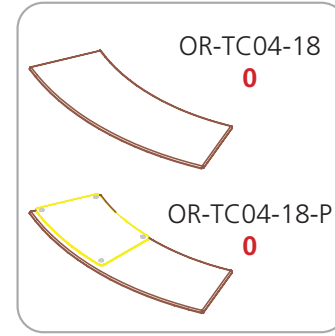
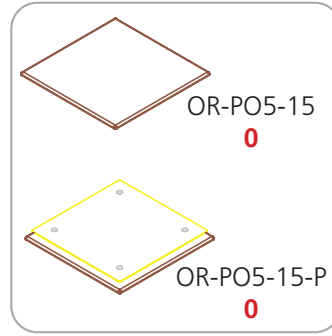
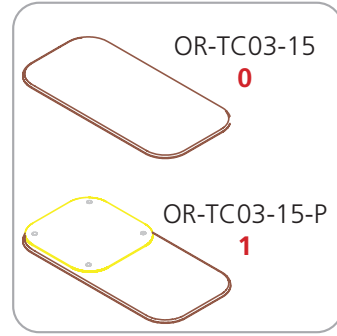
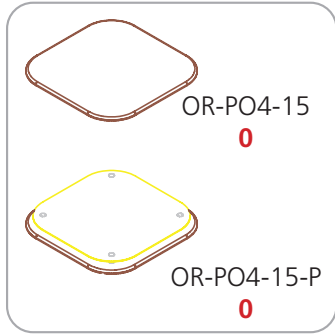
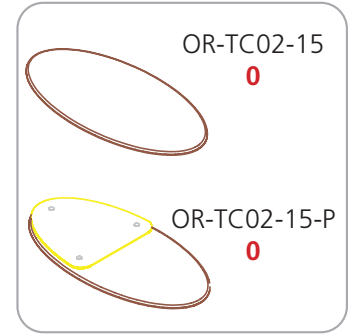
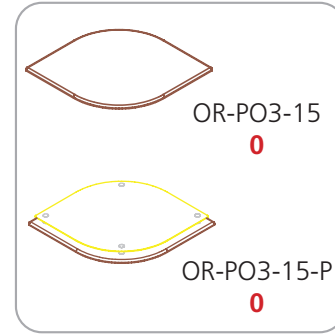
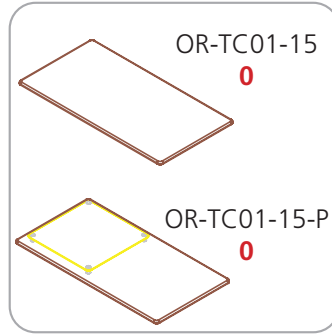
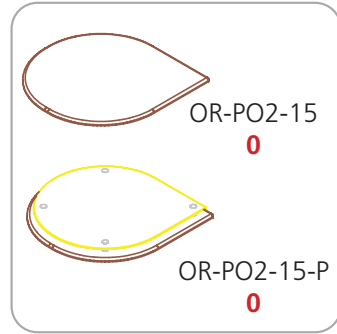
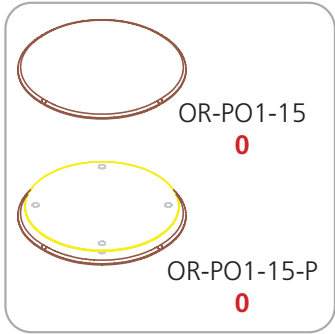


OR-CIS-45
0

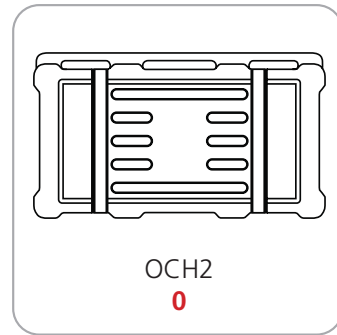
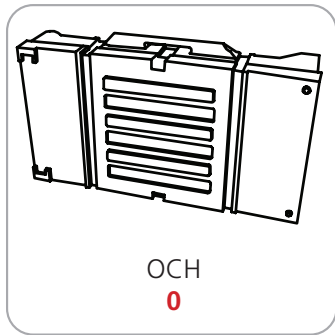
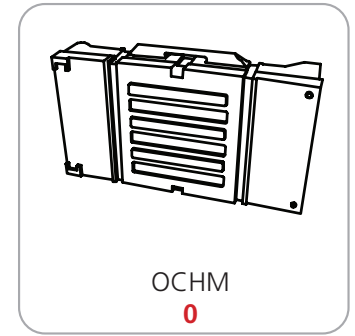
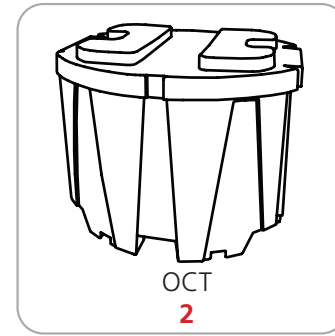
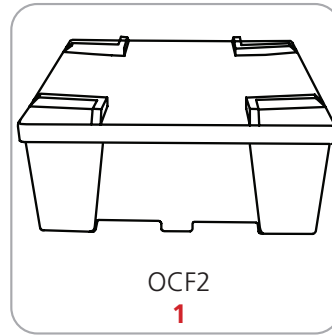
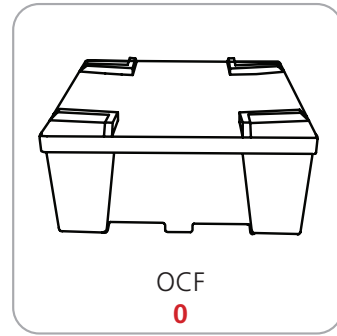
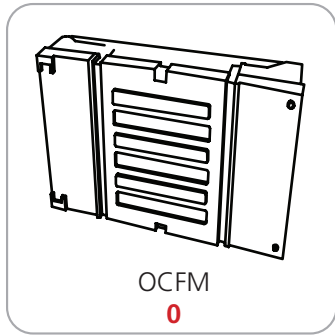


OR-ATL-CNTR
0

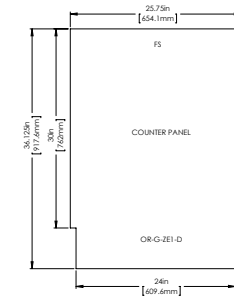
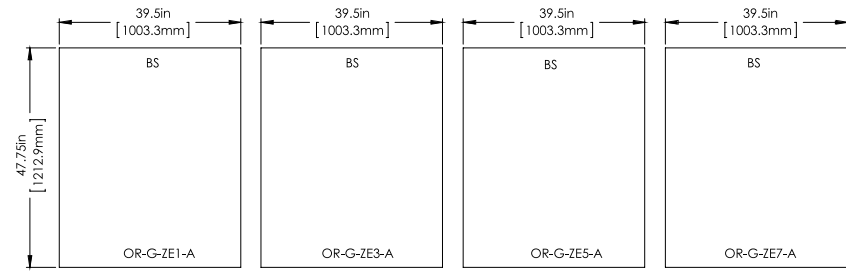
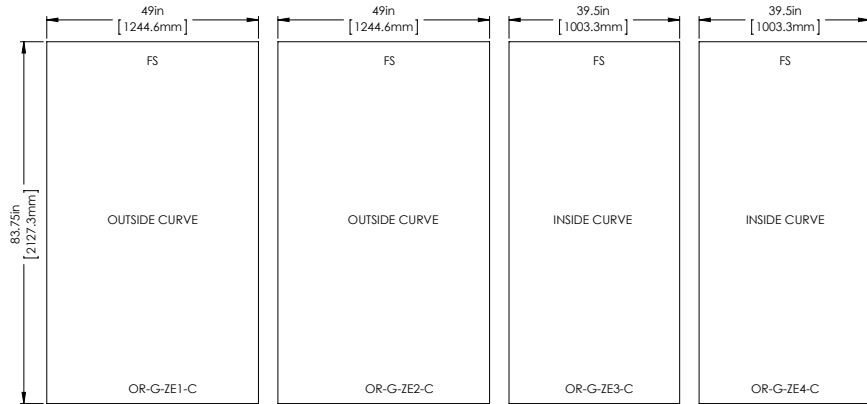
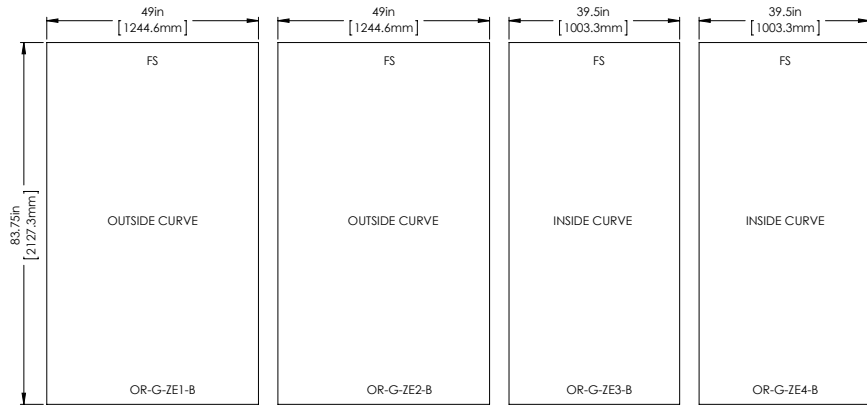
ZENIT TABLETOP ACCESSORY PIECE COUNT:



ZENIT CASE COUNT:



**ZENIT GRAPHIC SPECS:
AVAILABLE GRAPHICS – UV & DYE SUBLIMATION**



Acceptable File formats:

Illustrator CC or below
Photoshop CC or below
Art time will be charged if files need to be fixed or altered to meet guidelines. When sending files please be sure to include all support art (fonts, linked images, etc.)

Font Specifications:

Fonts must be converted to outlines.

Bleeds:

All orbital truss graphics require specific bleeds. The sizes listed above represent the finished graphic size. Please keep all logos, type and critical information at least 1" in from each edge of the finished graphic.

Dye Sublimation: 2" bleed around the perimeter.

UV: 1/2" bleed around the perimeter.

Color:

All files are printed as CMYK format. All critical Pantone colors need to be called out in the file or specified on the order as Coated or Uncoated swatches.

Resolution:

All raster files (either print files or linked files) must be at 100-120 pixels per inch at 100%

Finishing Details:

When graphics are notched, a 7/8" square is cut in the appropriate location.

FS: Graphics mounted to front of truss system

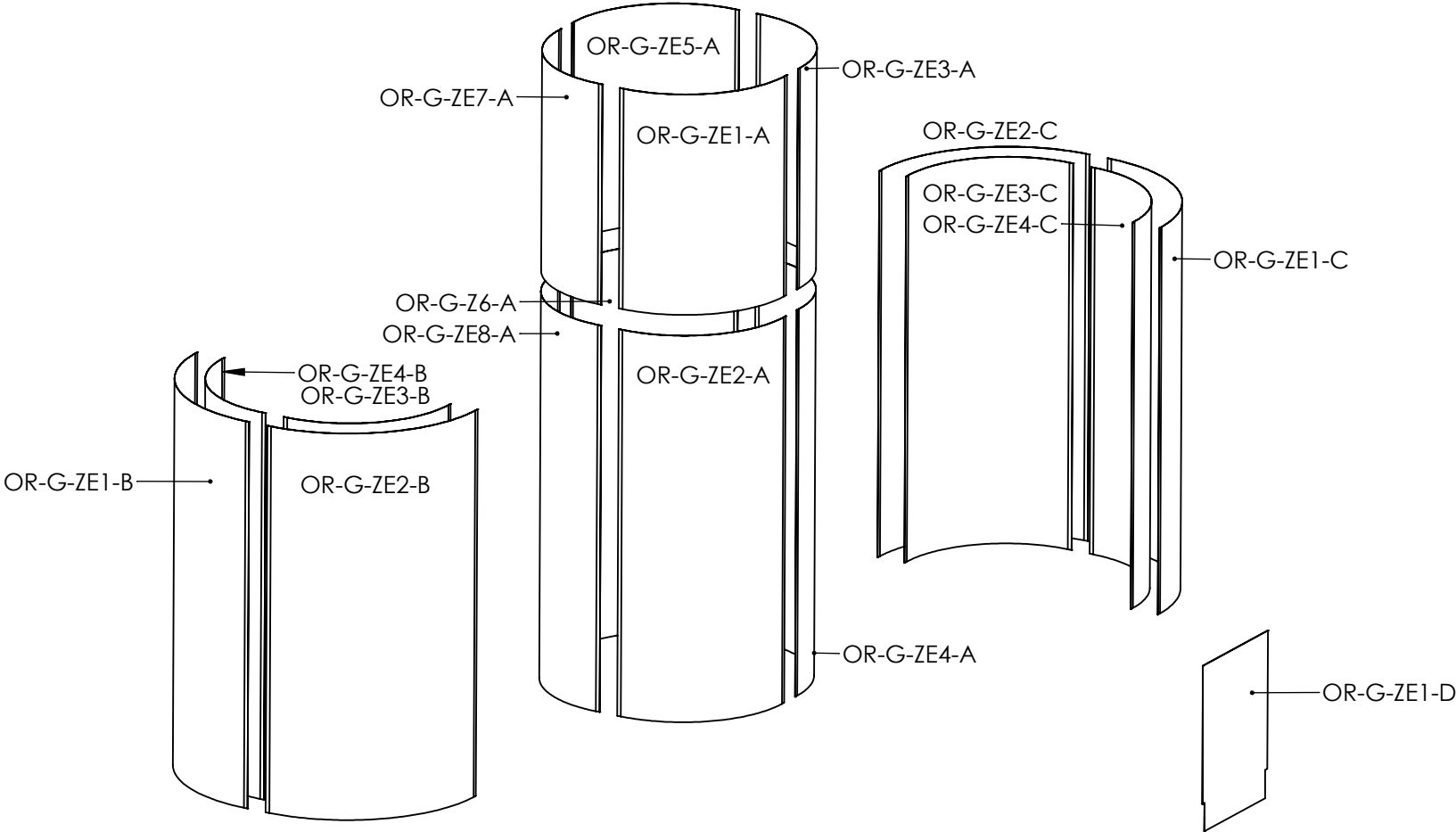
BS: Graphics mounted to back of truss system

Dye Sublimation graphics are attached to truss with velcro. UV panels are attached to truss with magnet.

To ensure quality, please note:

Each graphic has a specific code or number located on the graphic. The electronic print files provided must be named accordingly. Using this coding system will allow us to preflight and prepare your files for print more efficiently. **If you fail to provide your graphic files in this format, additional charges may be necessary to complete your printed materials.**

ZENIT GRAPHIC LAYOUT:

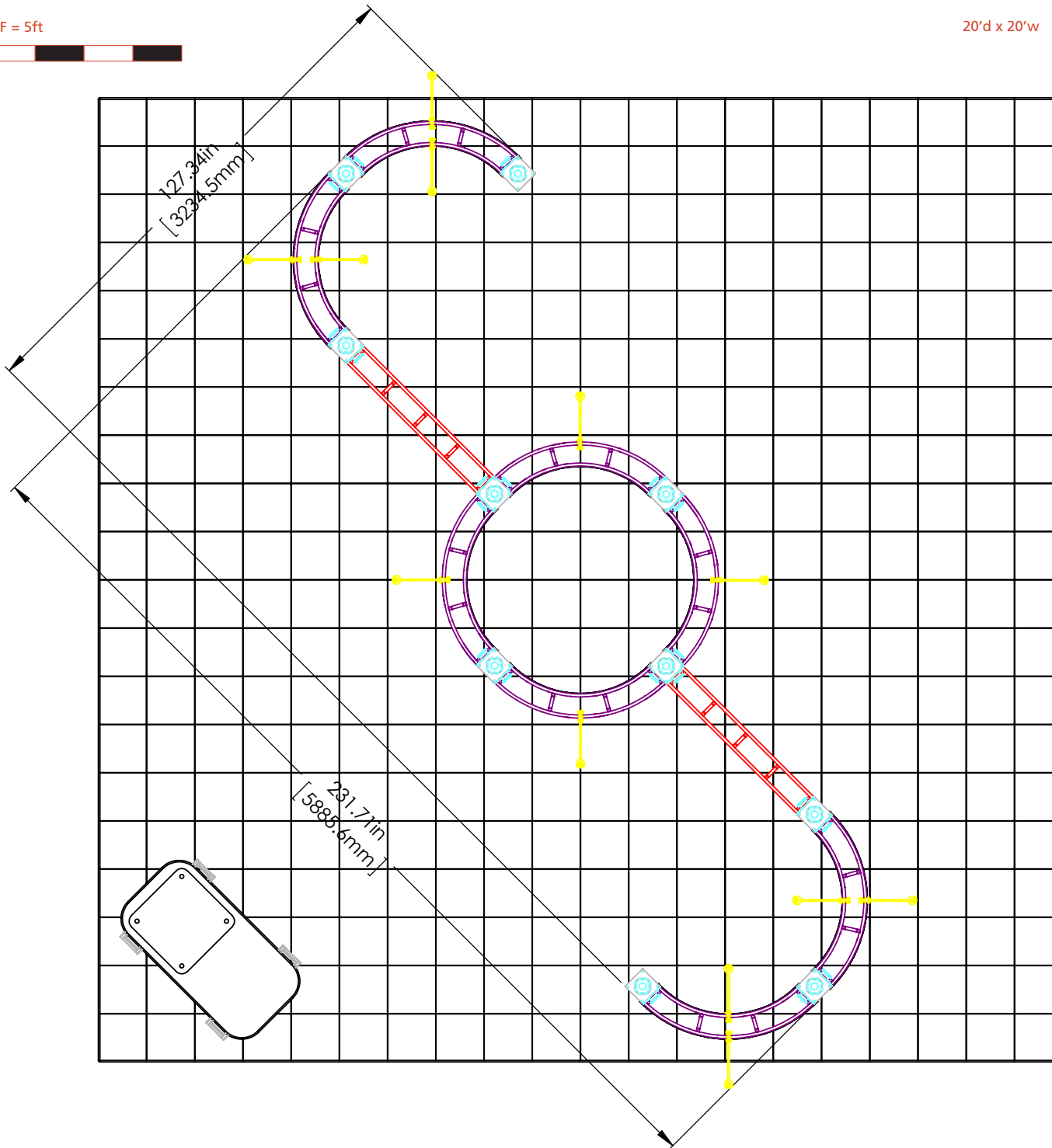


ZENIT FLOOR PLAN:

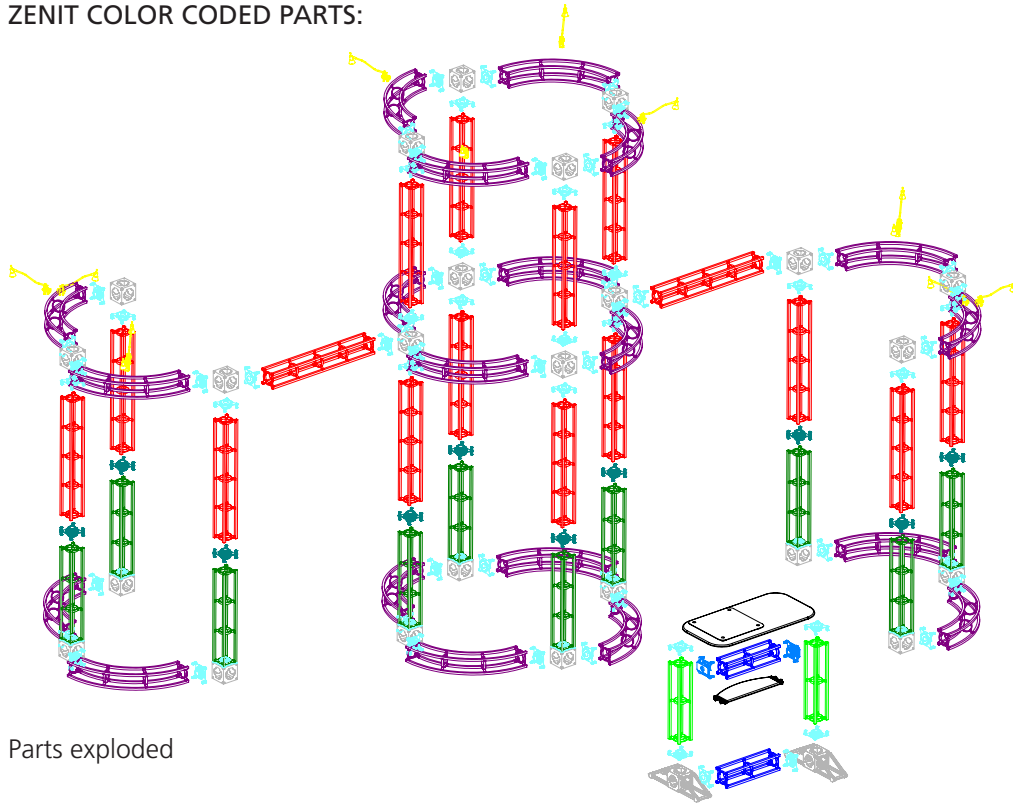
SCALE REF = 5ft



20'd x 20'w



ZENIT COLOR CODED PARTS:



Parts exploded

