

## SIRIUS 10x10 ORBITAL TRUSS KIT

**Have a Question?**

Please contact [support@tradeshowplus.com](mailto:support@tradeshowplus.com)

The Sirius 10ft x 10ft inline Orbital Express Truss™ exhibit is an attractive off-the-shelf modular display kit. A curved central panel is accented by two straight wing accents for a uniquely-shaped, eye-catching appearance. Dual tabletops provide additional space for display or discussion, and the backwall is illuminated by three low voltage spotlights. Sirius Truss is a versatile display that can be reconfigured into multiple display combinations. Choose from dye-sublimated fabric or UV printed rollable PVC graphics. Can also ship in an OCF motor freight case.



We are continually improving and modifying our product range and reserve the right to vary the specifications without prior notice. All dimensions and weights quoted are approximate and we accept no responsibility for variance. E&OE. See Graphic Templates for graphic bleed specifications.

### FEATURES & BENEFITS

#### Kit Includes

8 x 6-way junction boxes  
8 x 36" straight truss lengths  
4 x 46" straight truss lengths  
2 x 90° curved truss lengths  
1 x full set of quicklock connectors  
2 x adjustable tabletops\*  
3 x Lumina 1, 50 watt spotlights  
1 x OCF molded case

- 10' x 10' kit size
- Custom appearance
- Toolless assembly
- Simple twist and lock design
- 5 year warranty against manufacturer defects

### DIMENSIONS

#### Assembled unit :

111.37" w x 95" h x 52.14" d

#### Cases:

(1) OCF: 51"L x 39"W x 24"D

#### Shipping Weight:

280 lbs

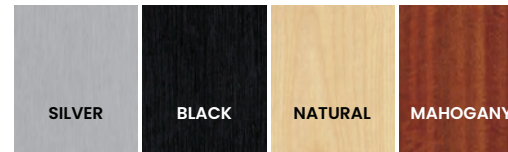
### GRAPHICS

Refer to related graphic template for specific information on sizes and bleeds. Dye-sublimated graphic require different bleed than UV.

#### Visit:

<https://tradeshowplus.com>

### COUNTER AND SHELF FINISHES





### ADDITIONAL INFORMATION


\*Tabletop max weight = 25 lbs

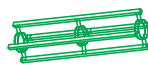
\*Tabletop color options: silver, black, mahogany, natural

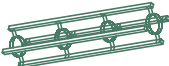
SIRIUS PIECE COUNT:

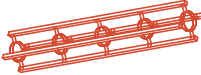
 OR-J-3  
8


 OR-J-DBL  
0


 OR-24-2  
0

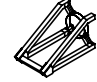
 OR-30-2  
0

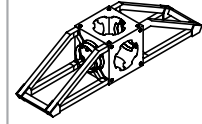
 OR-36-2  
8

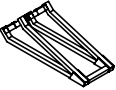
 OR-46-2  
4


 OR-45-CV-3  
0


 OR-90-CV-2  
2


 OR-B90  
0


 OR-B90A  
0

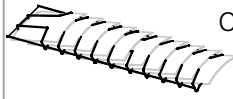
 OR-B45  
0

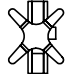
 OR-TOOL-B  
1

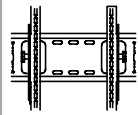
 OR-QL-T2J  
21

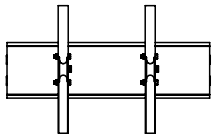
 OR-QL-T2T  
5

 OR-UC-QL  
0

 OR-STG  
0


 OR-LCD1-B  
0


 OR-LCD2-B  
0


 OR-LCD3-B  
0


 SPOTLIGHT  
3


 OR-TBL  
2


 OR-TBL2-L  
0


 OR-TBL2-R  
0


 OR-IS-24 0


 OR-IS-36 0

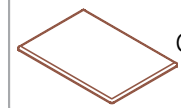
 OR-IS-46 0

 OR-IS-48 0

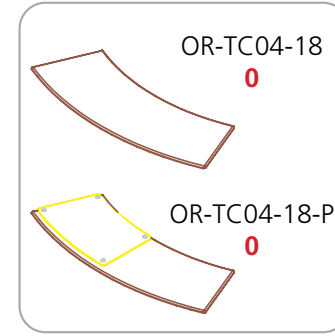
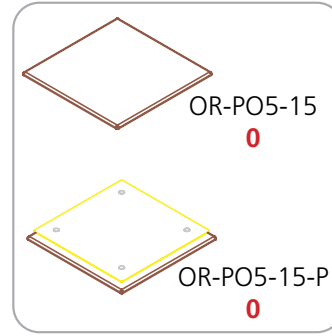
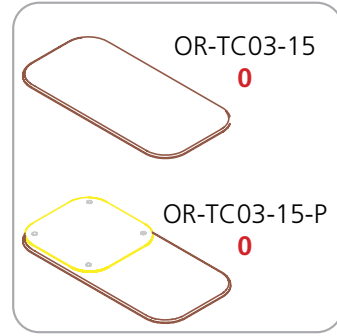
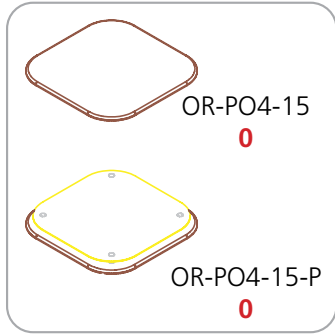
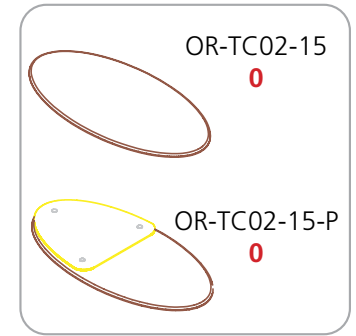
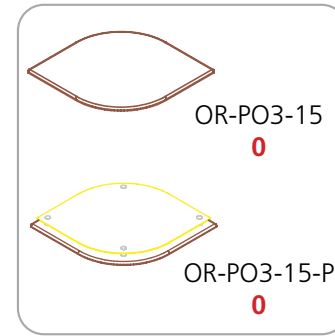
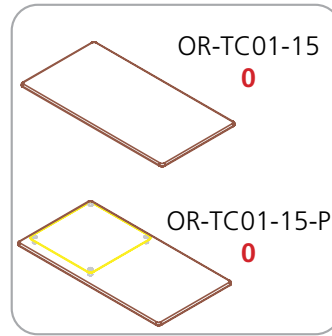
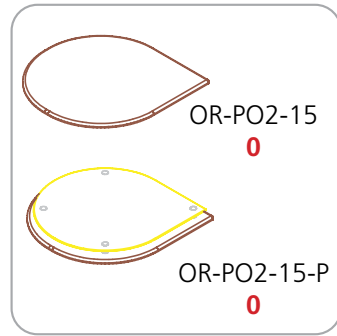
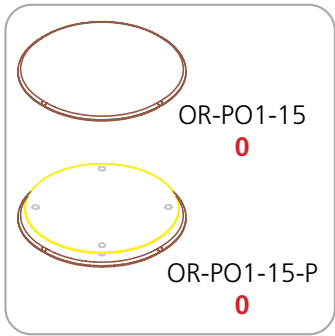
 OR-CIS-90  
0

 OR-SE-IS-90  
0

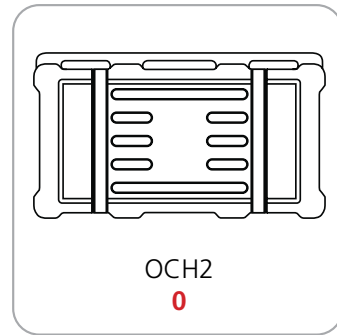
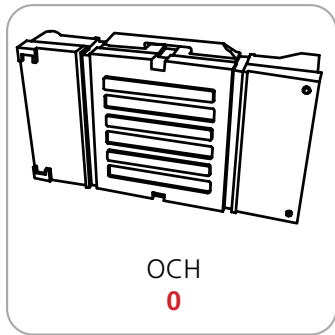
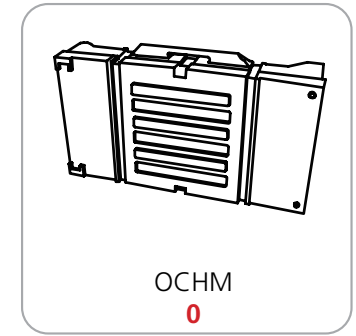
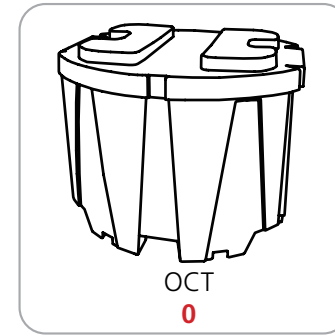
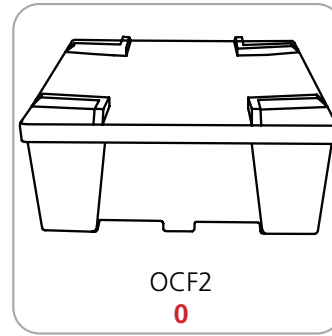
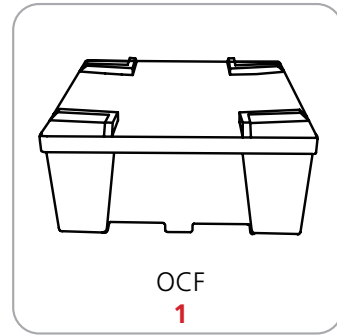
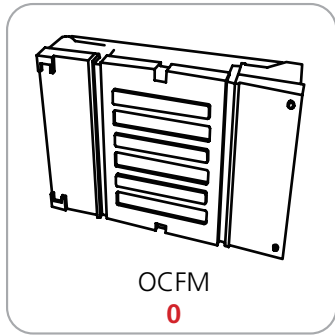
 OR-CIS-45  
0

 OR-ATL-CNTR  
0

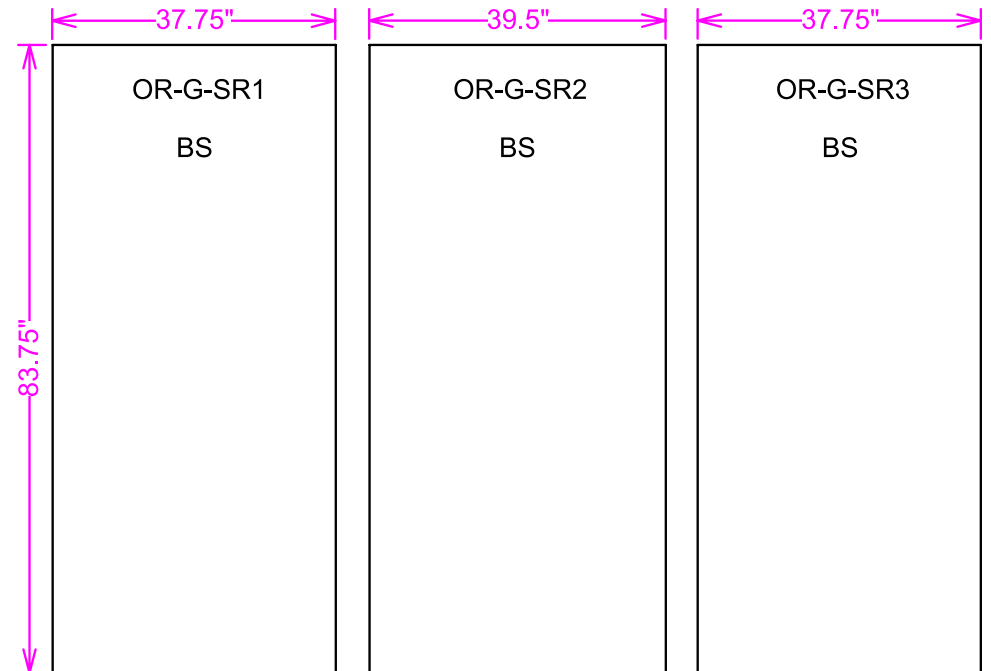
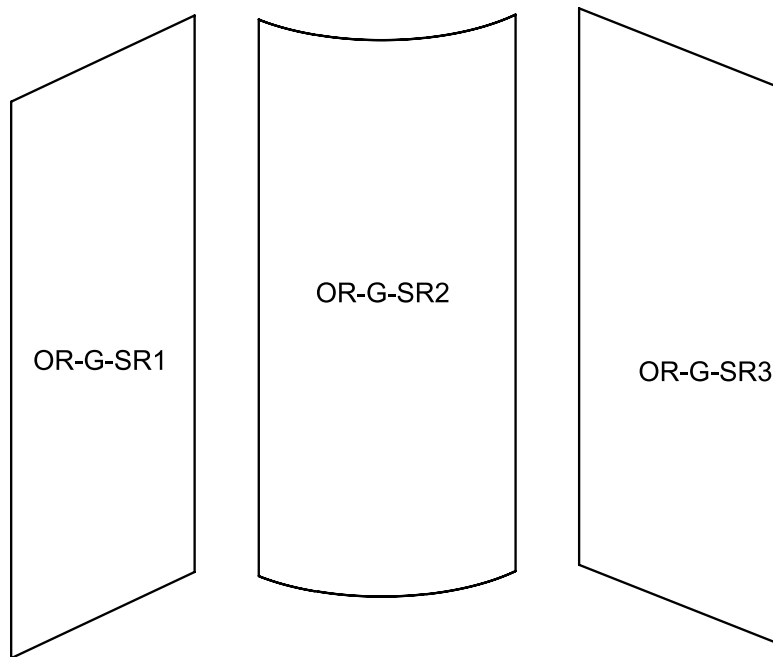
SIRIUS TABLETOP ACCESSORY PIECE COUNT:



SIRIUS CASE COUNT:



**SIRIUS GRAPHIC SPECS:  
AVAILABLE GRAPHICS – UV & DYE SUBLIMATION**



**Acceptable File formats:**

Illustrator CS6 or below  
Photoshop CS6 or below  
Art time will be charged if files need to be fixed or altered to meet guidelines. When sending files please be sure to include all support art (fonts, linked images, etc.)

**Font Specifications:**

Fonts must be converted to outlines.

**Bleeds:**

All orbital truss graphics require specific bleeds. The sizes listed above represent the finished graphic size. Please keep all logos, type and critical information at least 1" in from each edge of the finished graphic.

**Dye Sublimation:** 2" bleed around the perimeter.

**UV:** 1/2" bleed around the perimeter.

**Color:**

All files are printed as CMYK format. All critical Pantone colors need to be called out in the file or specified on the order as Coated or Uncoated swatches.

**Resolution:**

All raster files (either print files or linked files) must be at 100-120 pixels per inch at 100%

**Finishing Details:**

When graphics are notched, a 7/8" square is cut in the appropriate location.

**FS:** Graphics mounted to front of truss system

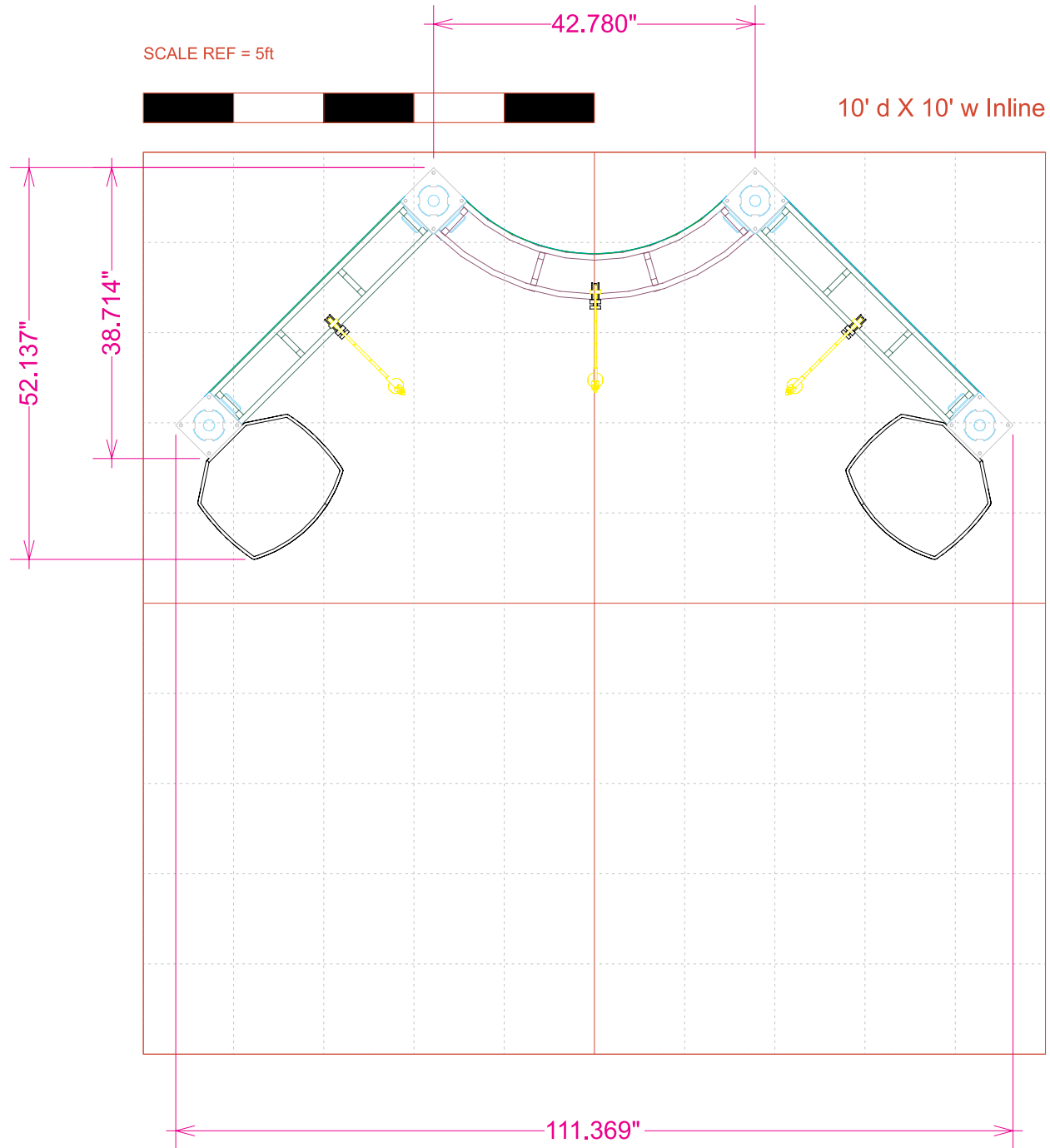
**BS:** Graphics mounted to back of truss system

Dye Sublimation graphics are attached to truss with velcro. UV panels are attached to truss with magnet.

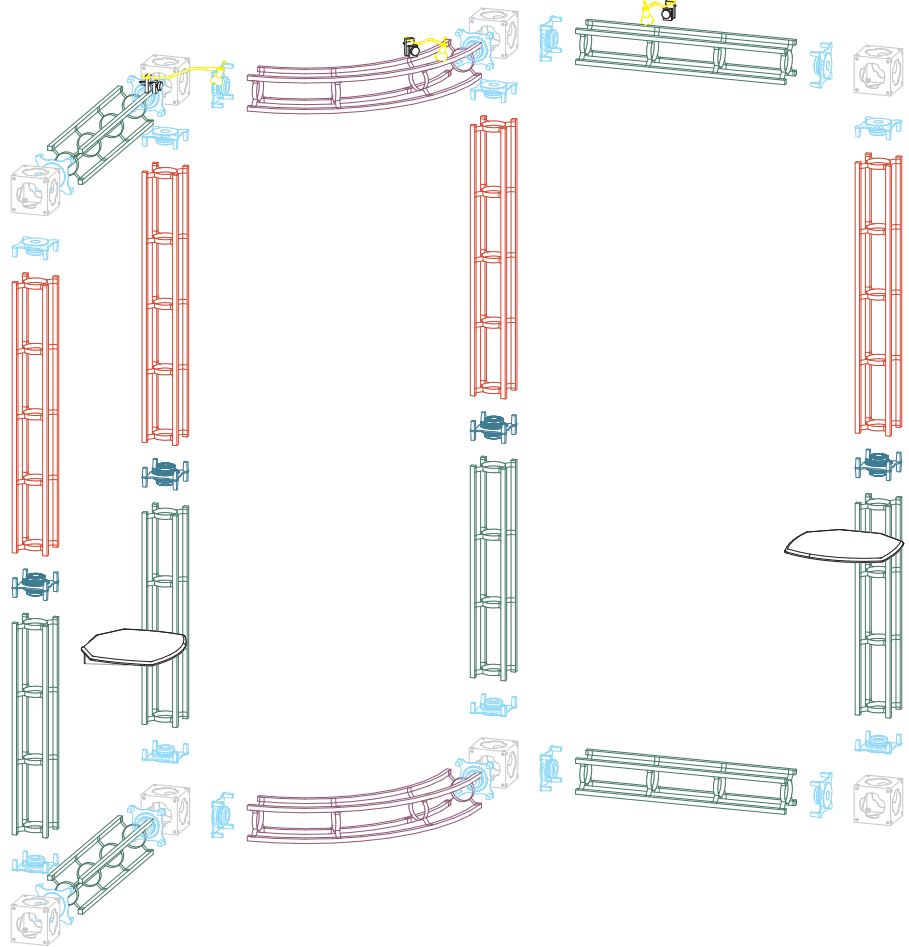
**To ensure quality, please note:**

Each graphic has a specific code or number located on the graphic. The electronic print files provided must be named accordingly. Using this coding system will allow us to preflight and prepare your files for print more efficiently. **If you fail to provide your graphic files in this format, additional charges may be necessary to complete your printed materials.**

SIRIUS FLOOR PLAN:



SIRIUS COLOR CODED PARTS:



Parts exploded

