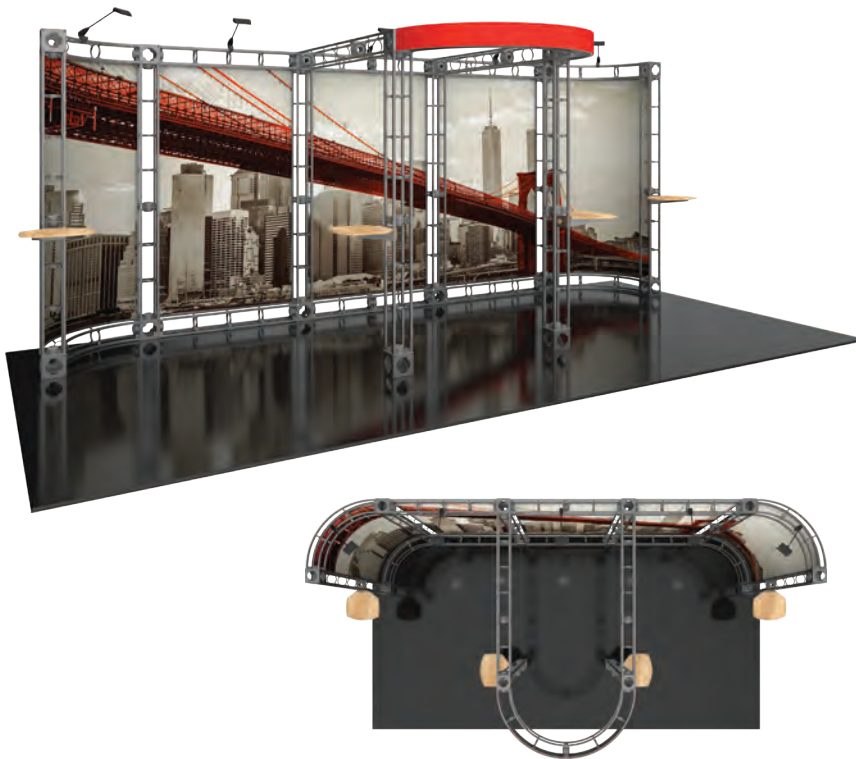


POLARIS 10x20 ORBITAL TRUSS KIT

Have a Question?

Please contact support@tradeshowplus.com

The Polaris 10ft x 20ft inline Orbital Express Truss exhibit is a sleek, stylish modular display kit that combines a sturdy steel truss frame with state-of-the-art custom graphics. The curved edges of the backwall provide additional messaging and display opportunities, and a projecting curved header section ensures your brand is visible on the show floor. Four tabletops attached to the backwall allow for small meeting spaces or display opportunities, and the backwall is illuminated by five low voltage spotlights. This versatile system can be reconfigured in multiple ways and combinations using the same parts. Optional dye-sublimated fabric or UV printed rollable PVC graphics.



FEATURES & BENEFITS

Kit Includes

- 16 x 6-way junction boxes
- 6 x 24" straight truss lengths
- 8 x 36" straight truss lengths
- 14 x 46" straight truss lengths
- 6 x 90° curved truss lengths
- 1 x full set of quick-lock connectors
- 4 x adjustable tabletops*
- 5 x 12 watt LED spotlights
- 1 x OCF molded case
- 1 x OCT molded case

- 10' x 20' kit size
- Custom appearance
- Toolless assembly
- Simple twist and lock design
- 5 year warranty against manufacturer defects

DIMENSIONS

Assembled unit :
225"w x 95"h x 107"d

Cases:
1 x OCF (51"L x 39"H x 24"D)
1 x OCT (51"L x 48"H x 42"D)

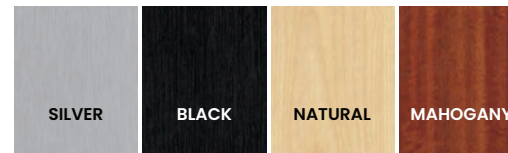
Shipping Weight:
760 lbs

GRAPHICS

Refer to related graphic template for specific information on sizes and bleeds.

Visit:
<https://tradeshowplus.com>

COUNTER AND SHELF FINISHES




ADDITIONAL INFORMATION


*Tabletop max weight = 25 lbs
Tabletop color options: silver, black, mahogany, natural

We are continually improving and modifying our product range and reserve the right to vary the specifications without prior notice. All dimensions and weights quoted are approximate and we accept no responsibility for variance. E&OE. See Graphic Templates for graphic bleed specifications.


POLARIS PIECE COUNT:




OR-J-3
16



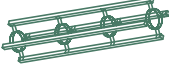
OR-J-DBL
0



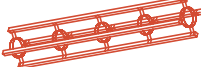
OR-24-2
6




OR-30-2
0




OR-36-2
8



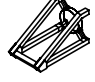
OR-46-2
14



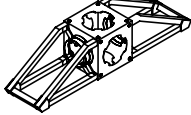
OR-45-CV-3
0



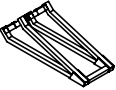
OR-90-CV-2
6




OR-B90
0




OR-B90A
0




OR-B45
0




OR-TOOL-B
2



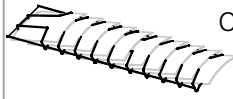
OR-QL-T2J
44



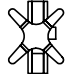
OR-QL-T2T
15



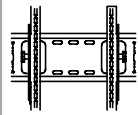
OR-UC-QL
0



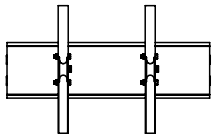
OR-STG
0



OR-LCD1-B
0



OR-LCD2-B
0




OR-LCD3-B
0




SPOTLIGHT
5




OR-TBL
4




OR-TBL2-L
0




OR-TBL2-R
0




OR-IS-24 0




OR-IS-36 0




OR-IS-46 0




OR-IS-48 0



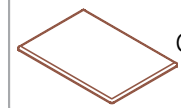
OR-CIS-90
0



OR-SE-IS-90
0

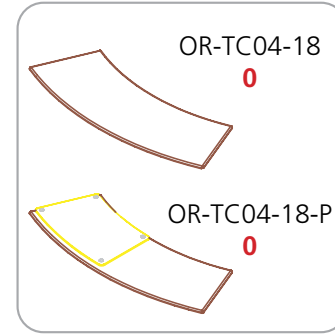
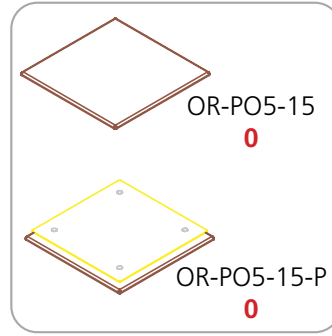
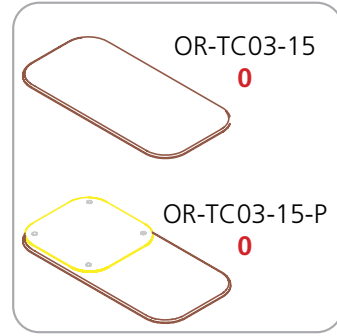
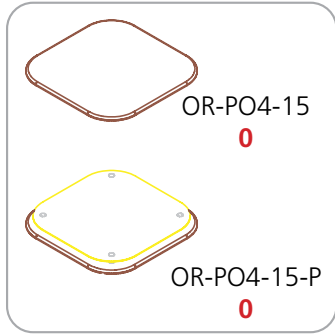
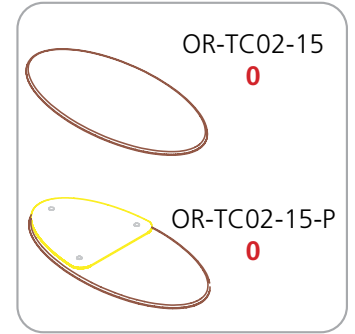
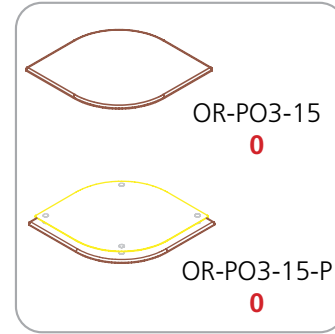
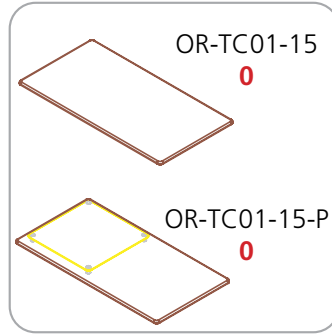
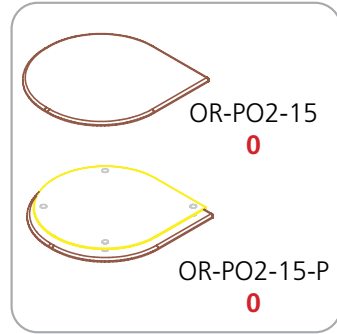
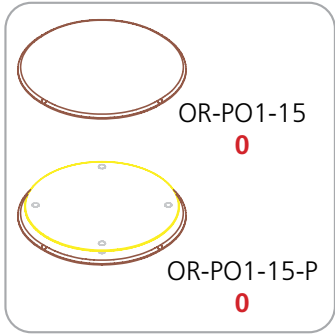


OR-CIS-45
0

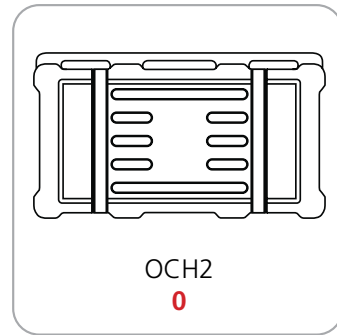
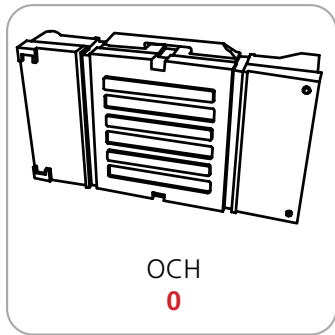
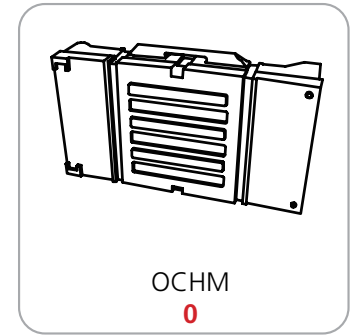
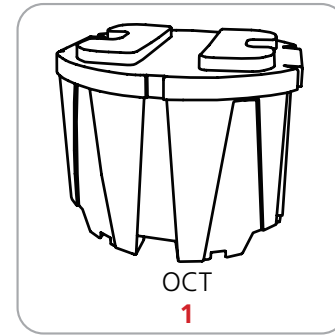
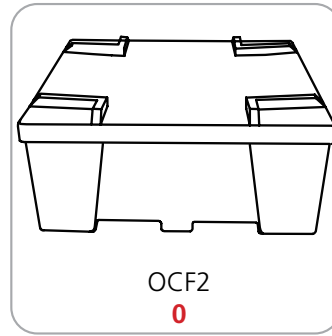
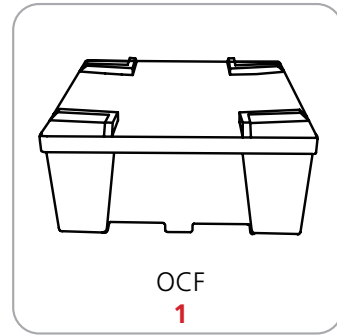
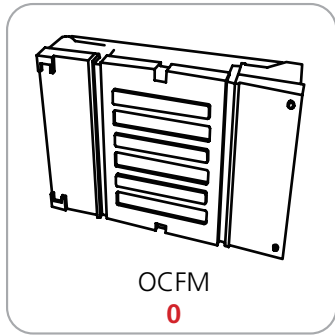


OR-ATL-CNTR
0

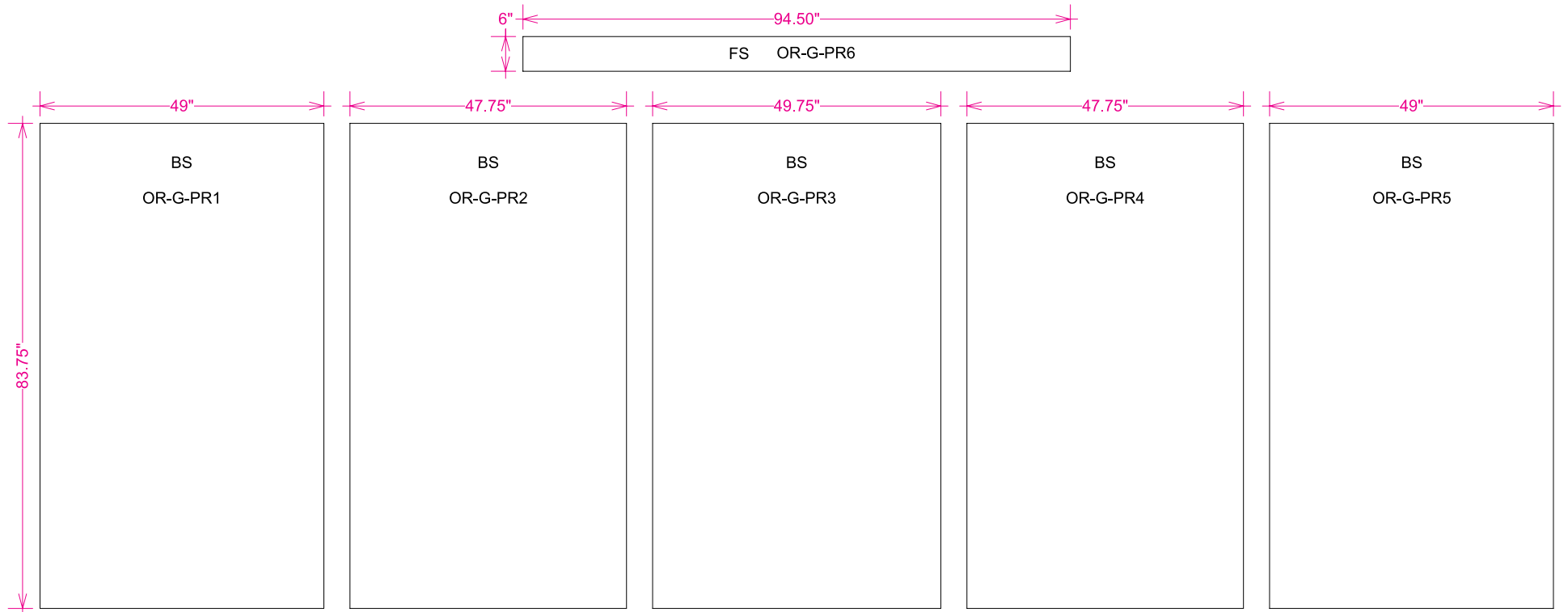
POLARIS TABLETOP ACCESSORY PIECE COUNT:



POLARIS CASE COUNT:



**POLARIS GRAPHIC SPECS:
AVAILABLE GRAPHICS – UV & DYE SUBLIMATION**



Acceptable File formats:

Illustrator CS6 or below
Photoshop CS6 or below
Art time will be charged if files need to be fixed or altered to meet guidelines. When sending files please be sure to include all support art (fonts, linked images, etc.)

Font Specifications:

Fonts must be converted to outlines.

Bleeds:

All orbital truss graphics require specific bleeds. The sizes listed above represent the finished graphic size. Please keep all logos, type and critical information at least 1" in from each edge of the finished graphic.

Dye Sublimation: 2" bleed around the perimeter.

UV: 1/2" bleed around the perimeter.

Color:

All files are printed as CMYK format. All critical Pantone colors need to be called out in the file or specified on the order as Coated or Uncoated swatches.

Resolution:

All raster files (either print files or linked files) must be at 100-120 pixels per inch at 100%

Finishing Details:

When graphics are notched, a 7/8" square is cut in the appropriate location.

FS: Graphics mounted to front of truss system

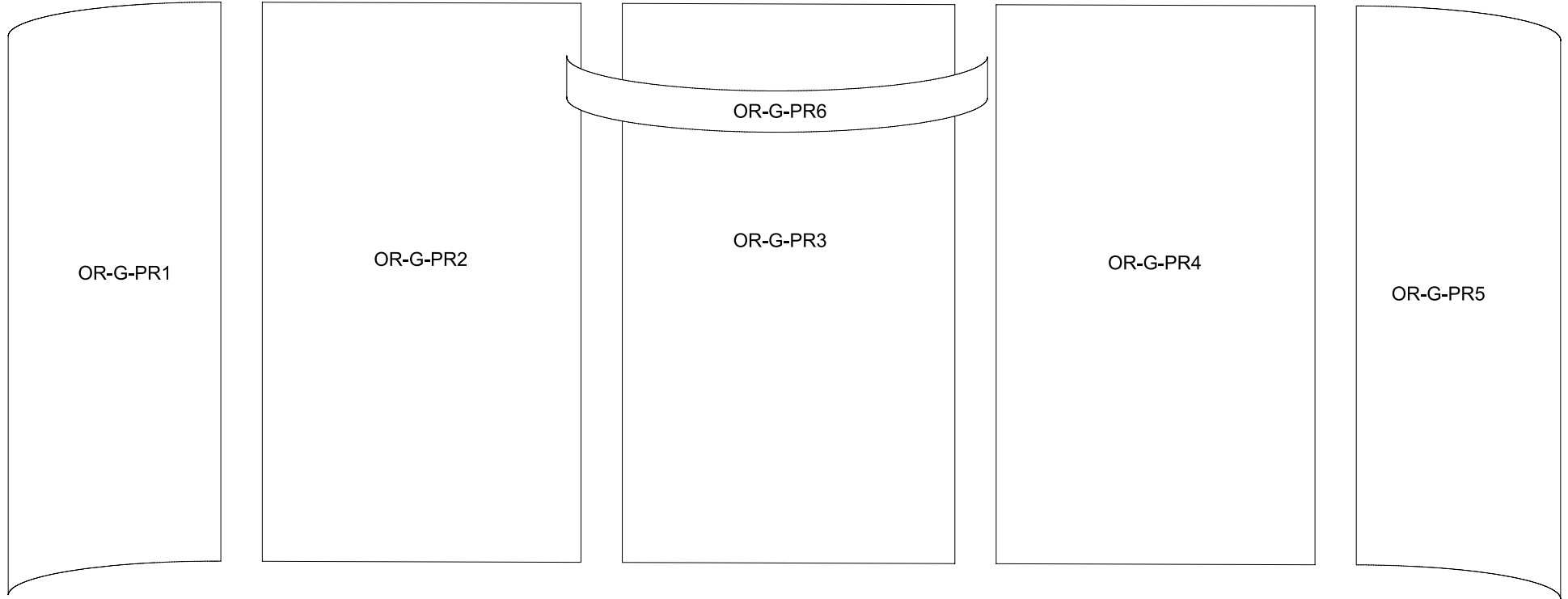
BS: Graphics mounted to back of truss system

Dye Sublimation graphics are attached to truss with velcro. UV panels are attached to truss with magnet.

To ensure quality, please note:

Each graphic has a specific code or number located on the graphic. The electronic print files provided must be named accordingly. Using this coding system will allow us to preflight and prepare your files for print more efficiently. **If you fail to provide your graphic files in this format, additional charges may be necessary to complete your printed materials.**

**POLARIS GRAPHIC SPECS:
AVAILABLE GRAPHICS – UV & DYE SUBLIMATION**



Acceptable File formats:

Illustrator CS6 or below
Photoshop CS6 or below
Art time will be charged if files need to be fixed or altered to meet guidelines. When sending files please be sure to include all support art (fonts, linked images, etc.)

Font Specifications:

Fonts must be converted to outlines.

Bleeds:

All orbital truss graphics require specific bleeds. The sizes listed above represent the finished graphic size. Please keep all logos, type and critical information at least 1" in from each edge of the finished graphic.

Dye Sublimation: 2" bleed around the perimeter.

UV: 1/2" bleed around the perimeter.

Color:

All files are printed as CMYK format. All critical Pantone colors need to be called out in the file or specified on the order as Coated or Uncoated swatches.

Resolution:

All raster files (either print files or linked files) must be at 100-120 pixels per inch at 100%

Finishing Details:

When graphics are notched, a 7/8" square is cut in the appropriate location.

FS: Graphics mounted to front of truss system

BS: Graphics mounted to back of truss system

Dye Sublimation graphics are attached to truss with velcro. UV panels are attached to truss with magnet.

To ensure quality, please note:

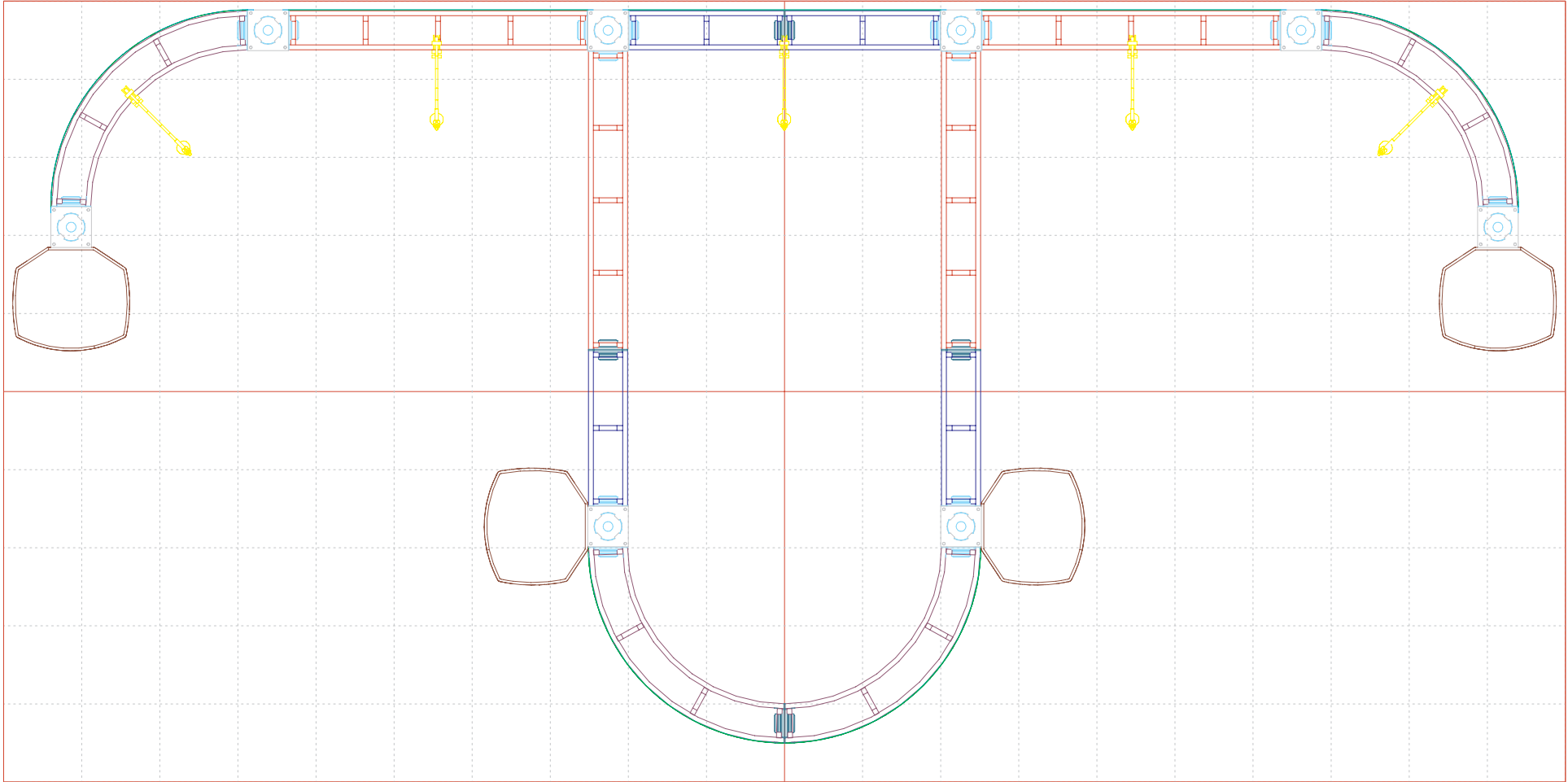
Each graphic has a specific code or number located on the graphic. The electronic print files provided must be named accordingly. Using this coding system will allow us to preflight and prepare your files for print more efficiently. **If you fail to provide your graphic files in this format, additional charges may be necessary to complete your printed materials.**

POLARIS FLOOR PLAN:

SCALE REF = 5ft



10' d X 20' w Inline



POLARIS COLOR CODED PARTS:

