

## ORBEA 10x20 ORBITAL TRUSS KIT

**Have a Question?**

Please contact [support@tradeshowplus.com](mailto:support@tradeshowplus.com)

The Orbea 10ft x 20ft inline Orbital Express Truss exhibit is a modular display kit that couples a durable steel truss frame with state-of-the-art graphics and display accessories. A convex curved center panel displays a seamless dye-sublimated fabric graphic, and is accented by two curved wings featuring adjustable internal shelving. A curved counter adds space for greeting visitors, and seven low voltage spotlights illuminate the exhibit. This versatile system can be reconfigured in multiple ways and combinations using the same parts.



We are continually improving and modifying our product range and reserve the right to vary the specifications without prior notice. All dimensions and weights quoted are approximate and we accept no responsibility for variance. E&OE. See Graphic Templates for graphic bleed specifications.

### FEATURES & BENEFITS

#### Kit Includes

16 x 6-way junction boxes  
6 x 24" straight truss lengths  
2 x 30" straight truss lengths  
8 x 36" straight truss lengths  
8 x 46" straight truss lengths  
6 x 45° curved truss lengths  
4 x 90° curved truss lengths  
full sets of quicklock connectors  
2 x junction bases  
1 x curved counter\*  
4 x 24" internal shelves\*  
7 x 12 watt LED spotlights  
2 x OCF2 molded cases  
1 x OCH2 molded case

- 10' x 20' kit size
- Custom appearance
- Toolless assembly
- Simple twist and lock design
- 5 year warranty against manufacturer defects

### SHIPPING

#### Assembled unit :

Display: 240"w x 95"h x 36"d  
Counter: 61"w x 37"h x 28"d

#### Cases:

1 x OCH2 (52"L x 29"H x 15"D)  
2 x OCF2 (51"L x 51"H x 23"D) each

#### Shipping Weight:

610 lbs

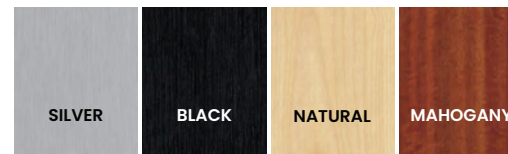
### GRAPHICS

Refer to related graphic template for specific information on sizes and bleeds.

#### Visit:

<https://tradeshowplus.com>

### COUNTER AND SHELF FINISHES




### ADDITIONAL INFORMATION


\*shelf max weight = 25 lbs | counter max weight = 35 lbs


\*shelf/countertop color options: silver, black, mahogany, natural


\*multimedia ipad holders shown are not included

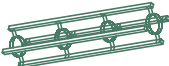
ORBEA PIECE COUNT:

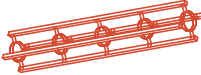
 OR-J-3  
16


 OR-J-DBL  
0


 OR-24-2  
6

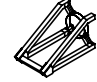
 OR-30-2  
2

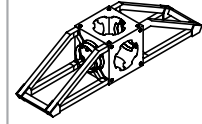
 OR-36-2  
8

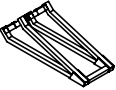
 OR-46-2  
8


 OR-45-CV-3  
6


 OR-90-CV-2  
4


 OR-B90  
0


 OR-B90A  
2

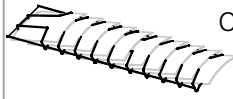
 OR-B45  
0

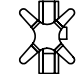
 OR-TOOL-B  
2

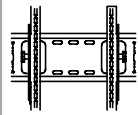
 OR-QL-T2J  
50

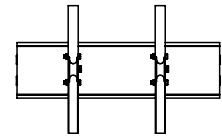
 OR-QL-T2T  
8

 OR-UNC-QL  
2

 OR-STG  
0


 OR-LCD1-B  
0


 OR-LCD2-B  
0


 OR-LCD3-B  
0


 SPOTLIGHT  
7


 OR-TBL  
0


 OR-TBL2-L  
0


 OR-TBL2-R  
0


 OR-IS-24 4


 OR-IS-36 0

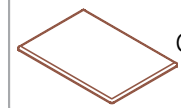
 OR-IS-46 0

 OR-IS-48 0

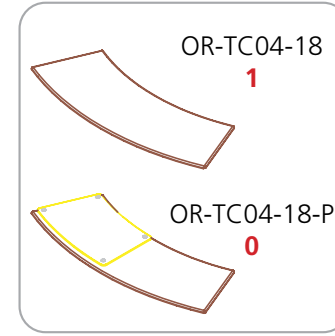
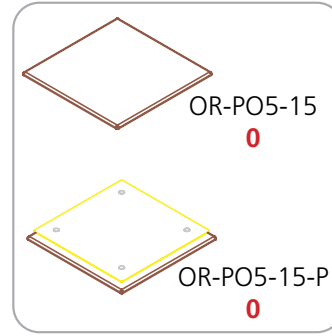
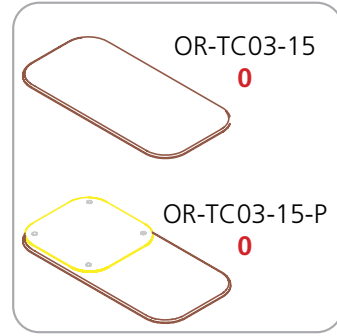
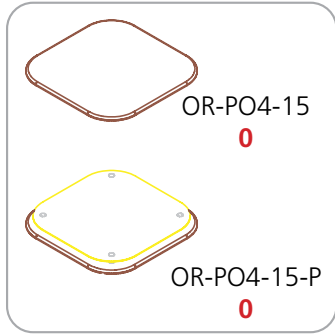
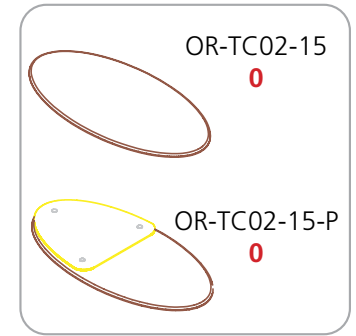
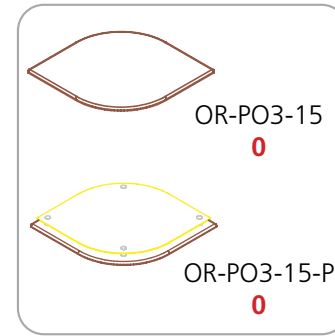
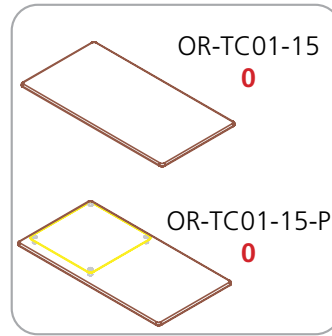
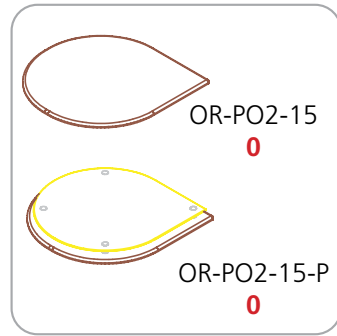
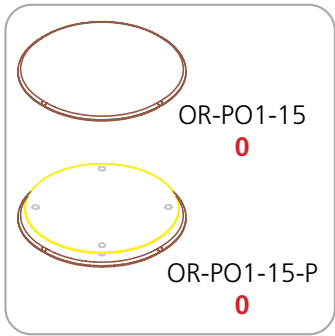
 OR-CIS-90  
0

 OR-SE-IS-90  
0

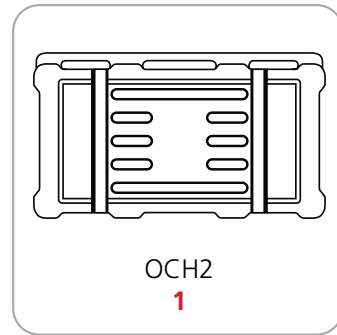
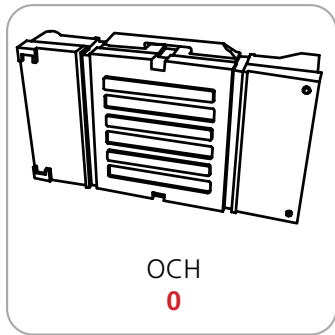
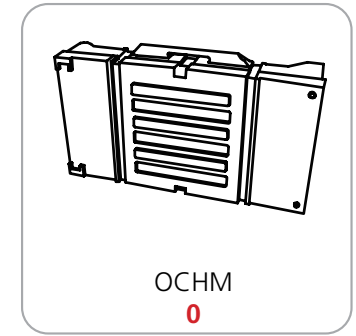
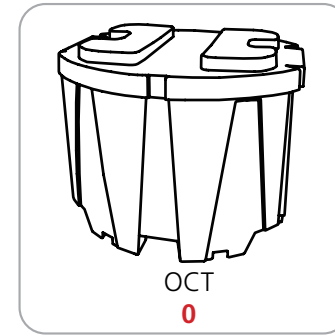
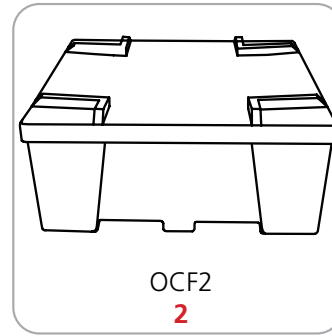
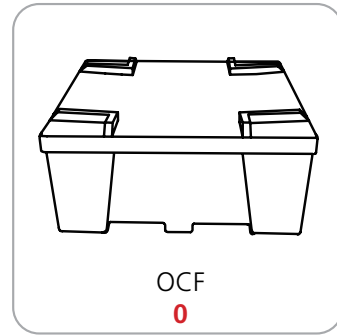
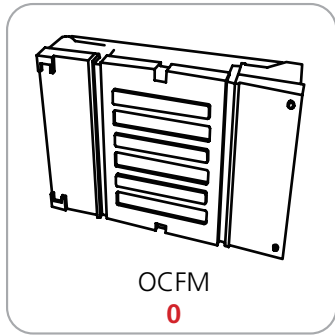
 OR-CIS-45  
0

 OR-ATL-CNTR  
0

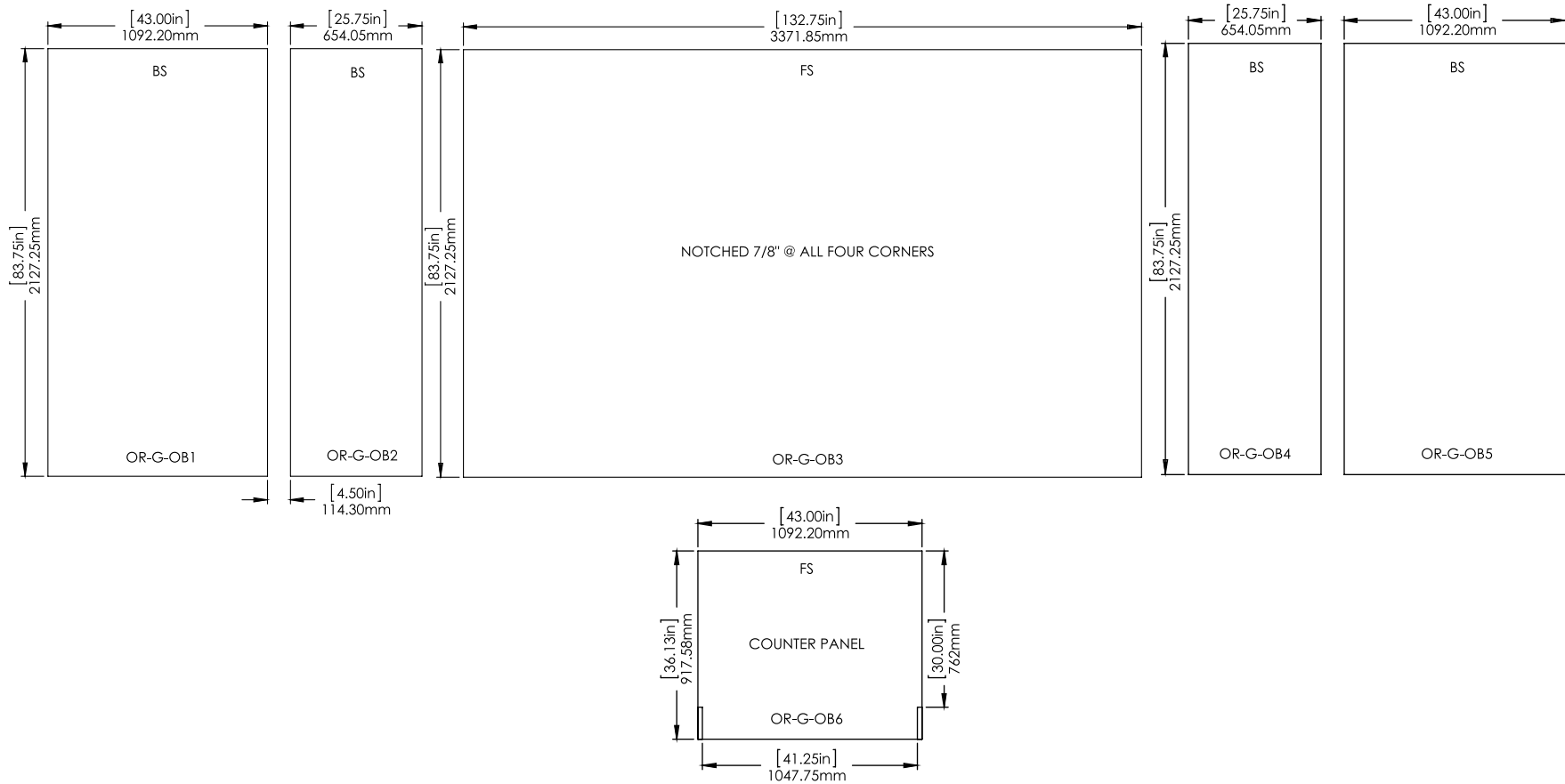
ORBEA TABLETOP ACCESSORY PIECE COUNT:



ORBEA CASE COUNT:



**ORBEA GRAPHIC SPECS:  
AVAILABLE GRAPHICS – DYE SUBLIMATION**



**Acceptable File formats:**

Illustrator CC or below  
Photoshop CC or below  
Art time will be charged if files need to be fixed or altered to meet guidelines. When sending files please be sure to include all support art (fonts, linked images, etc.)

**Font Specifications:**

Fonts must be converted to outlines.

**Bleeds:**

All orbital truss graphics require specific bleeds. The sizes listed above represent the finished graphic size. Please keep all logos, type and critical information at least 1" in from each edge of the finished graphic.

**Dye Sublimation:** 2" bleed around the perimeter.

**UV:** 1/2" bleed around the perimeter.

**Color:**

All files are printed as CMYK format. All critical Pantone colors need to be called out in the file or specified on the order as Coated or Uncoated swatches.

**Resolution:**

All raster files (either print files or linked files) must be at 100-120 pixels per inch at 100%

**Finishing Details:**

When graphics are notched, a 7/8" square is cut in the appropriate location.

**FS:** Graphics mounted to front of truss system

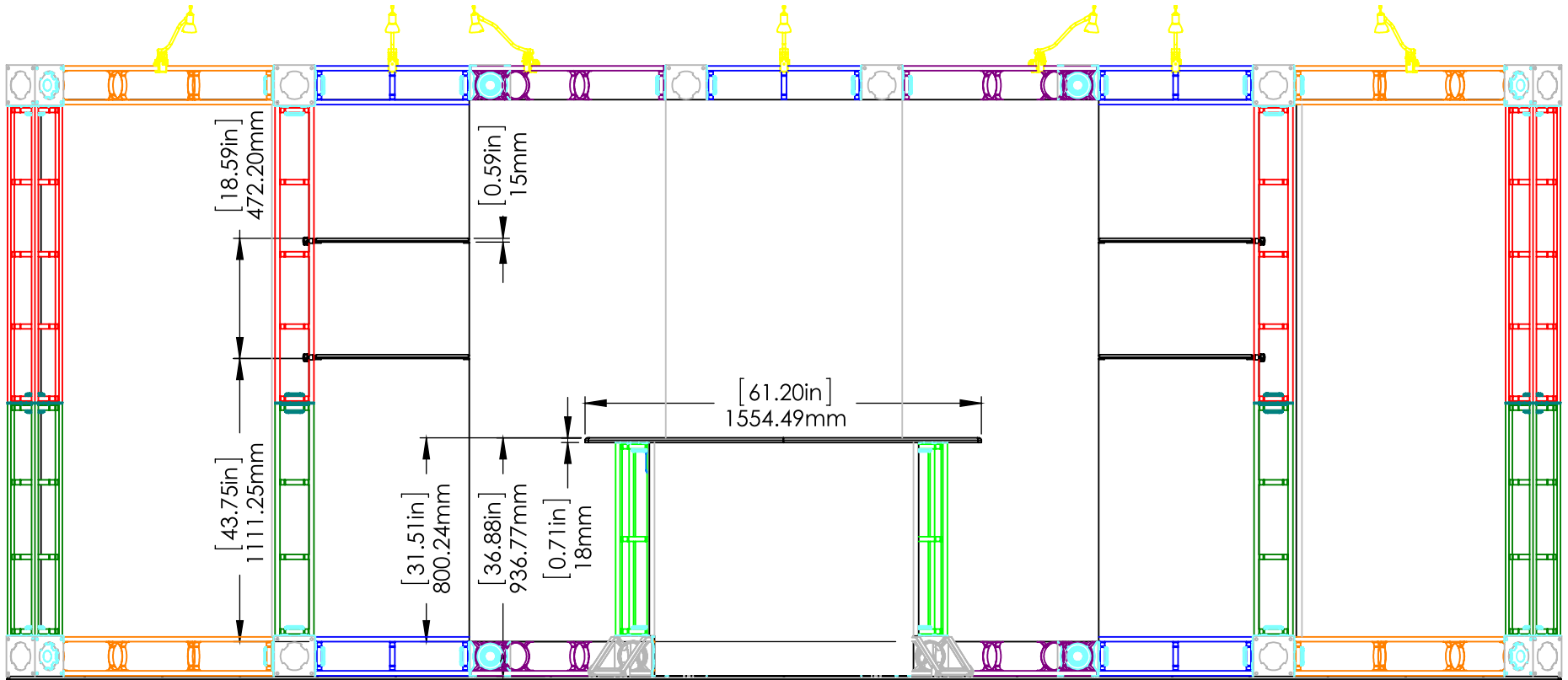
**BS:** Graphics mounted to back of truss system

Dye Sublimation graphics are attached to truss with velcro. UV panels are attached to truss with magnet.

**To ensure quality, please note:**

Each graphic has a specific code or number located on the graphic. The electronic print files provided must be named accordingly. Using this coding system will allow us to preflight and prepare your files for print more efficiently. **If you fail to provide your graphic files in this format, additional charges may be necessary to complete your printed materials.**

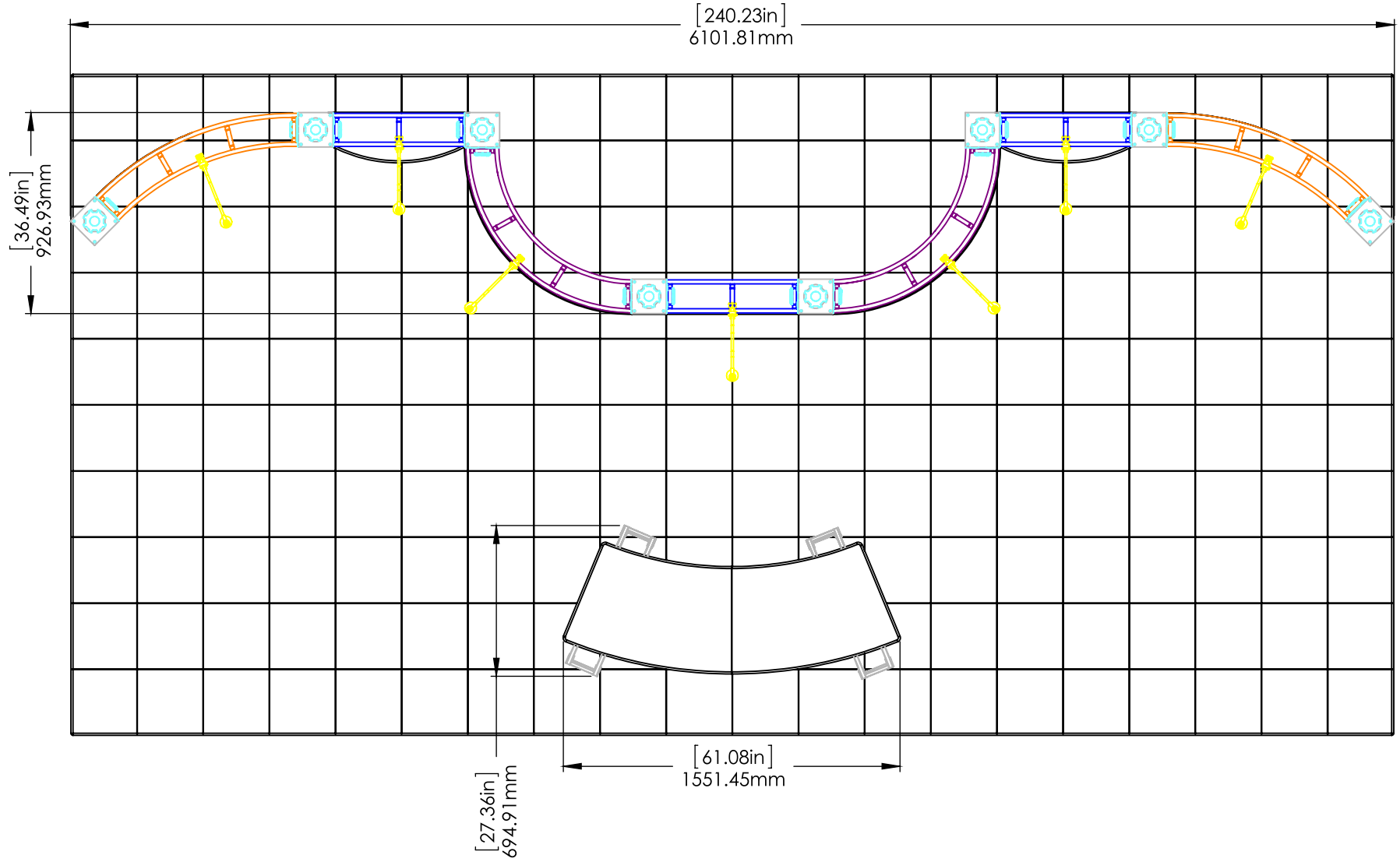
ORBEA GRAPHIC LAYOUT:



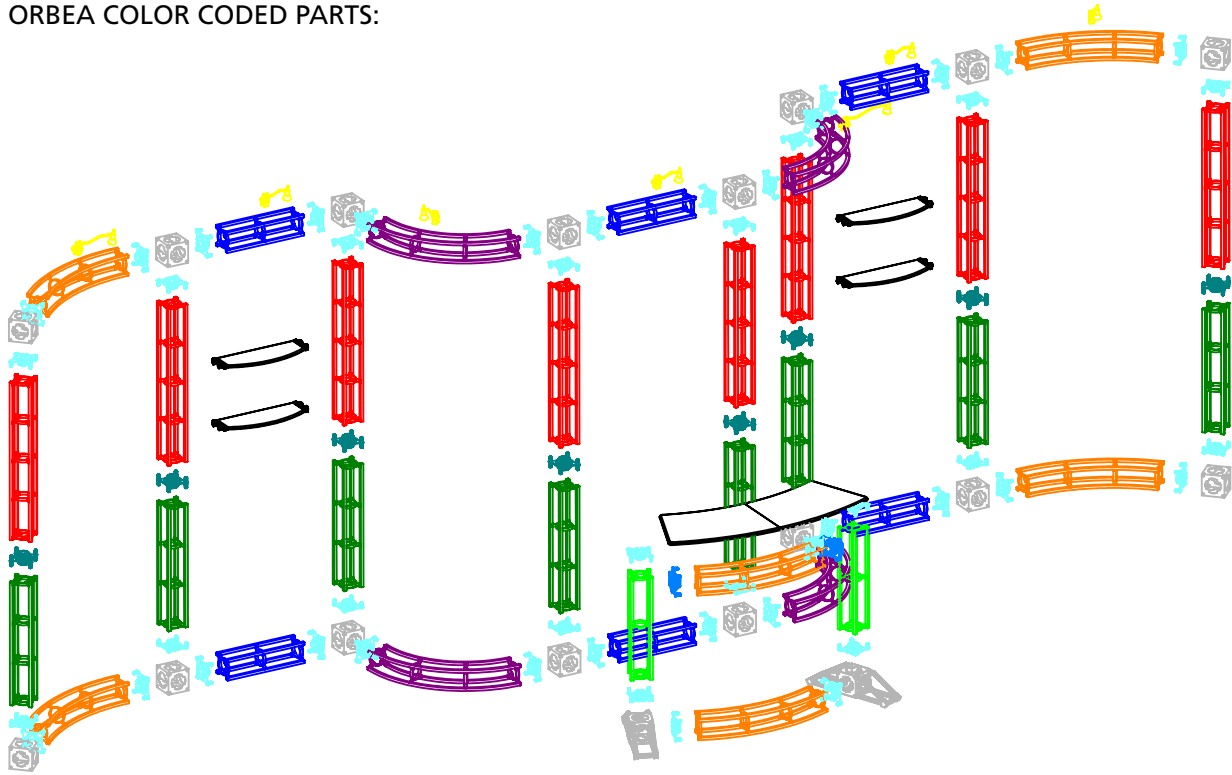
ORBEA FLOOR PLAN:

SCALE REF = 5ft

10'd x 20'w Inline



ORBEA COLOR CODED PARTS:



Parts exploded

