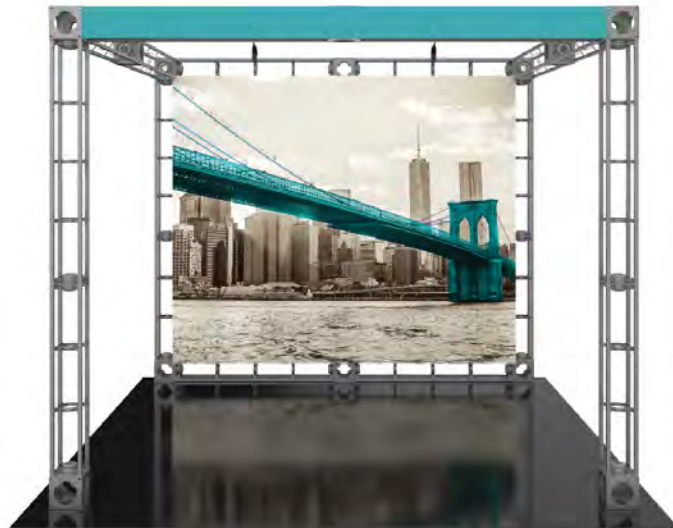


LUNA 10x10 ORBITAL TRUSS KIT

Have a Question?

Please contact support@tradeshowplus.com

The Luna-1 10ft x 10ft inline Orbital Express Truss™ exhibit is a contemporary modular display kit crafted with durable steel truss lengths. Luna-1 features a seamless dye-sublimated fabric graphic backwall accented by an open canopy structure that extends over the exhibit space. The open space welcomes visitors in, and allows for easy navigation. A front header graphic helps your branding get noticed. Included in this kit are two low voltage spotlights that illuminate the backwall. This versatile system can be reconfigured in multiple ways and combinations using the same parts.



We are continually improving and modifying our product range and reserve the right to vary the specifications without prior notice. All dimensions and weights quoted are approximate and we accept no responsibility for variance. E&OE. See Graphic Templates for graphic bleed specifications.

FEATURES & BENEFITS

Kit Includes

13 x 6-way junction boxes
4 x 36" straight truss lengths
14 x 46" straight truss lengths
1 x full set of quicklock connectors
2 x 12 watt LED spotlights
1 x OCF2 molded case

- 10' x 10' kit size
- Custom appearance
- Toolless assembly
- Simple twist and lock design
- 5 year warranty against manufacturer defects

DIMENSIONS

Assembled unit :

120"W x 96"H x 120"D

Cases:

(1) OCF2: 51"L x 51"W x 23"D

Shipping Weight:

333 lbs


GRAPHICS

Refer to related graphic template for specific information on sizes and bleeds.


Visit:

<https://tradeshowplus.com>


LUNA-1 PIECE COUNT:




OR-J-3
13



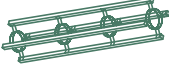
OR-J-DBL
0



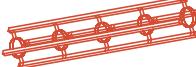
OR-24-2
0




OR-30-2
0




OR-36-2
4




OR-46-2
14



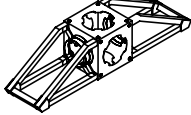
OR-45-CV-3
0



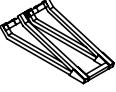
OR-90-CV-2
0




OR-B90
0




OR-B90A
0




OR-B45
0




OR-TOOL-B
1



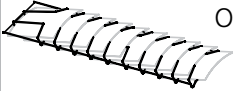
OR-QL-T2J
28



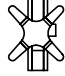
OR-QL-T2T
4



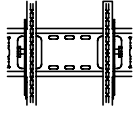
OR-UNC-QL
0



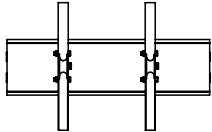
OR-STG
0



OR-LCD1-B
0



OR-LCD2-B
0




OR-LCD3-B
0




SPOTLIGHT
2




OR-TBL
0




OR-TBL2-L
0




OR-TBL2-R
0




OR-IS-24 0




OR-IS-36 0




OR-IS-46 0




OR-IS-48 0




OR-CIS-90
0



OR-SE-IS-90
0

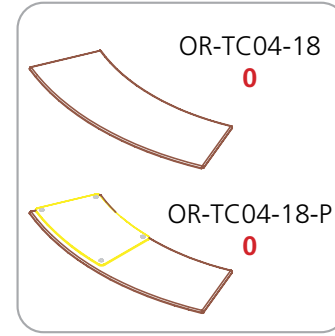
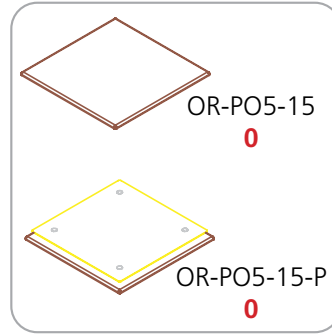
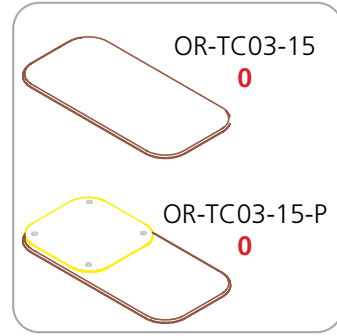
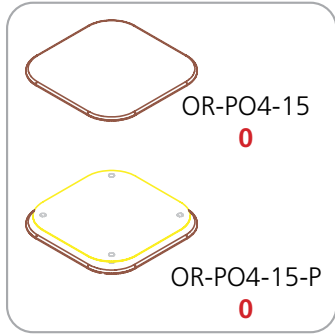
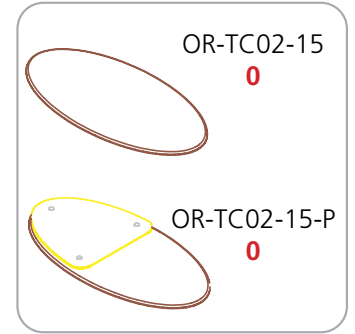
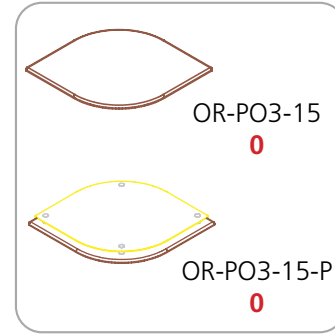
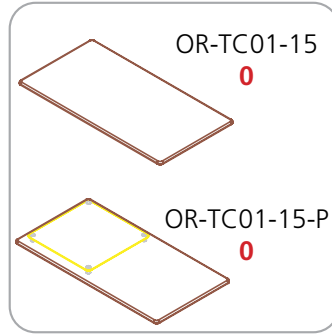
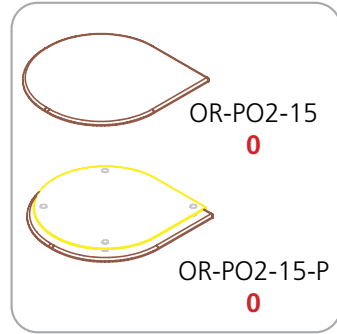
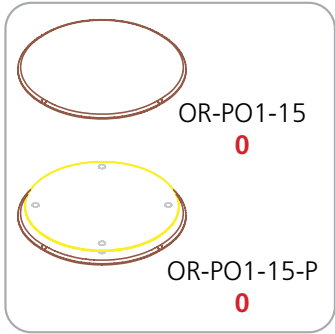


OR-CIS-45
0

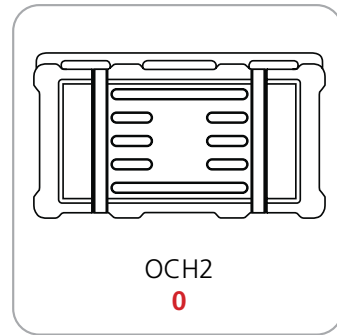
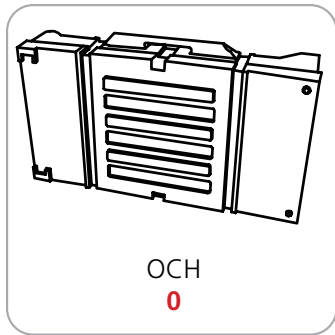
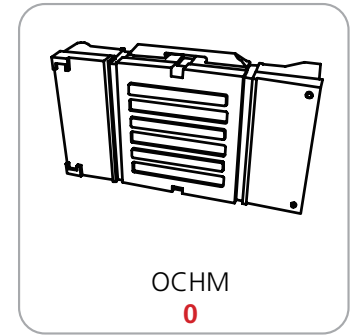
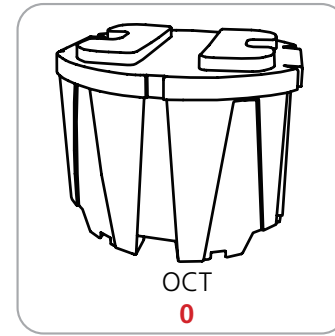
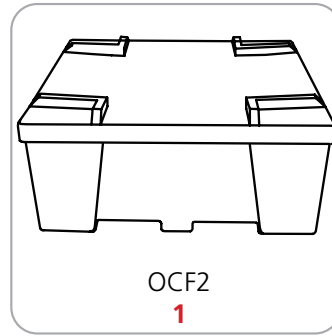
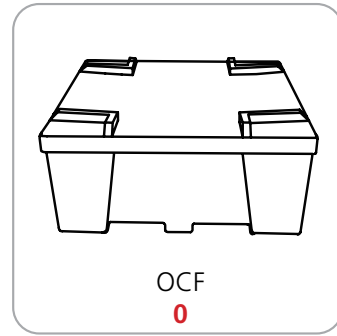
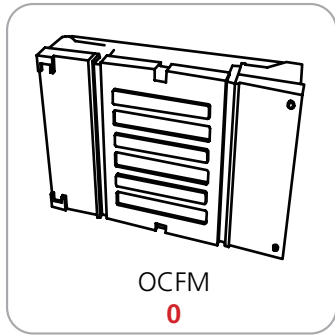


OR-ATL-CNTR
0

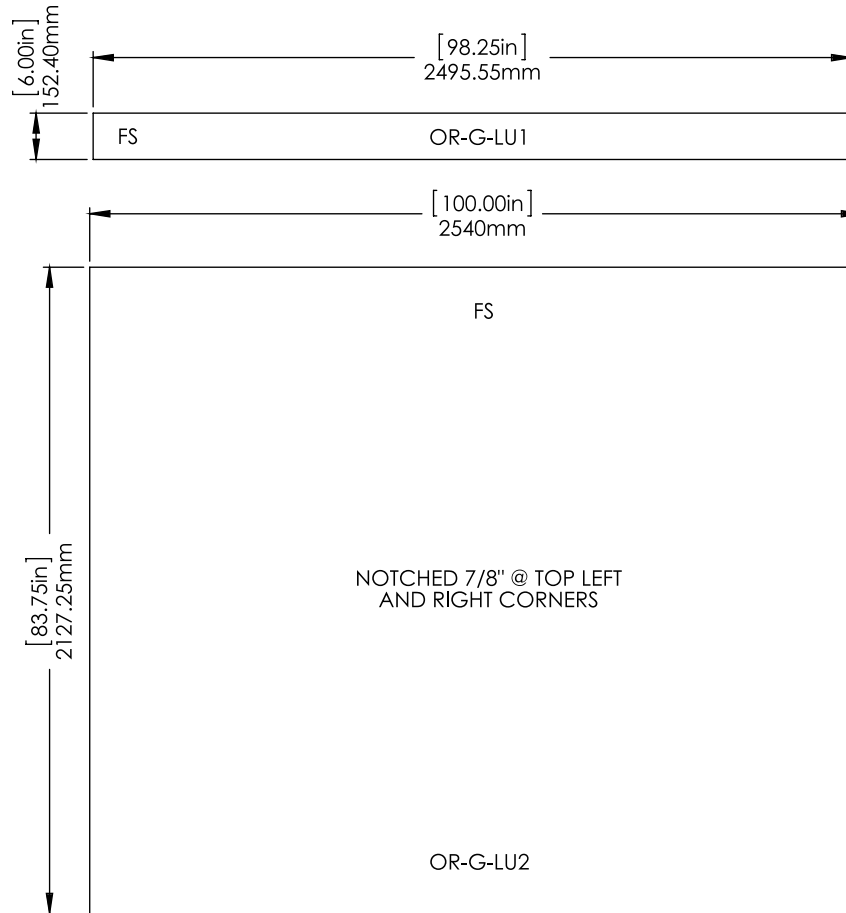
LUNA-1 TABLETOP ACCESSORY PIECE COUNT:



LUNA-1 CASE COUNT:



LUNA-1 GRAPHIC SPECS:
AVAILABLE GRAPHICS – DYE SUBLIMATION



Acceptable File formats:

Illustrator CC or below
Photoshop CC or below
Art time will be charged if files need to be fixed or altered to meet guidelines. When sending files please be sure to include all support art (fonts, linked images, etc.)

Font Specifications:

Fonts must be converted to outlines.

Bleeds:

All orbital truss graphics require specific bleeds. The sizes listed above represent the finished graphic size. Please keep all logos, type and critical information at least 1" in from each edge of the finished graphic.

Dye Sublimation: 2" bleed around the perimeter.

UV: 1/2" bleed around the perimeter.

Color:

All files are printed as CMYK format. All critical Pantone colors need to be called out in the file or specified on the order as Coated or Uncoated swatches.

Resolution:

All raster files (either print files or linked files) must be at 100-120 pixels per inch at 100%

Finishing Details:

When graphics are notched, a 7/8" square is cut in the appropriate location.

FS: Graphics mounted to front of truss system

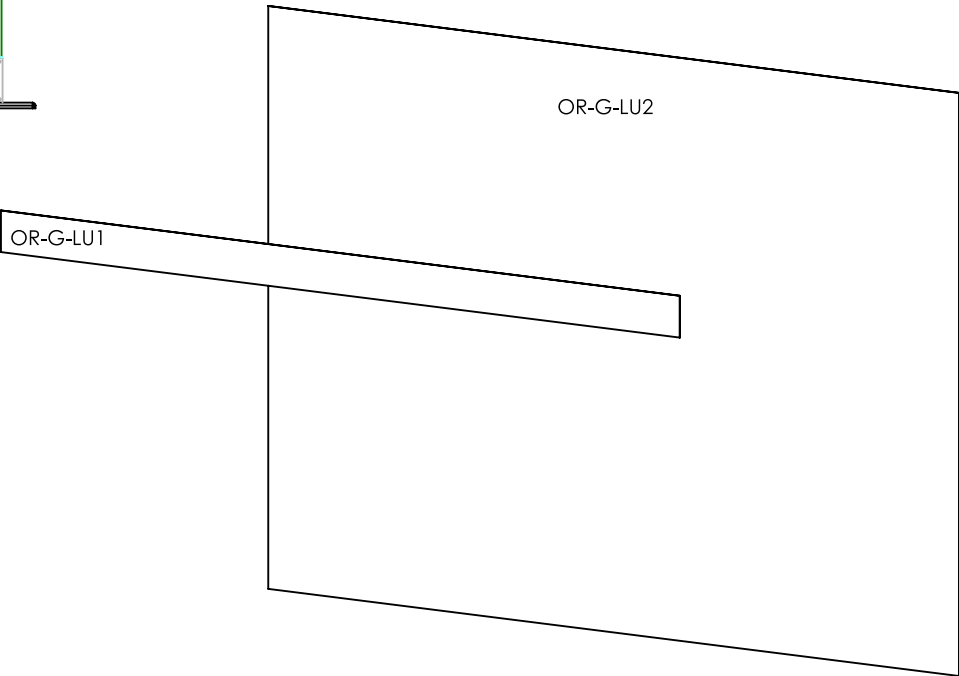
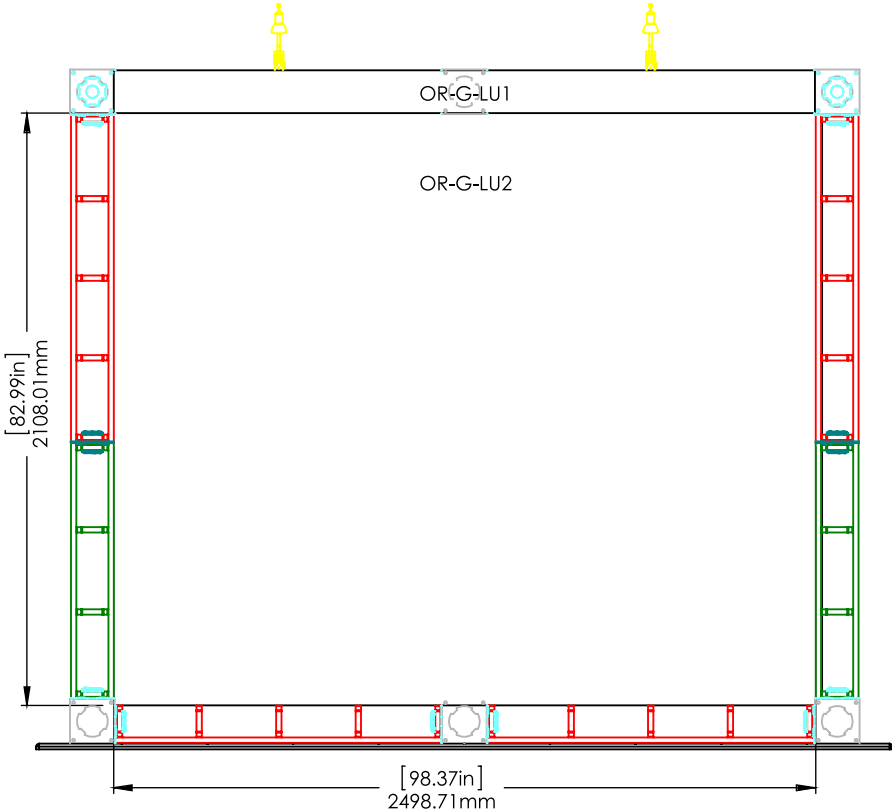
BS: Graphics mounted to back of truss system

Dye Sublimation graphics are attached to truss with velcro. UV panels are attached to truss with magnet.

To ensure quality, please note:

Each graphic has a specific code or number located on the graphic. The electronic print files provided must be named accordingly. Using this coding system will allow us to preflight and prepare your files for print more efficiently. **If you fail to provide your graphic files in this format, additional charges may be necessary to complete your printed materials.**

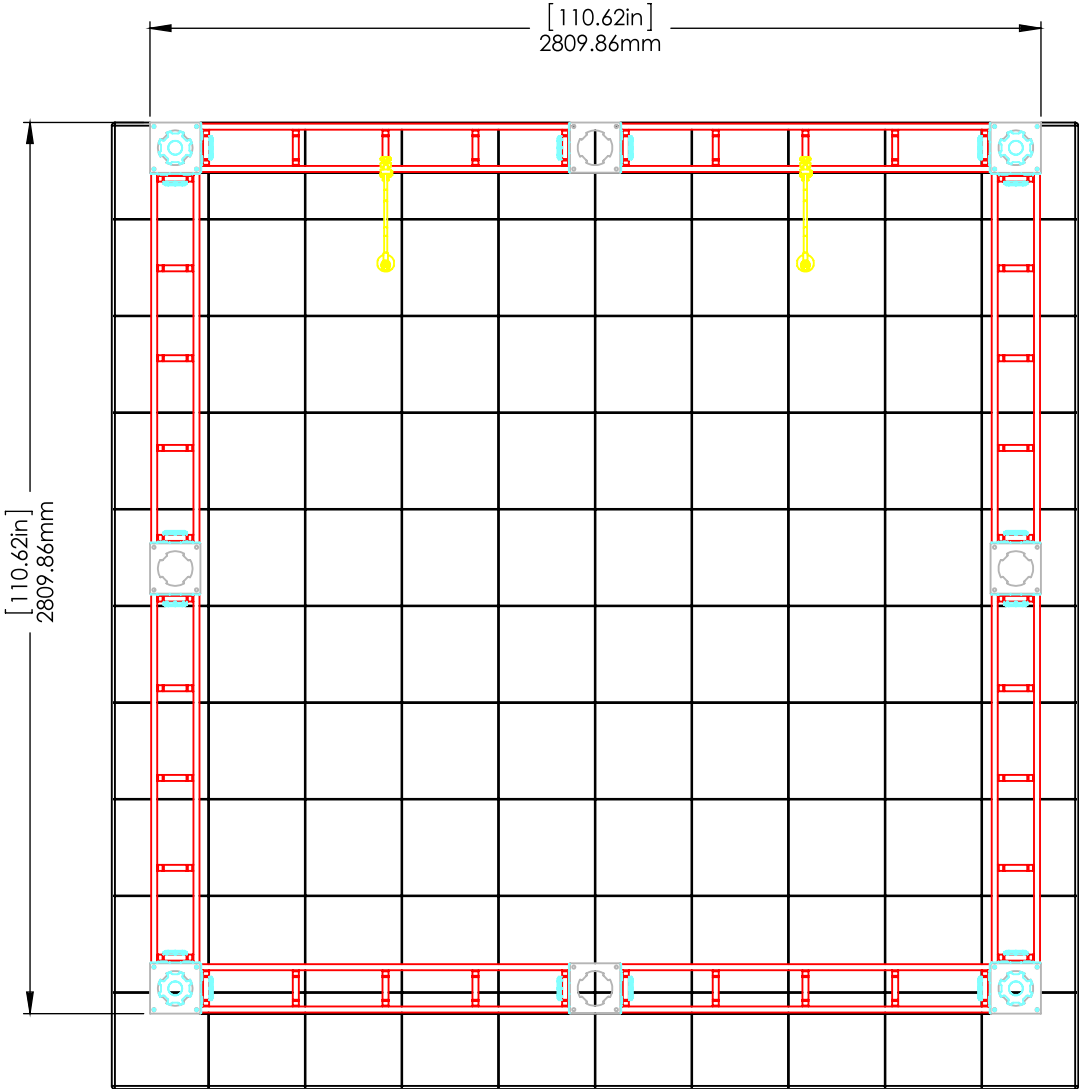
LUNA-1 GRAPHIC LAYOUT:



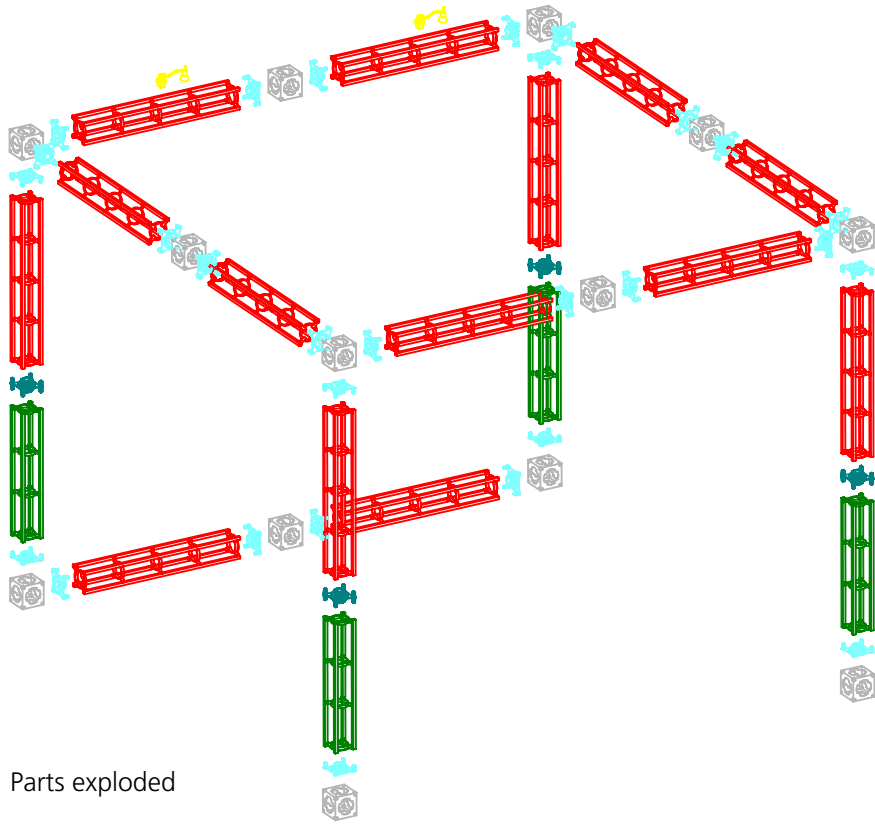
LUNA-1 FLOOR PLAN:

SCALE REF = 5ft

10'd x 10'w Inline



LUNA-1 COLOR CODED PARTS:



Parts exploded

