

## LUNA-2 10x20 ORBITAL TRUSS KIT

**Have a Question?**

Please contact [support@tradeshowplus.com](mailto:support@tradeshowplus.com)

The Luna-2 10ft x 20ft inline Orbital Express Truss exhibit is a professionally designed "off-the-shelf" kit that includes a variety of display accessories that complement the industrial steel truss frame. Luna-2 features a backwall with two seamless dye-sublimated fabric graphics, accented by an open canopy structure that extends over the exhibit space. The open space welcomes visitors in, and allows for easy navigation. A front header graphic helps your branding get noticed. Two low voltage spotlights that illuminate the backwall. This versatile system can be reconfigured in multiple ways and combinations using the same parts, including the 10ft x 10ft Luna-1.



We are continually improving and modifying our product range and reserve the right to vary the specifications without prior notice. All dimensions and weights quoted are approximate and we accept no responsibility for variance. E&OE. See Graphic Templates for graphic bleed specifications.

### FEATURES & BENEFITS

#### Kit Includes

21 x 6-way junction boxes  
6 x 36" straight truss lengths  
24 x 46" straight truss lengths  
Full set of quicklock connectors  
4 x 12 watt LED spotlights  
1 x OCF molded case  
1 x OCF2 molded case

- 10' x 20' kit size
- Custom appearance
- Toolless assembly
- Simple twist and lock design
- 5 year warranty against manufacturer defects

### DIMENSIONS

#### Assembled unit :

215"w x 94.5"h x 110.7"d

#### Cases:

1 x OCF (51"L x 39"H x 24"D)  
1 x OCF2 (51"L x 51"H x 23"D)

#### Shipping Weight:

570 lbs

### GRAPHICS

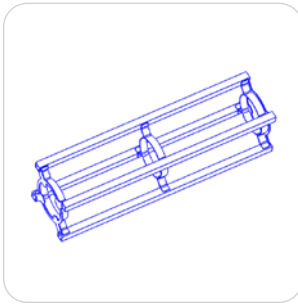
Refer to related graphic template for specific information on sizes and bleeds.

#### Visit:

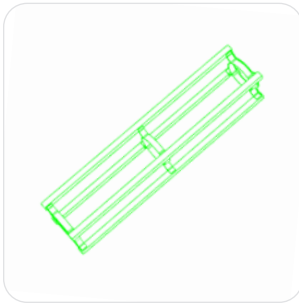
<https://tradeshowplus.com>

# Included In Your Kit

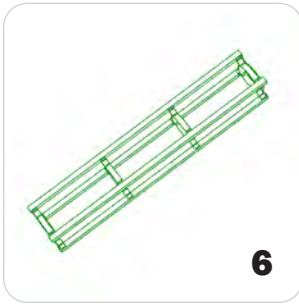
Truss, Connectors, & Accessories



OR-24-2

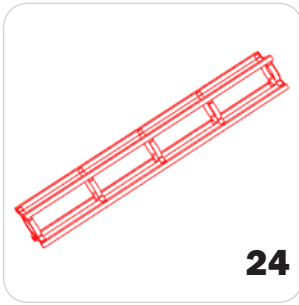


OR-30-2



OR-36-2

**6**



OR-46-2

**24**



OR-45-CV-3



OR-90-CV-2



OR-TOOL-B

**2**

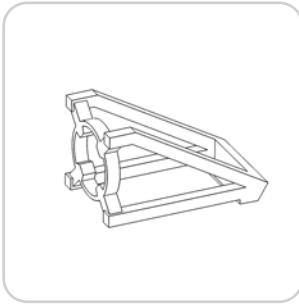


OR-J-3

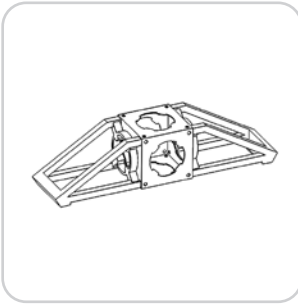
**21**



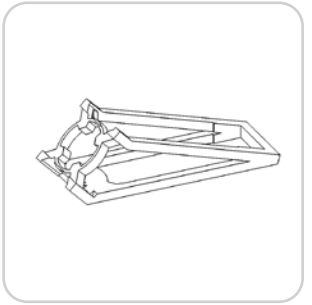
OR-J-DBL



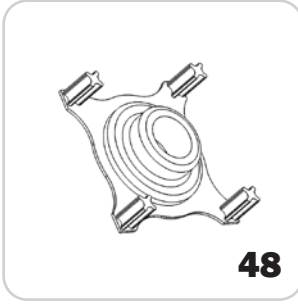
OR-B90



OR-B90A

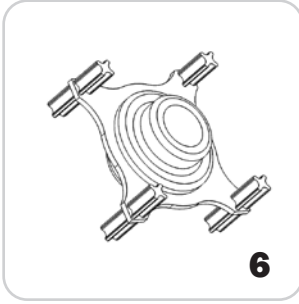


OR-B45



OR-QL-T2J

**48**

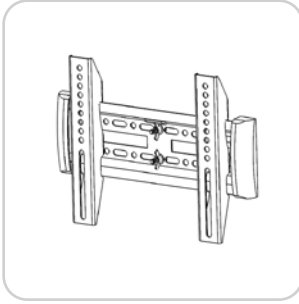


OR-QL-T2T

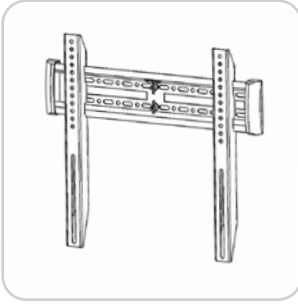
**6**



OR-UNC-QL



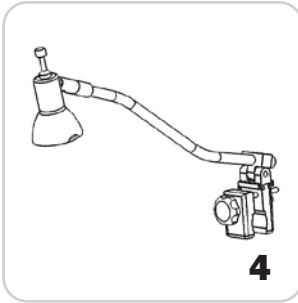
OR-SM-MB



OR-M-MB

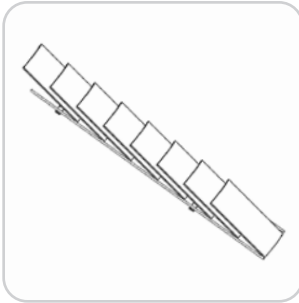


OR-LG-MB

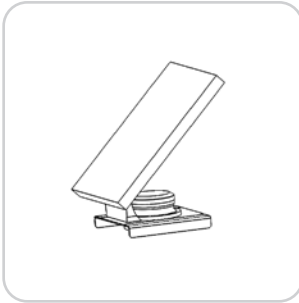


SPOTLIGHT

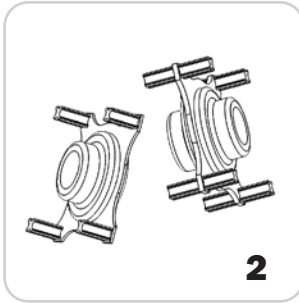
**4**



OR-STG



OR-MM-KIT



EXTRA PIECE SET

**2**

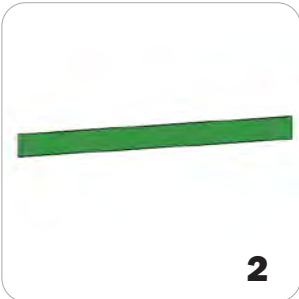
# Included In Your Kit

Graphics



**2**

OR-G-LU1-DS

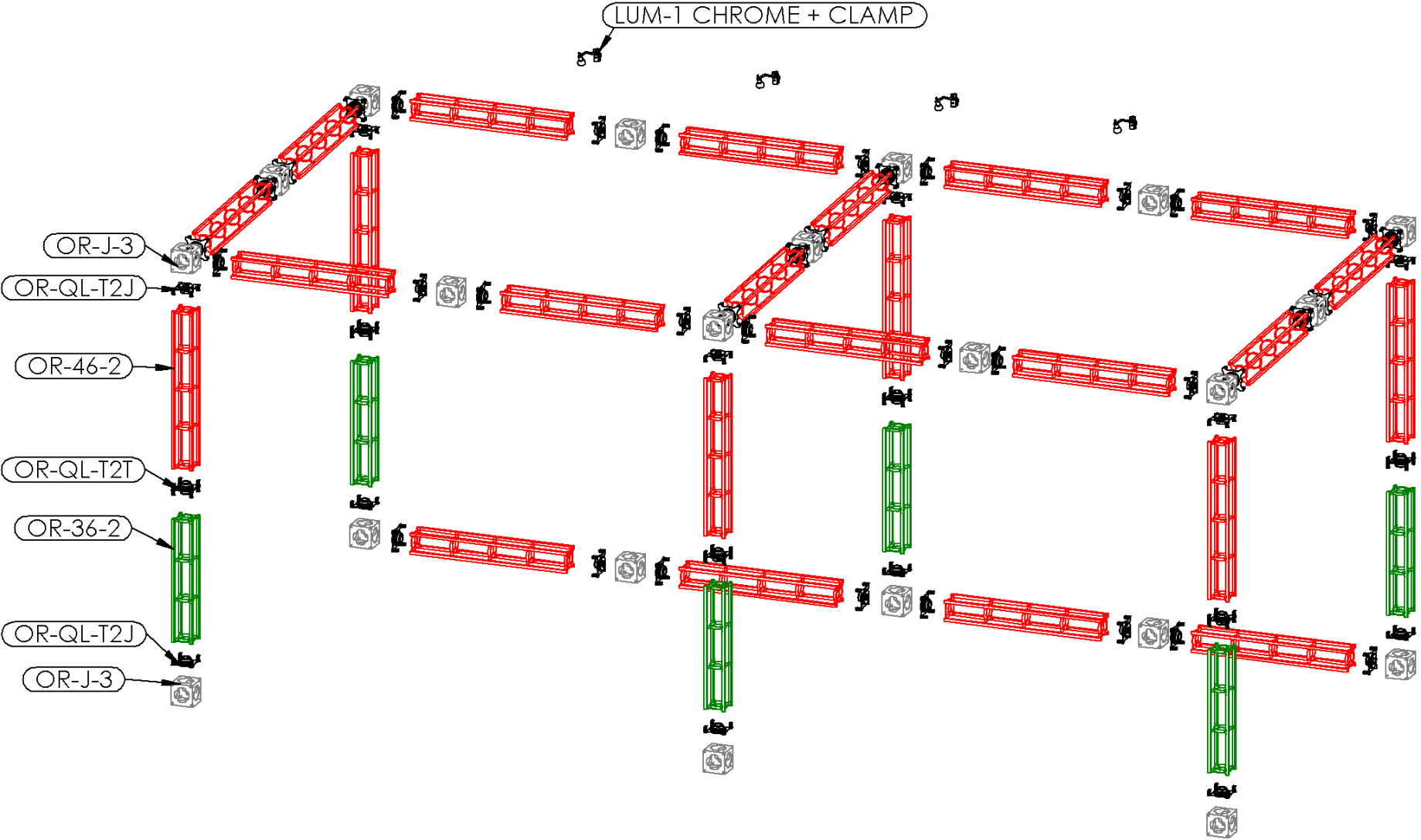


**2**

OR-G-LU2-DS

# Exploded View

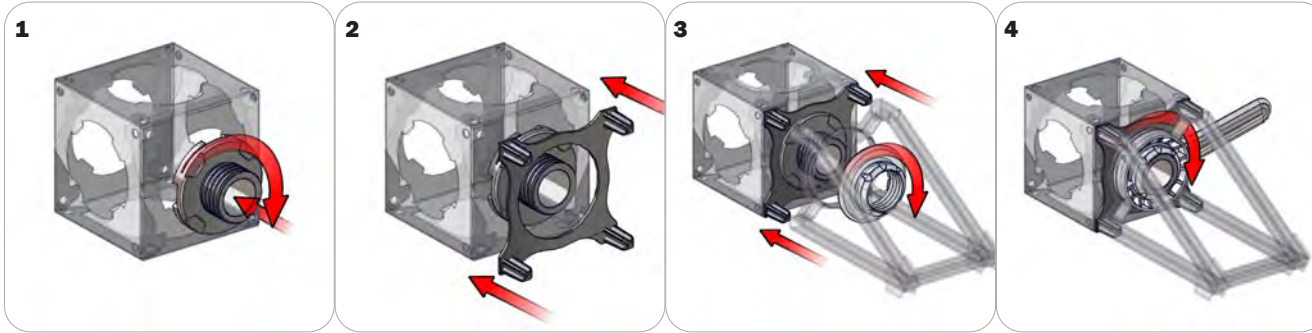
OR-K-LU2



# Connection Methods

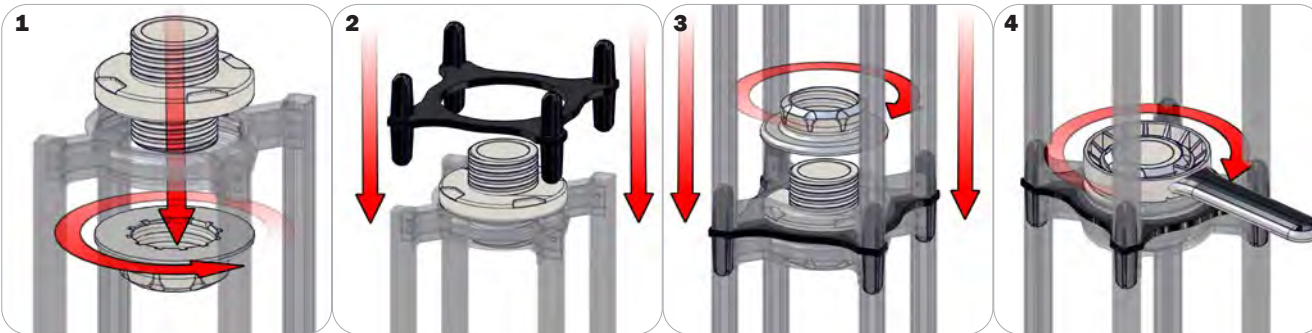
Orbital Express Truss™ structures use a number of different yet simple connection methods. Your kit will include one or more of the connection methods shown below. Steps within the Kit Assembly will reference a specific method for each connection point.

## Connection Method 1: Truss To Junction Box (OR-QL-T2J)



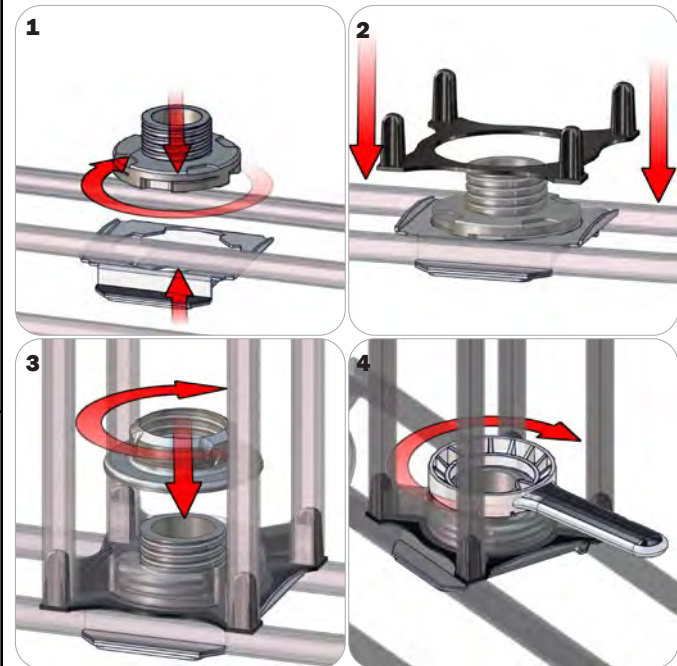
With your OR-QL-T2J (T2J) connector disassembled, insert the twist-lock hub of the connector into any large hole of the junction box and turn clockwise to lock into place (as shown in step 1). Place the bracket over the locked portion of the T2J connector so that the protruding hubs face outward (as shown in step 2). Push the truss you wish to connect onto the hubs of the T2J bracket. The hubs will slide into the holes in the end of the truss. Hand tighten the remaining cap onto the T2J connector and lock tight and securely using your OR-TOOL-B tool.

## Connection Method 2: Truss To Truss (OR-QL-T2T)



With your OR-QL-T2T (T2T) connector disassembled, assemble onto the end of your truss with the double-sided screw hub and a screw cap, then tighten with your OR-TOOL-B tool (as shown in step 1). Locate the bracket for your T2T connector. Insert the hubs of the bracket into the holes on the end of your truss. Add the truss you wish to connect by inserting the hubs of the bracket onto the second truss. Sandwich the end of the truss using the second screw cap and lock tight and securely using your OR-TOOL-B tool.

## Connection Method 3: Universal Connector (OR-UNC-QL) / Accessories



With your OR-UNC-QL (UNC) connector disassembled, assemble onto the end of the truss using the metal bracket and the screw hub. Turn clockwise to lock the bracket and twist-locking hub together. Add the plastic hub over the locked pieces so that the protruding hubs point away and the bracket sits flush. Push the truss you wish to connect onto the bracket, letting the hubs insert into the holes of the truss. Hand tighten the remaining cap onto the T2J connector and lock tight and securely using your OR-TOOL-B tool.

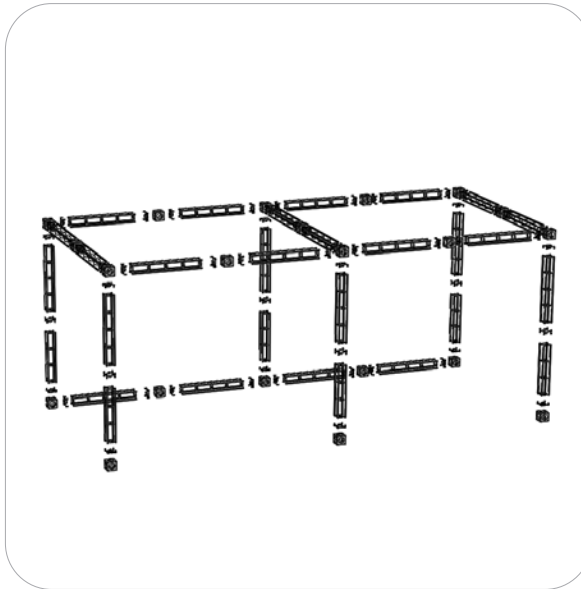
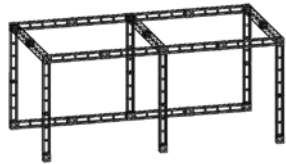
# Kit Assembly

## Step by Step

### Step 1.

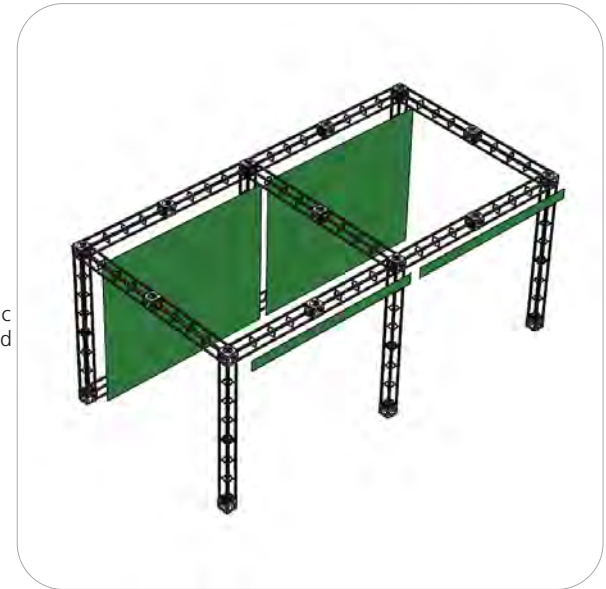
Assemble your truss kit according to the Exploded View. It is recommended to build your assembly from bottom to top.

Please reference Connection Methods 1 & 2 for more details.



### Step 2.

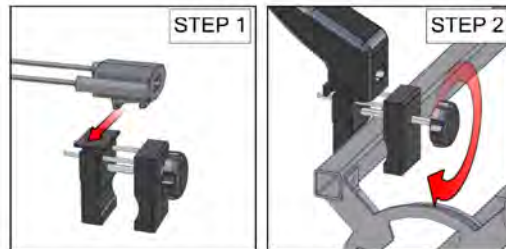
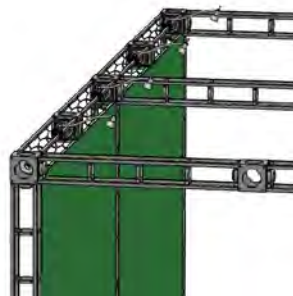
If your kit features "Dye Sublimation" fabric graphics, apply the hook velcro around the border of the truss you wish to apply your graphic to. Apply the graphic utilizing the pre sewn loop velcro on its unprinted side. If your kit features "UV panel" graphics, simply attach the graphic to the truss utilizing the preapplied magnets.



### Step 3.

Slide the "Universal" clamp style light connector to your spotlights. Open your clamps using the adjustment knob. Apply the light assembly in the desired position and clamp tightly into place.

Setup Complete



1- Slide light onto UNIVERSAL CLAMP  
2-Then attach Light on top of the frame.  
Up to 30mm