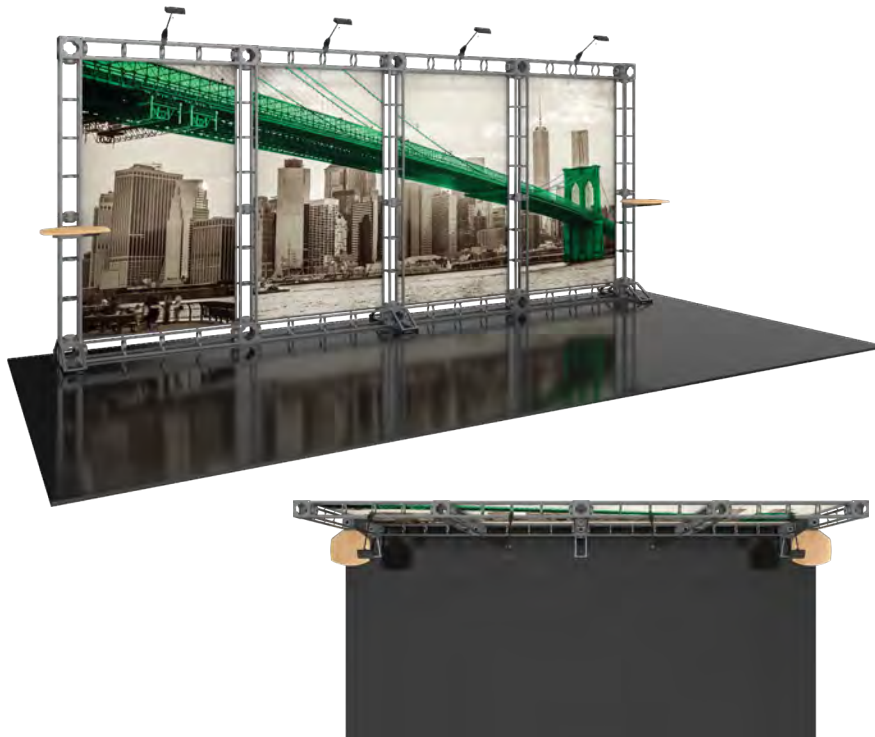


HERCULES 13 10x20 ORBITAL TRUSS KIT

Have a Question?

Please contact support@tradeshowplus.com

The Hercules 13 10ft x 20ft inline Orbital Express Truss™ exhibit combines the portability and ease of use of a modular display kit with the professional, custom look of a full-scale truss exhibit. Hercules 13 features a straight backwall with four separate graphic panels for an expansive display with plenty of real estate for messaging opportunities. Two side tabletops attached to the backwall create additional display space. Four low voltage spotlights illuminate the backwall to highlight your brand. Choose from dye-sublimated fabric or UV printed rollable PVC graphics. The truss exhibit can reconfigure into numerous display combination utilizing the parts within the kit.



FEATURES & BENEFITS

Kit Includes

7 x 6-way junction boxes
 5 x 36" straight truss lengths
 13 x 46" straight truss lengths
 3 x junction base A
 1 x full set of quick-lock connectors
 6 x adjustable tabletops*
 4 x 12 watt LED spotlights
 1 x OCF2 molded case
 1 x OCH2 molded case

- 10' x 20' kit size
- Custom appearance
- Toolless assembly
- Simple twist and lock design
- 5 year warranty against manufacturer defects

DIMENSIONS

Assembled unit :
 215" w x 95" h x 31" d

Cases:
 1 x OCH2 (52" L x 29" H x 15" D)
 1 x OCF2 (51" L x 51" H x 23" D)

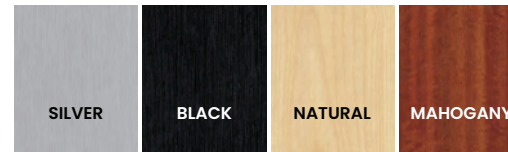
Shipping Weight:
 369 lbs

GRAPHICS

Refer to related graphic template for specific information on sizes and bleeds.

Visit:
<https://tradeshowplus.com>

COUNTER AND SHELF FINISHES



ADDITIONAL INFORMATION

*Tabletop max weight = 25 lbs


*Tabletop color options: silver, black, mahogany, natural

We are continually improving and modifying our product range and reserve the right to vary the specifications without prior notice. All dimensions and weights quoted are approximate and we accept no responsibility for variance. E&OE. See Graphic Templates for graphic bleed specifications.


01/26/21




HERCULES 13 PIECE COUNT:




OR-J-3
7



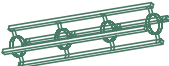
OR-J-DBL
0



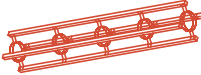
OR-24-2
0




OR-30-2
0




OR-36-2
5



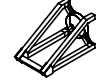
OR-46-2
13



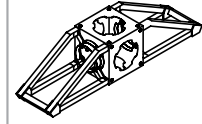
OR-45-CV-3
0



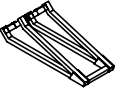
OR-90-CV-2
0




OR-B90
0




OR-B90A
3




OR-B45
0




OR-TOOL-B
2



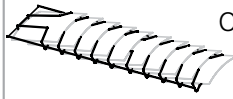
OR-QL-T2J
28



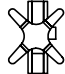
OR-QL-T2T
7



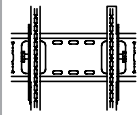
OR-UC-QL
0



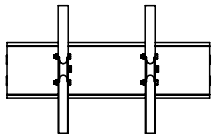
OR-STG
0



OR-LCD1-B
0




OR-LCD2-B
0




OR-LCD3-B
0




SPOTLIGHT
4




OR-TBL
2




OR-TBL2-L
0




OR-TBL2-R
0




OR-IS-24 0




OR-IS-36 0




OR-IS-46 0




OR-IS-48 0



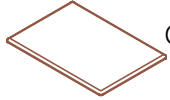
OR-CIS-90
0



OR-SE-IS-90
0

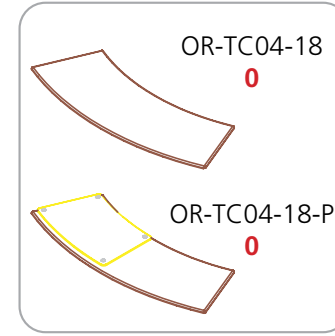
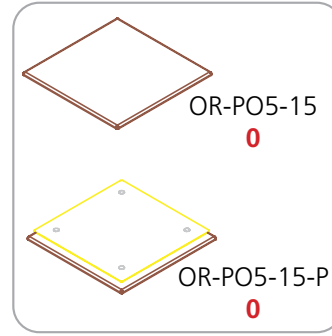
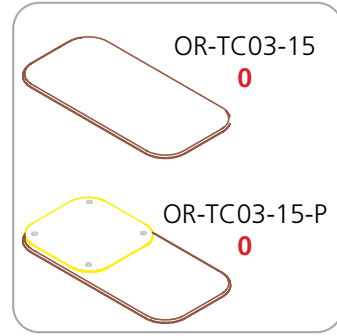
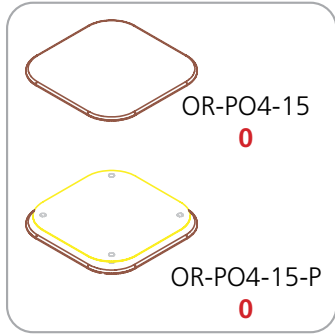
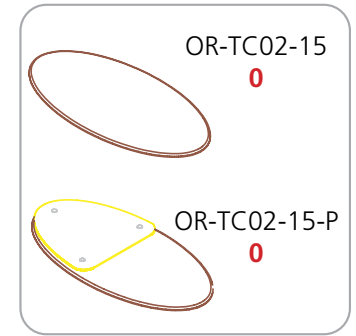
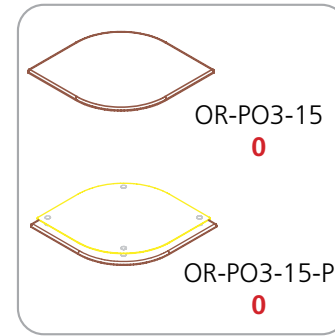
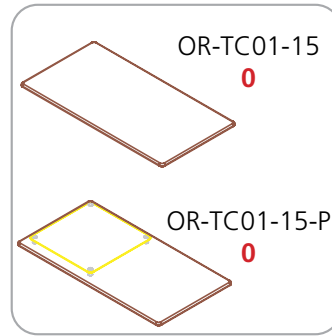
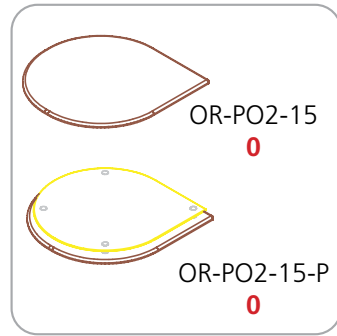
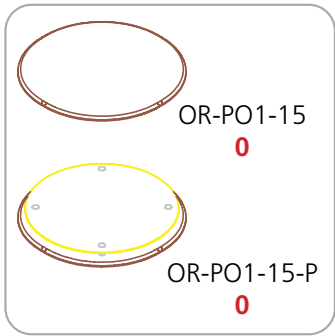


OR-CIS-45
0

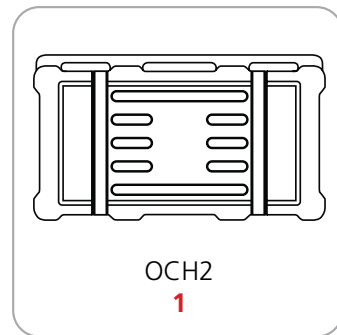
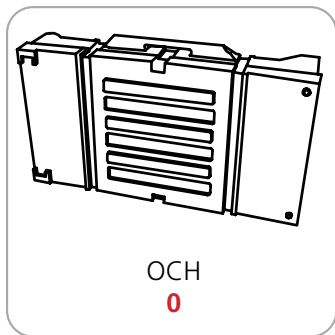
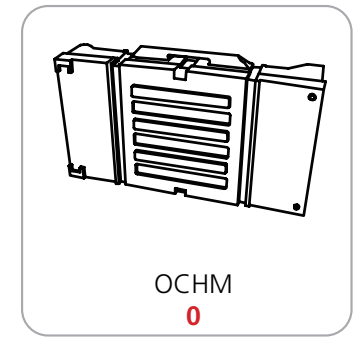
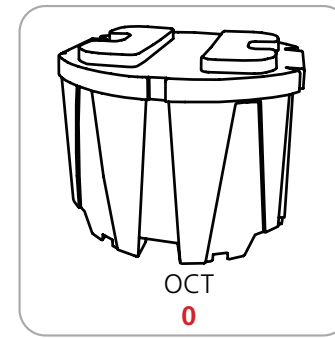
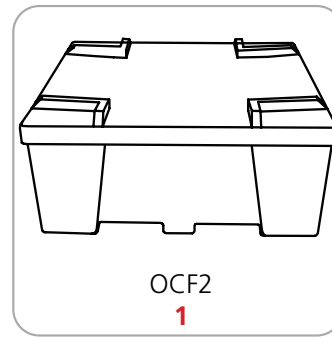
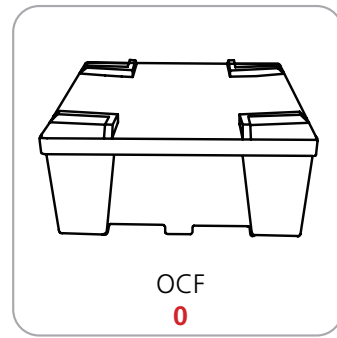
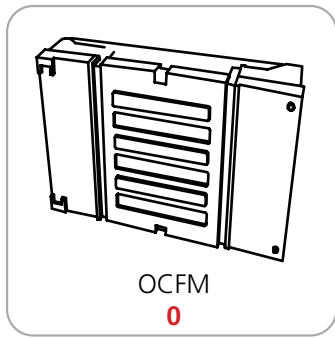


OR-ATL-CNTR
0

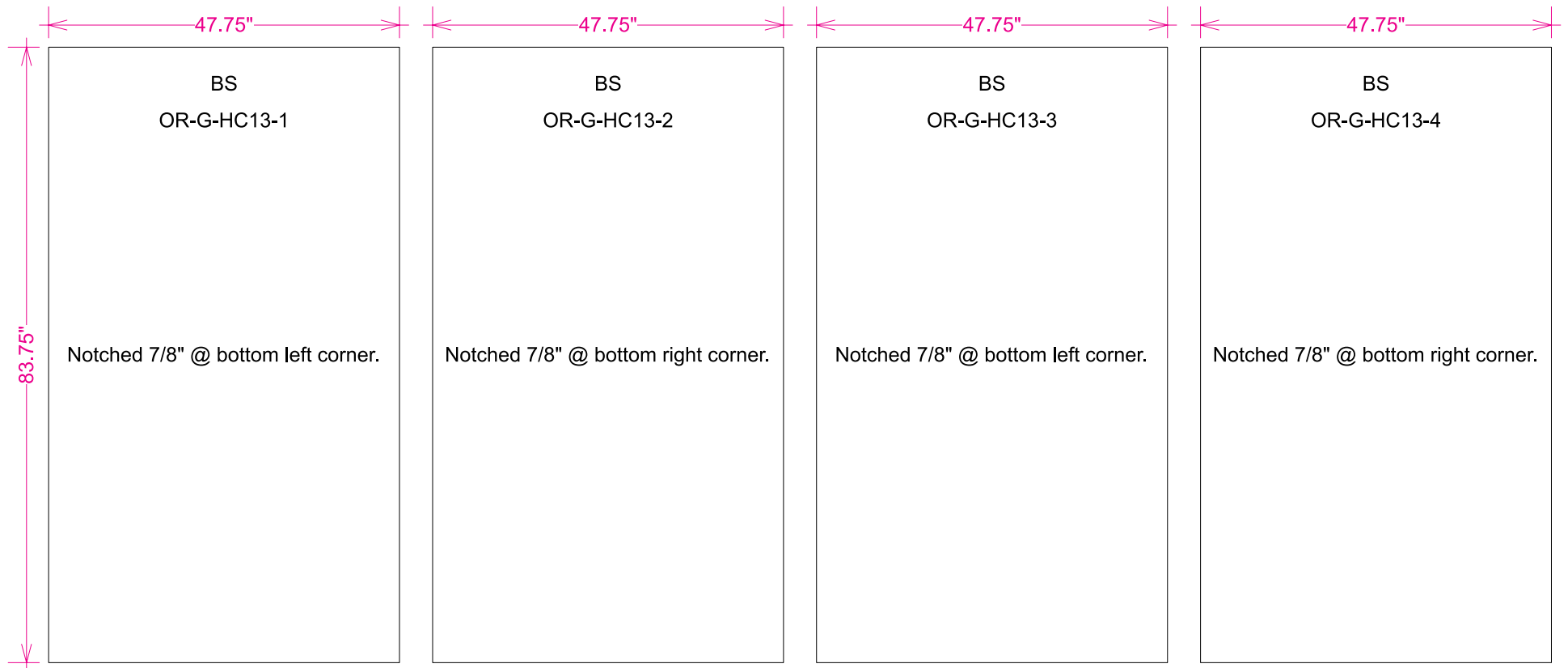
HERCULES 13 TABLETOP ACCESSORY PIECE COUNT:



HERCULES 13 CASE COUNT:



**HERCULES 13 GRAPHIC SPECS:
AVAILABLE GRAPHICS – UV & DYE SUBLIMATION**



Acceptable File formats:

Illustrator CS6 or below
Photoshop CS6 or below
Art time will be charged if files need to be fixed or altered to meet guidelines. When sending files please be sure to include all support art (fonts, linked images, etc.)

Font Specifications:

Fonts must be converted to outlines.

Bleeds:

All orbital truss graphics require specific bleeds. The sizes listed above represent the finished graphic size. Please keep all logos, type and critical information at least 1" in from each edge of the finished graphic.

Dye Sublimation: 2" bleed around the perimeter.

UV: 1/2" bleed around the perimeter.

Color:

All files are printed as CMYK format. All critical Pantone colors need to be called out in the file or specified on the order as Coated or Uncoated swatches.

Resolution:

All raster files (either print files or linked files) must be at 100-120 pixels per inch at 100%

Finishing Details:

When graphics are notched, a 7/8" square is cut in the appropriate location.

FS: Graphics mounted to front of truss system

BS: Graphics mounted to back of truss system

Dye Sublimation graphics are attached to truss with velcro. UV panels are attached to truss with magnet.

To ensure quality, please note:

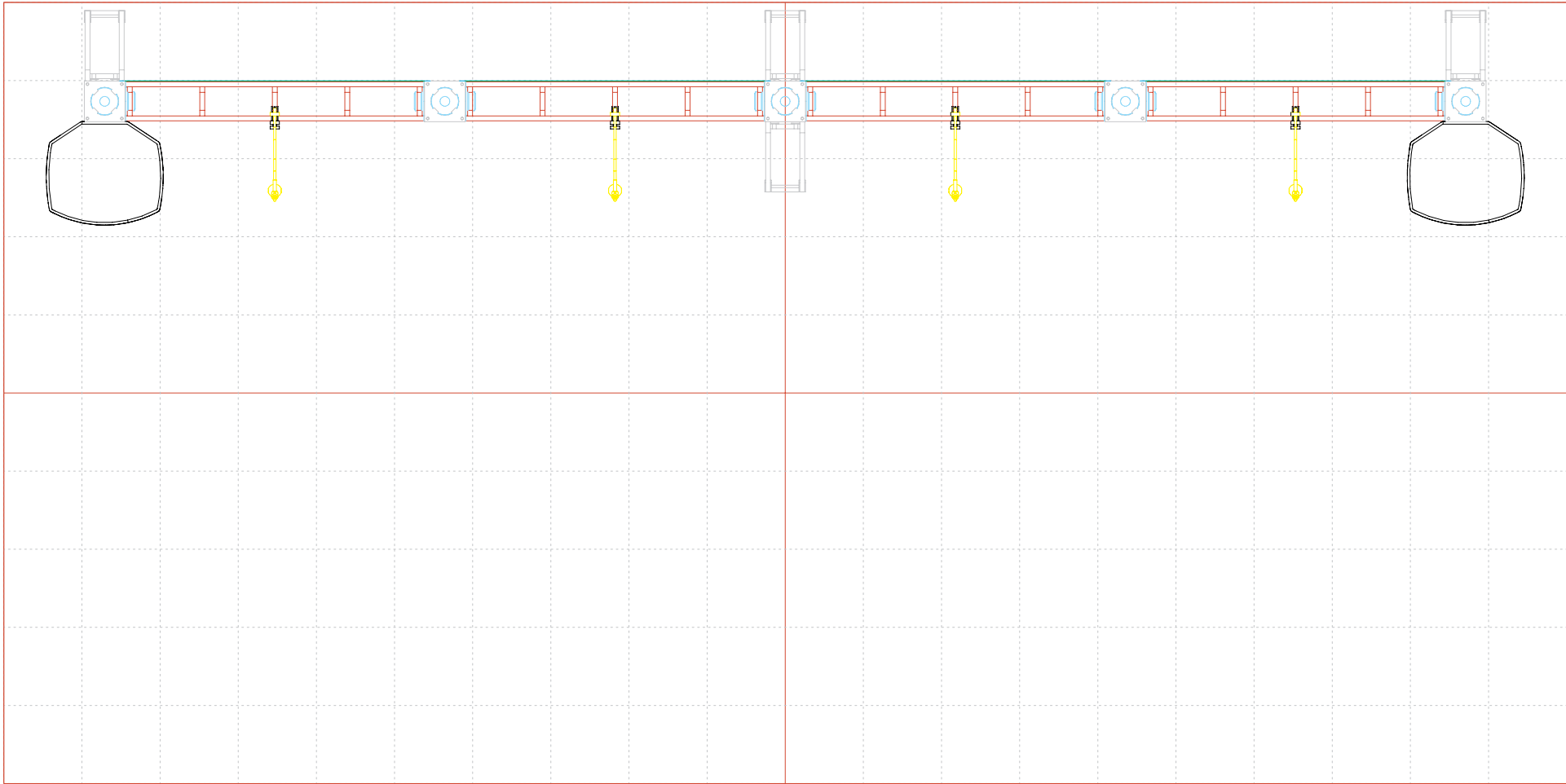
Each graphic has a specific code or number located on the graphic. The electronic print files provided must be named accordingly. Using this coding system will allow us to preflight and prepare your files for print more efficiently. **If you fail to provide your graphic files in this format, additional charges may be necessary to complete your printed materials.**

HERCULES 13 FLOOR PLAN:

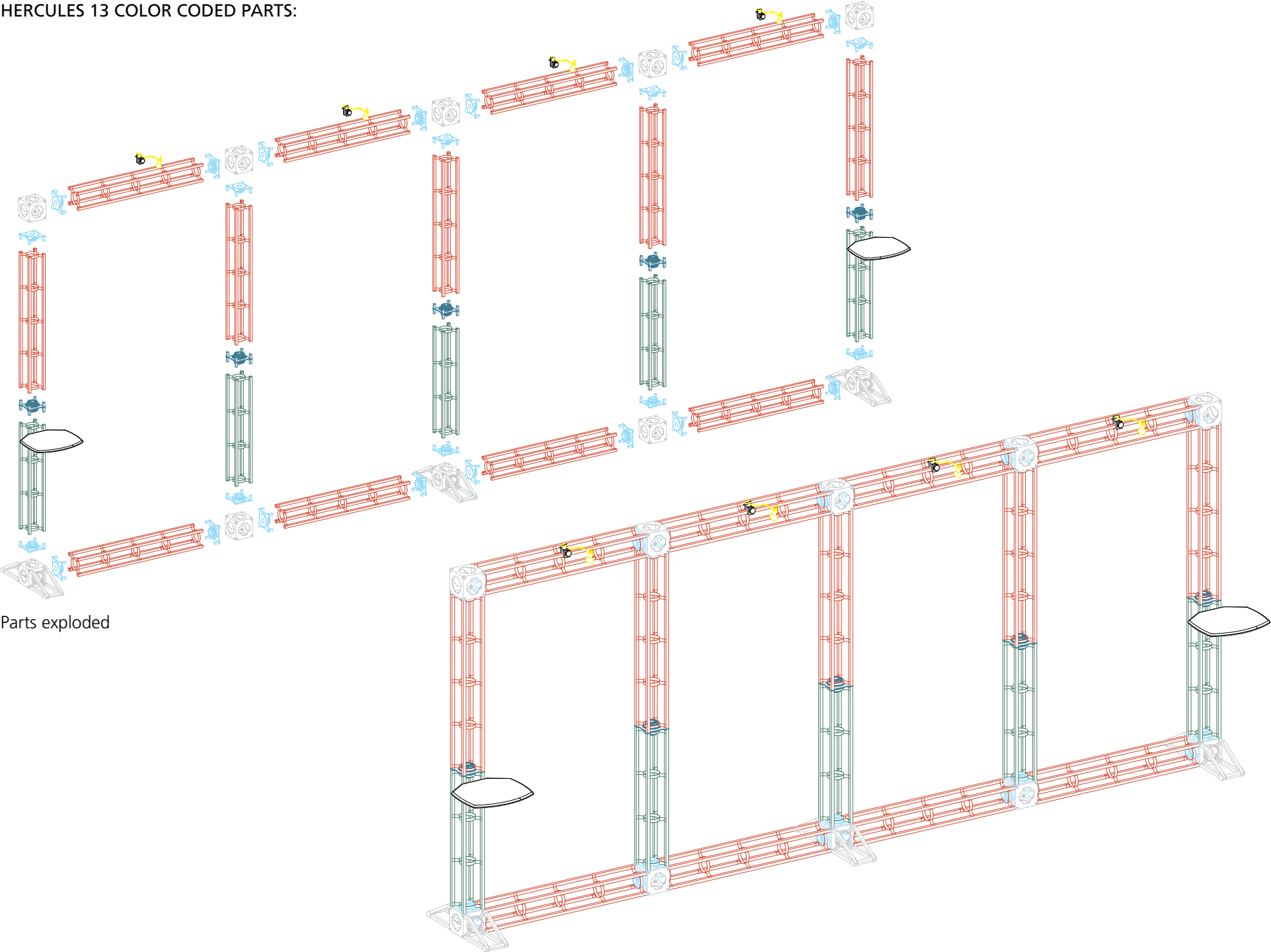
SCALE REF = 5ft



10' d X 20' w Inline



HERCULES 13 COLOR CODED PARTS:



Parts exploded