

HERCULES 08 10x10 ORBITAL TRUSS KIT

Have a Question?

Please contact support@tradeshowplus.com

The Hercules 08 10ft x 10ft inline Orbital Express Truss™ exhibit combines sturdy steel truss lengths and connectors with a variety of accessories, creating a custom-feeling, off-the-shelf modular display. Hercules 08 is comprised of a straight backwall featuring a large graphic panel for plentiful messaging, and a smaller section accented with adjustable height shelving. Three low voltage spotlights draw attention to your brand and messaging. Choose from dye-sublimated fabric or UV printed rollable PVC graphics. The Hercules 08 can be reconfigured into multiple combinations using the parts from the kit.



We are continually improving and modifying our product range and reserve the right to vary the specifications without prior notice. All dimensions and weights quoted are approximate and we accept no responsibility for variance. E&OE. See Graphic Templates for graphic bleed specifications.

01/21/21

FEATURES & BENEFITS

Kit Includes

- 4 x 6-way junction boxes
- 2 x 24" straight truss lengths
- 7 x 36" straight truss lengths
- 3 x 46" straight truss lengths
- 2 x junction base A
- 1 x full set of quick-lock connectors
- 3 x 24" internal shelves*
- 3 x 12 watt LED spotlights
- 1 x OCF molded case

- 10' x 10' kit size
- Custom appearance
- Toolless assembly
- Simple twist and lock design
- 5 year warranty against manufacturer defects

DIMENSIONS

Assembled unit :

115"w x 94.5"h x 28"d

Cases:

(1) OCF: 51"L x 39"W x 24"D

Shipping Weight:

210 lbs

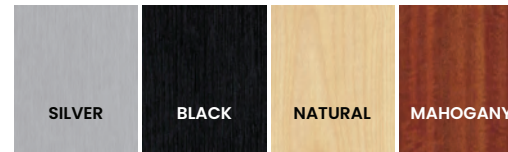
GRAPHICS

Refer to related graphic template for specific information on sizes and bleeds.

Visit:

<https://tradeshowplus.com>

COUNTER AND SHELF FINISHES




ADDITIONAL INFORMATION


*Shelf max weight = 25 lbs


*Shelf color options: silver, black, mahogany, natural

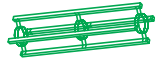


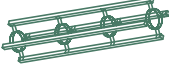
HERCULES 08 PIECE COUNT:

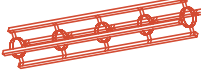
 OR-J-3
4


 OR-J-DBL
0


 OR-24-2
2

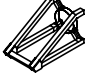
 OR-30-2
0

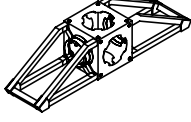
 OR-36-2
7

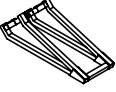
 OR-46-2
3


 OR-45-CV-3
0


 OR-90-CV-2
0


 OR-B90
0


 OR-B90A
2

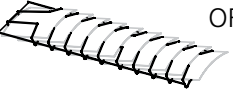
 OR-B45
0

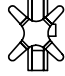
 OR-TOOL-B
1

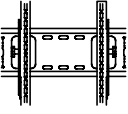
 OR-QL-T2J
15

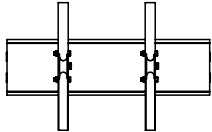
 OR-QL-T2T
6

 OR-UC-QL
0

 OR-STG
0


 OR-LCD1-B
0


 OR-LCD2-B
0


 OR-LCD3-B
0


 SPOTLIGHT
3


 OR-TBL
0


 OR-TBL2-L
0


 OR-TBL2-R
0


 OR-IS-24 3


 OR-IS-36 0


 OR-IS-46 0

 OR-IS-48 0

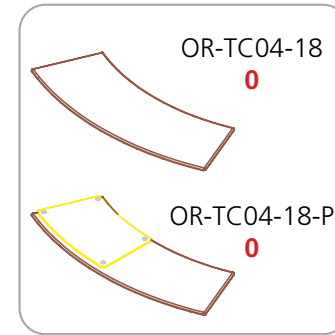
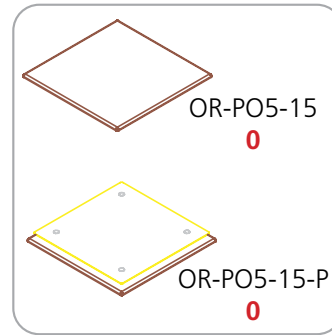
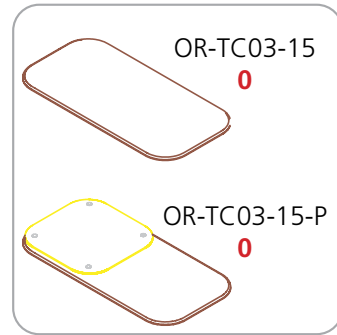
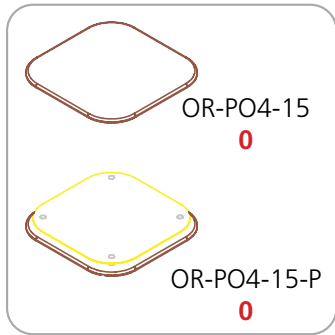
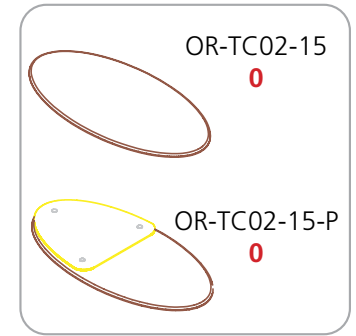
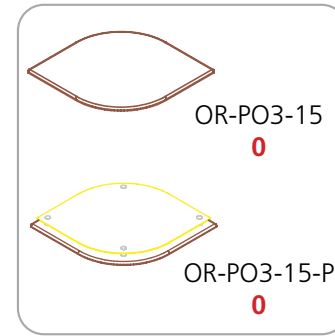
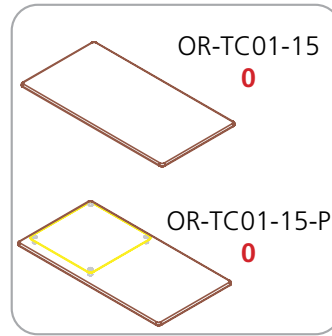
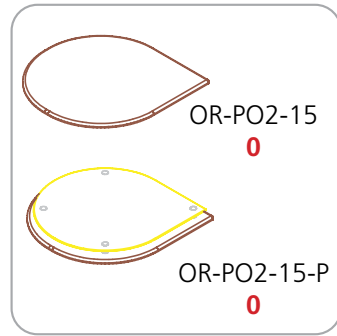
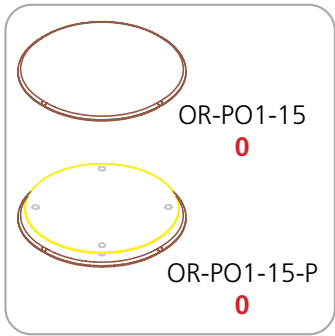
 OR-CIS-90
0

 OR-SE-IS-90
0

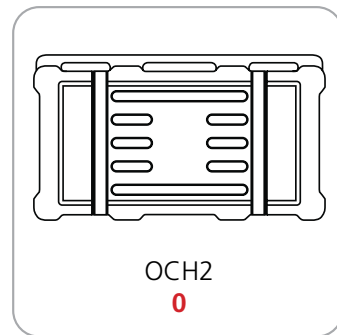
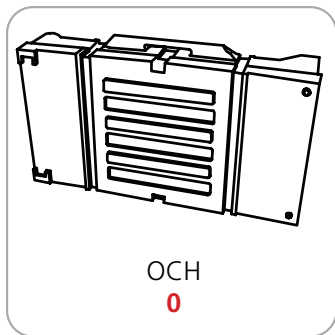
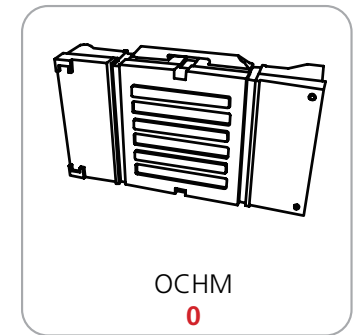
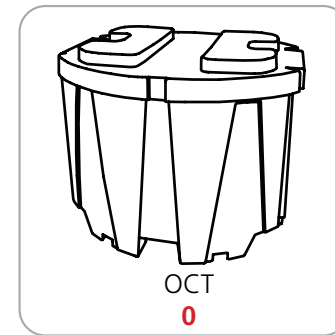
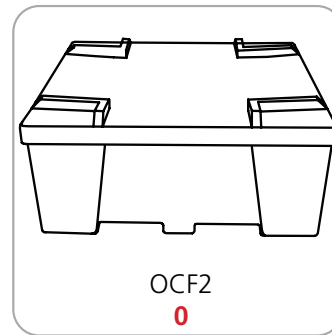
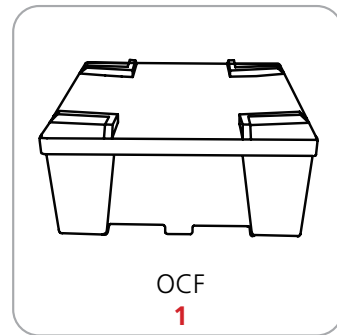
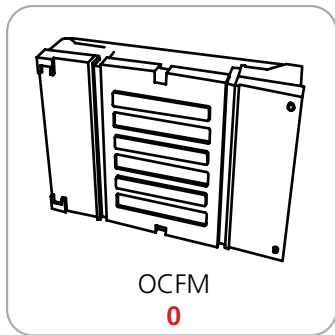
 OR-CIS-45
0

 OR-ATL-CNTR
0

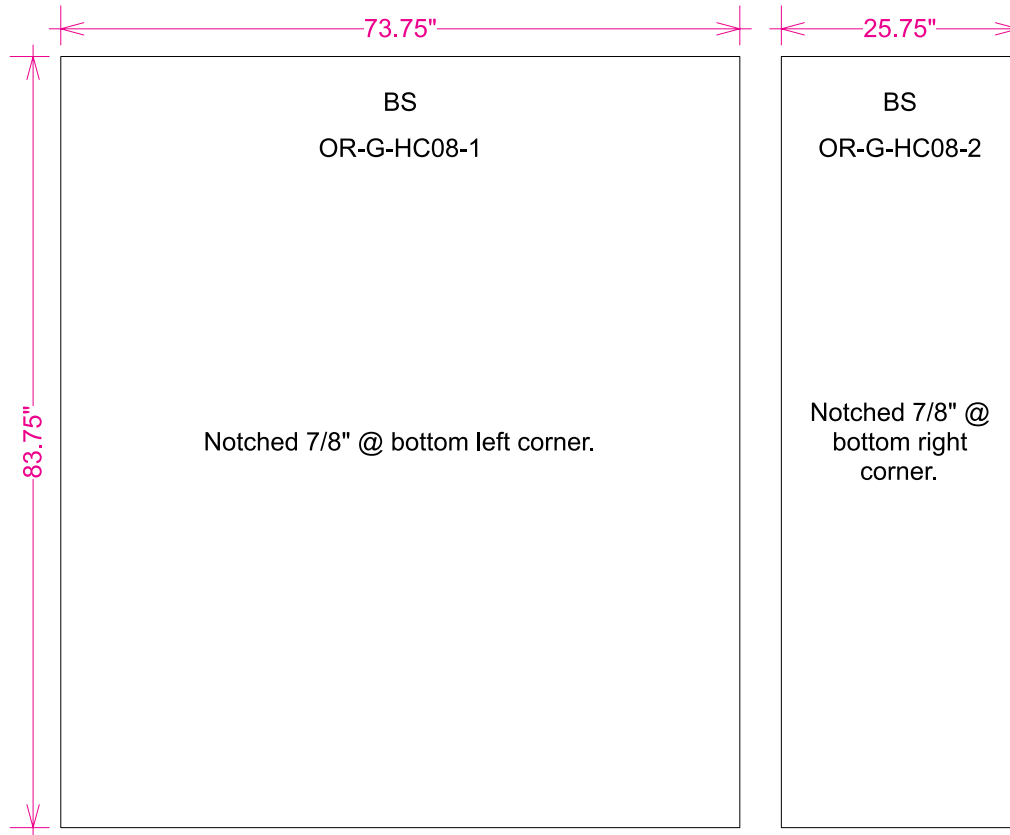
HERCULES 08 TABLETOP ACCESSORY PIECE COUNT:



HERCULES 08 CASE COUNT:



HERCULES 08 GRAPHIC SPECS:
AVAILABLE GRAPHICS – UV & DYE SUBLIMATION



Acceptable File formats:

Illustrator CS6 or below
Photoshop CS6 or below
Art time will be charged if files need to be fixed or altered to meet guidelines. When sending files please be sure to include all support art (fonts, linked images, etc.)

Font Specifications:

Fonts must be converted to outlines.

Bleeds:

All orbital truss graphics require specific bleeds. The sizes listed above represent the finished graphic size. Please keep all logos, type and critical information at least 1" in from each edge of the finished graphic.

Dye Sublimation: 2" bleed around the perimeter.

UV: 1/2" bleed around the perimeter.

Color:

All files are printed as CMYK format. All critical Pantone colors need to be called out in the file or specified on the order as Coated or Uncoated swatches.

Resolution:

All raster files (either print files or linked files) must be at 100-120 pixels per inch at 100%

Finishing Details:

When graphics are notched, a 7/8" square is cut in the appropriate location.

FS: Graphics mounted to front of truss system

BS: Graphics mounted to back of truss system

Dye Sublimation graphics are attached to truss with velcro. UV panels are attached to truss with magnet.

To ensure quality, please note:

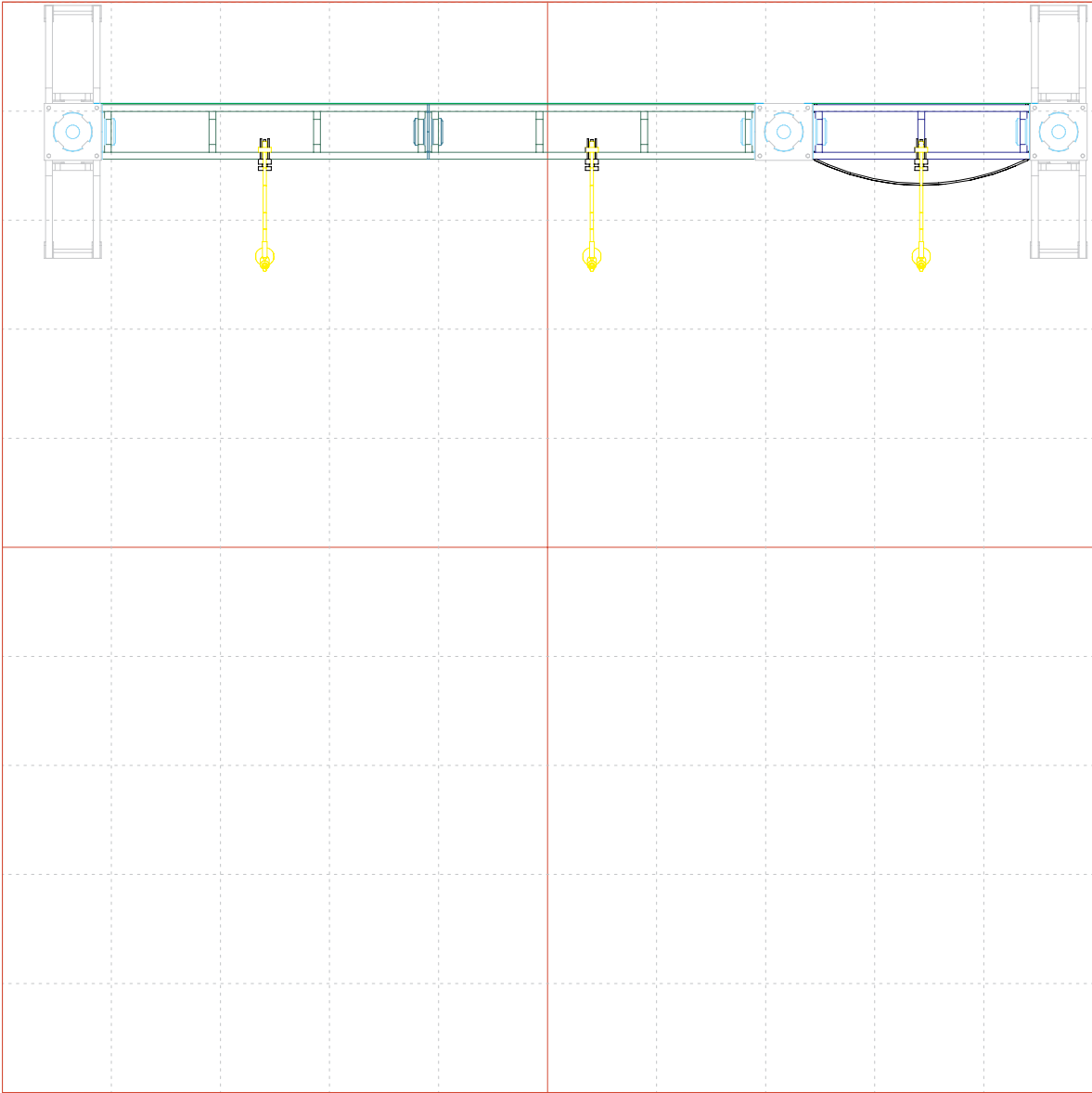
Each graphic has a specific code or number located on the graphic. The electronic print files provided must be named accordingly. Using this coding system will allow us to preflight and prepare your files for print more efficiently. **If you fail to provide your graphic files in this format, additional charges may be necessary to complete your printed materials.**

HERCULES 08 FLOOR PLAN:

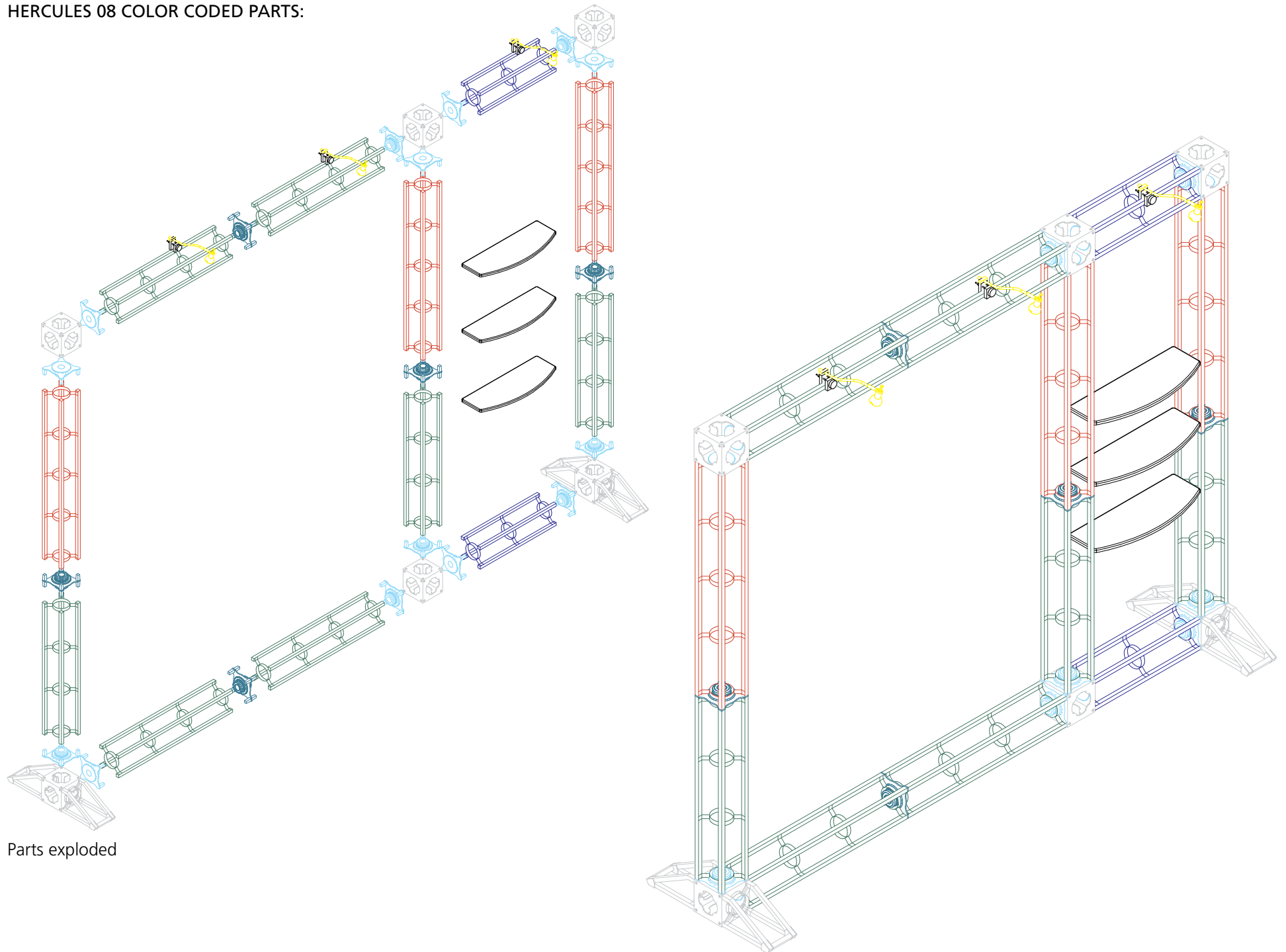
SCALE REF = 5ft



10' d X 10' w Inline



HERCULES 08 COLOR CODED PARTS:



Parts exploded