

## HELIOS 10x10 ORBITAL TRUSS KIT

**Have a Question?**

Please contact [support@tradeshowplus.com](mailto:support@tradeshowplus.com)

The Helios 10ft x 10ft inline Orbital Express Truss™ exhibit is an off-the-shelf modular kit with a modern appearance, which features a rounded square backwall that rounds the entirety of the space for 360 degree messaging. A central shelf and graphic in the front of the exhibit creates space for greeting visitors. Graphic panels are illuminated by three low voltage spotlights. The Helios Truss display can be reconfigured into a variety of display combinations using only the parts included in the kit. High-quality custom graphics are available in dye-sublimated fabric or UV printed rollable PVC graphics.



We are continually improving and modifying our product range and reserve the right to vary the specifications without prior notice. All dimensions and weights quoted are approximate and we accept no responsibility for variance. E&OE. See Graphic Templates for graphic bleed specifications.

### FEATURES & BENEFITS

#### Kit Includes

12 x 6-way junction boxes  
 1 x 24" straight truss lengths  
 6 x 36" straight truss lengths  
 11 x 46" straight truss lengths  
 6 x 90° curved truss length  
 Full set of quicklock connectors  
 4 x junction bases  
 1 x 24" internal shelf\*  
 3 x 12 watt LED spotlights  
 2 x OCF molded cases

- 10' x 10' kit size
- Custom appearance
- Toolless assembly
- Simple twist and lock design
- 5 year warranty against manufacturer defects

### DIMENSIONS

#### Assembled unit :

118.98"w x 95"h x 118.98"d

#### Cases:

(2) OCF: 51"L x 39"W x 24"D each

#### Shipping Weight:

425 lbs

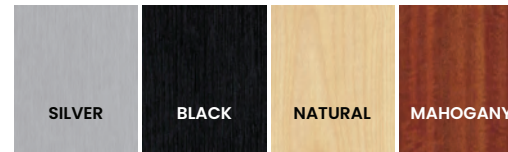
### GRAPHICS

Refer to related graphic template for specific information on sizes and bleeds. Dye-sublimated graphic require different bleed than UV.

#### Visit:

<https://tradeshowplus.com>

### COUNTER AND SHELF FINISHES





### ADDITIONAL INFORMATION


\*Shelf max weight = 25 lbs / 11.34 kgs

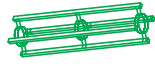
\*Shelf color options: silver, black, mahogany, natural

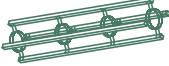
HELIOS PIECE COUNT:

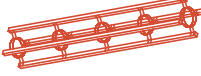
 OR-J-3  
12


 OR-J-DBL  
0


 OR-24-2  
1

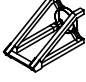
 OR-30-2  
0

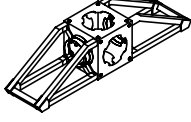
 OR-36-2  
6

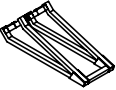
 OR-46-2  
11


 OR-45-CV-3  
0


 OR-90-CV-2  
6


 OR-B90  
4


 OR-B90A  
0


 OR-B45  
0


 OR-TOOL-B  
1

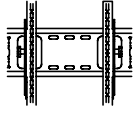
 OR-QL-T2J  
30

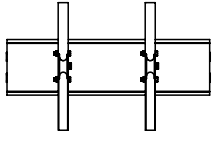
 OR-QL-T2T  
8

 OR-UNC-QL  
6

 OR-STG  
0


 OR-LCD1-B  
0


 OR-LCD2-B  
0


 OR-LCD3-B  
0


 SPOTLIGHT  
3


 OR-TBL  
0


 OR-TBL2-L  
0


 OR-TBL2-R  
0


 OR-IS-24 1


 OR-IS-36 0

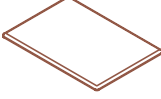
 OR-IS-46 0

 OR-IS-48 0

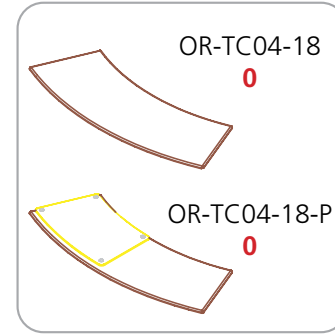
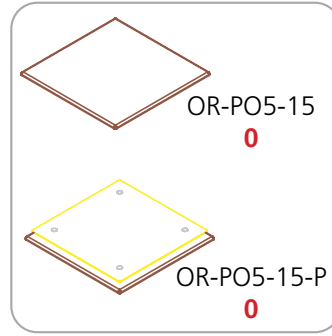
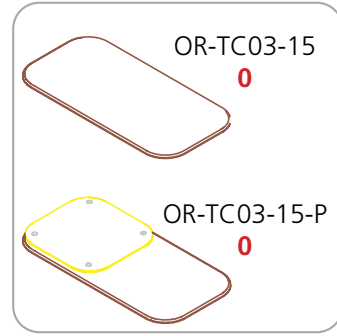
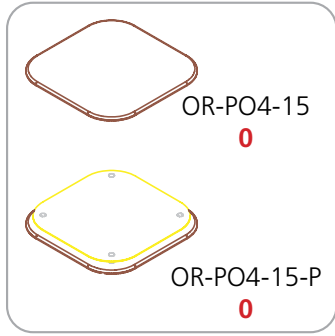
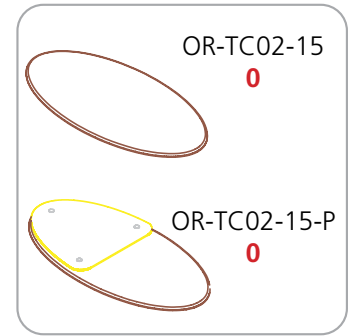
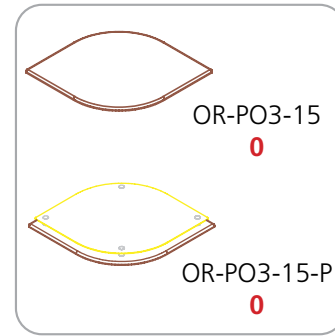
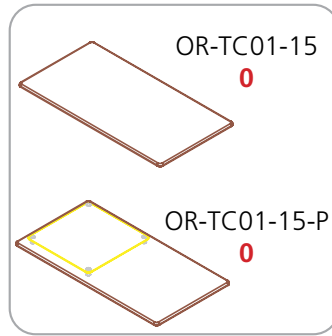
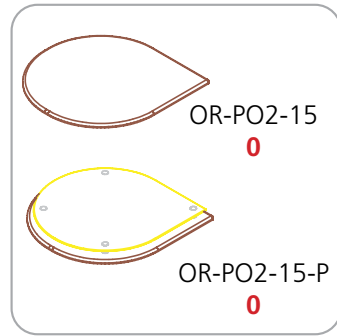
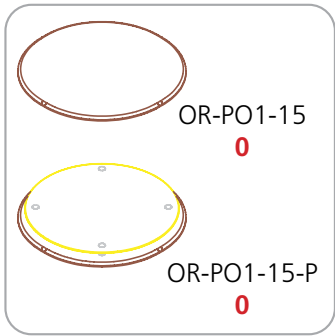
 OR-CIS-90  
0

 OR-SE-IS-90  
0

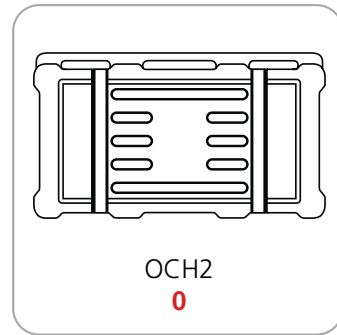
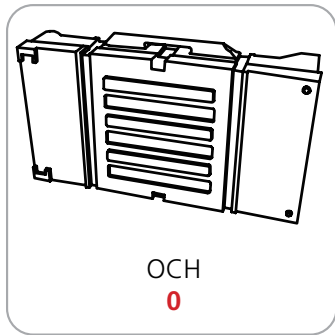
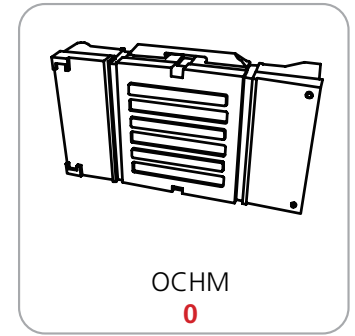
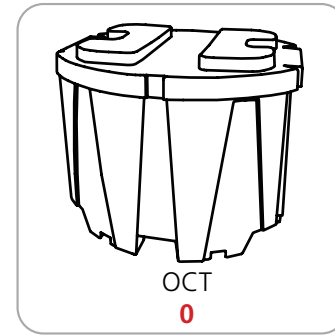
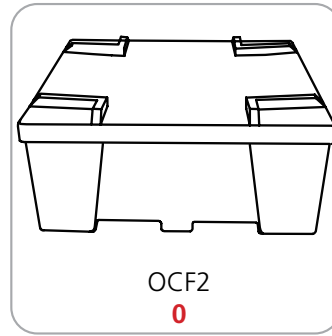
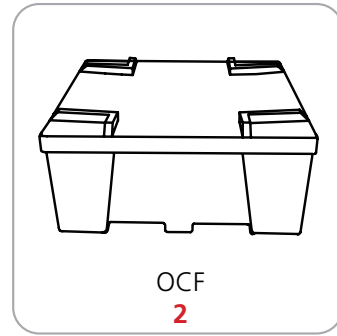
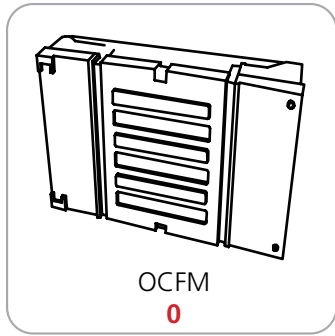
 OR-CIS-45  
0

 OR-ATL-CNTR  
0

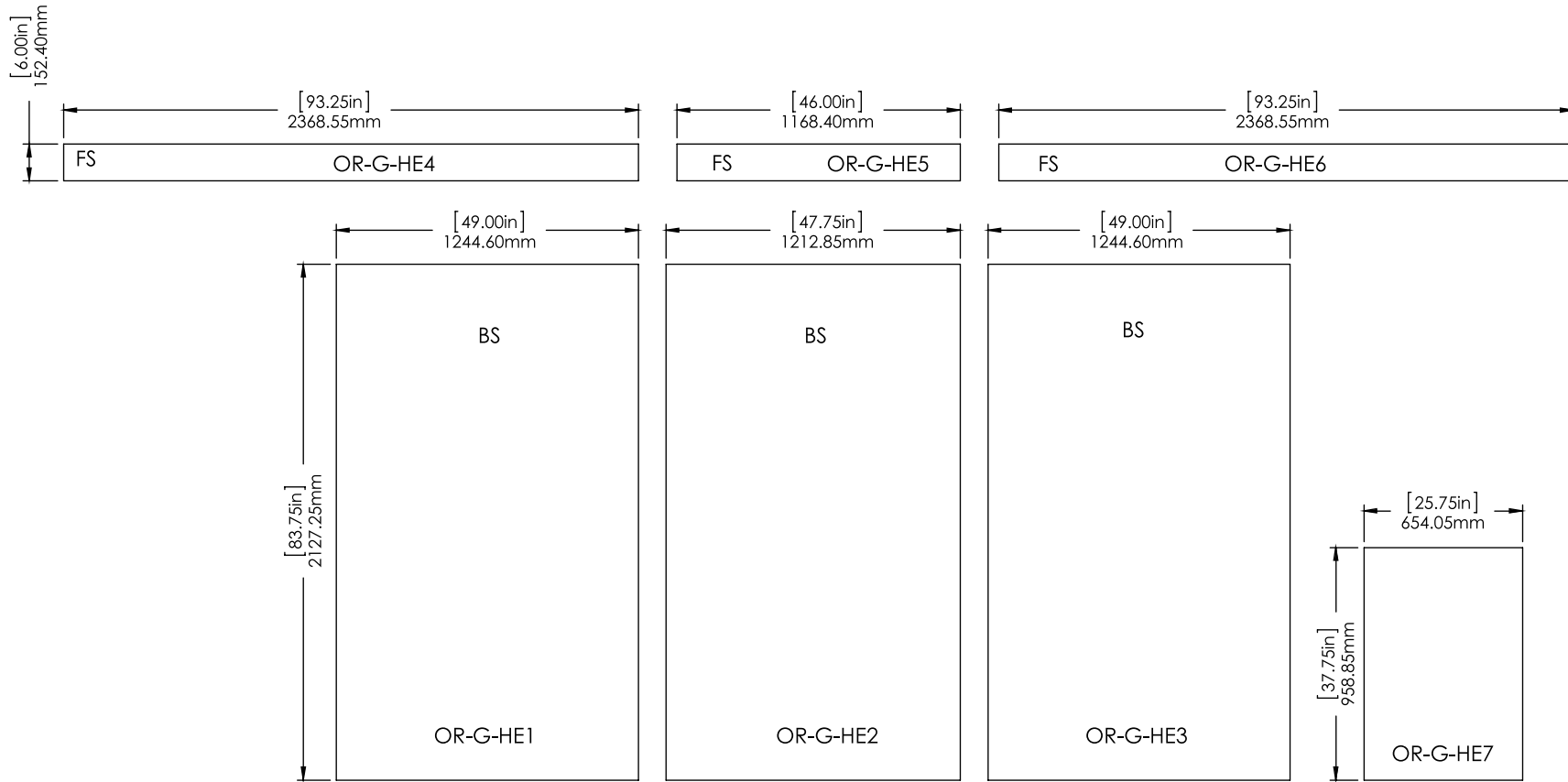
HELIOS TABLETOP ACCESSORY PIECE COUNT:



HELIOS CASE COUNT:



**HELIOS GRAPHIC SPECS:  
AVAILABLE GRAPHICS – UV & DYE SUBLIMATION**



**Acceptable File formats:**

Illustrator CC or below  
Photoshop CC or below  
Art time will be charged if files need to be fixed or altered to meet guidelines. When sending files please be sure to include all support art (fonts, linked images, etc.)

**Font Specifications:**

Fonts must be converted to outlines.

**Bleeds:**

All orbital truss graphics require specific bleeds. The sizes listed above represent the finished graphic size. Please keep all logos, type and critical information at least 1" in from each edge of the finished graphic.

**Dye Sublimation:** 2" bleed around the perimeter.

**UV:** 1/2" bleed around the perimeter.

**Color:**

All files are printed as CMYK format. All critical Pantone colors need to be called out in the file or specified on the order as Coated or Uncoated swatches.

**Resolution:**

All raster files (either print files or linked files) must be at 100-120 pixels per inch at 100%

**Finishing Details:**

When graphics are notched, a 7/8" square is cut in the appropriate location.

**FS:** Graphics mounted to front of truss system

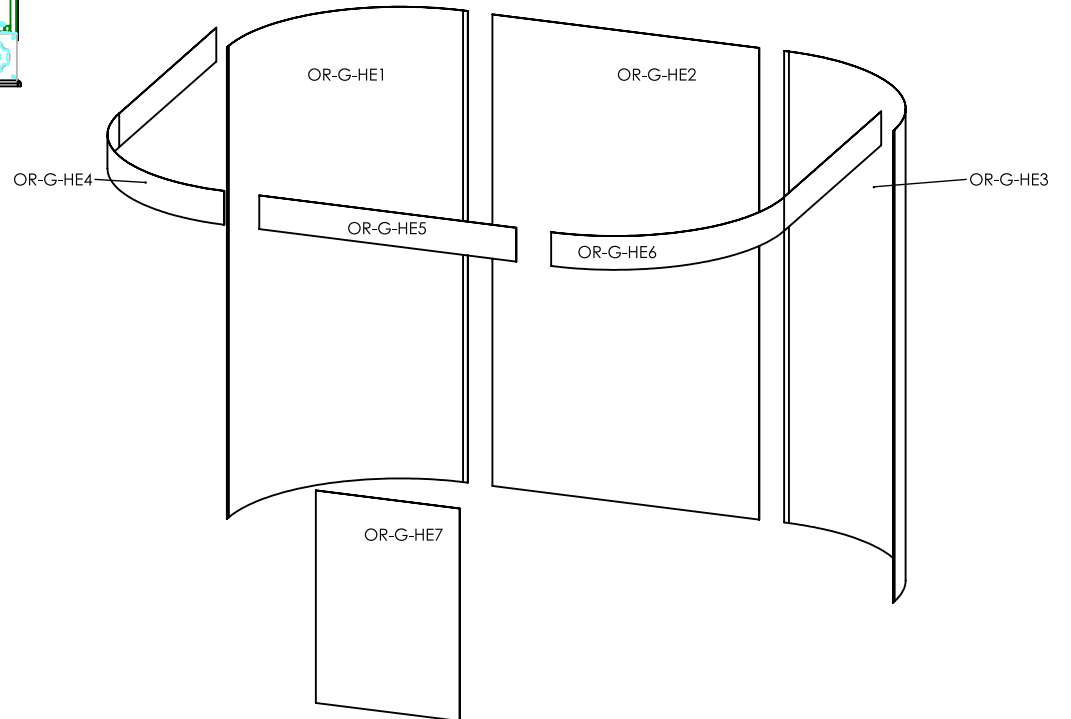
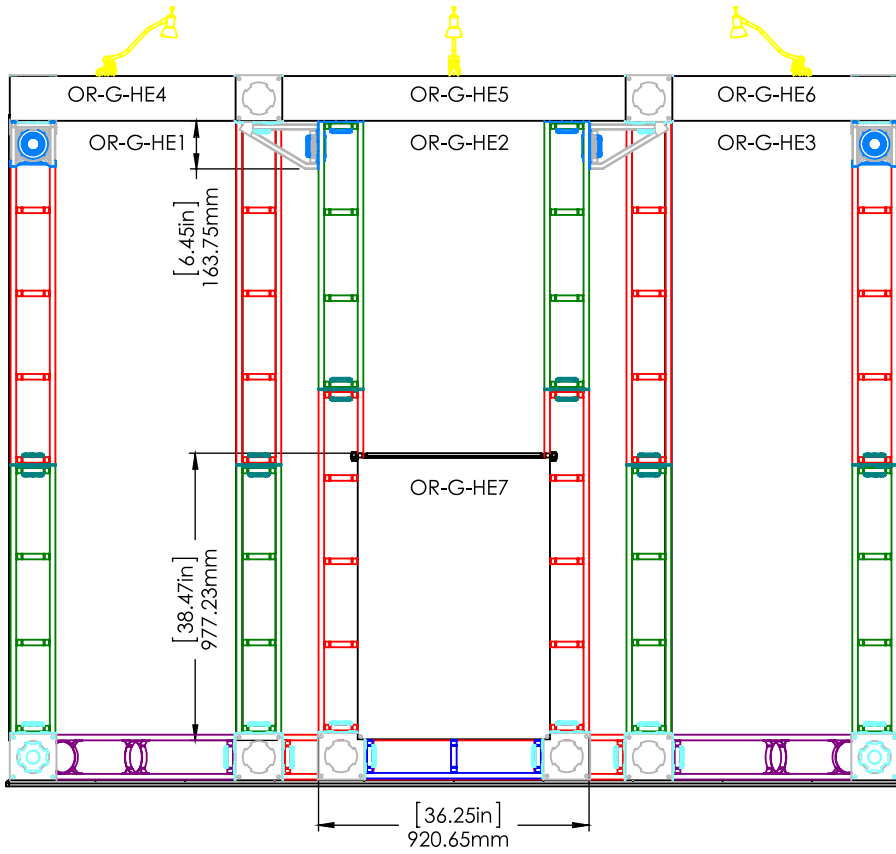
**BS:** Graphics mounted to back of truss system

Dye Sublimation graphics are attached to truss with velcro. UV panels are attached to truss with magnet.

**To ensure quality, please note:**

Each graphic has a specific code or number located on the graphic. The electronic print files provided must be named accordingly. Using this coding system will allow us to preflight and prepare your files for print more efficiently. **If you fail to provide your graphic files in this format, additional charges may be necessary to complete your printed materials.**

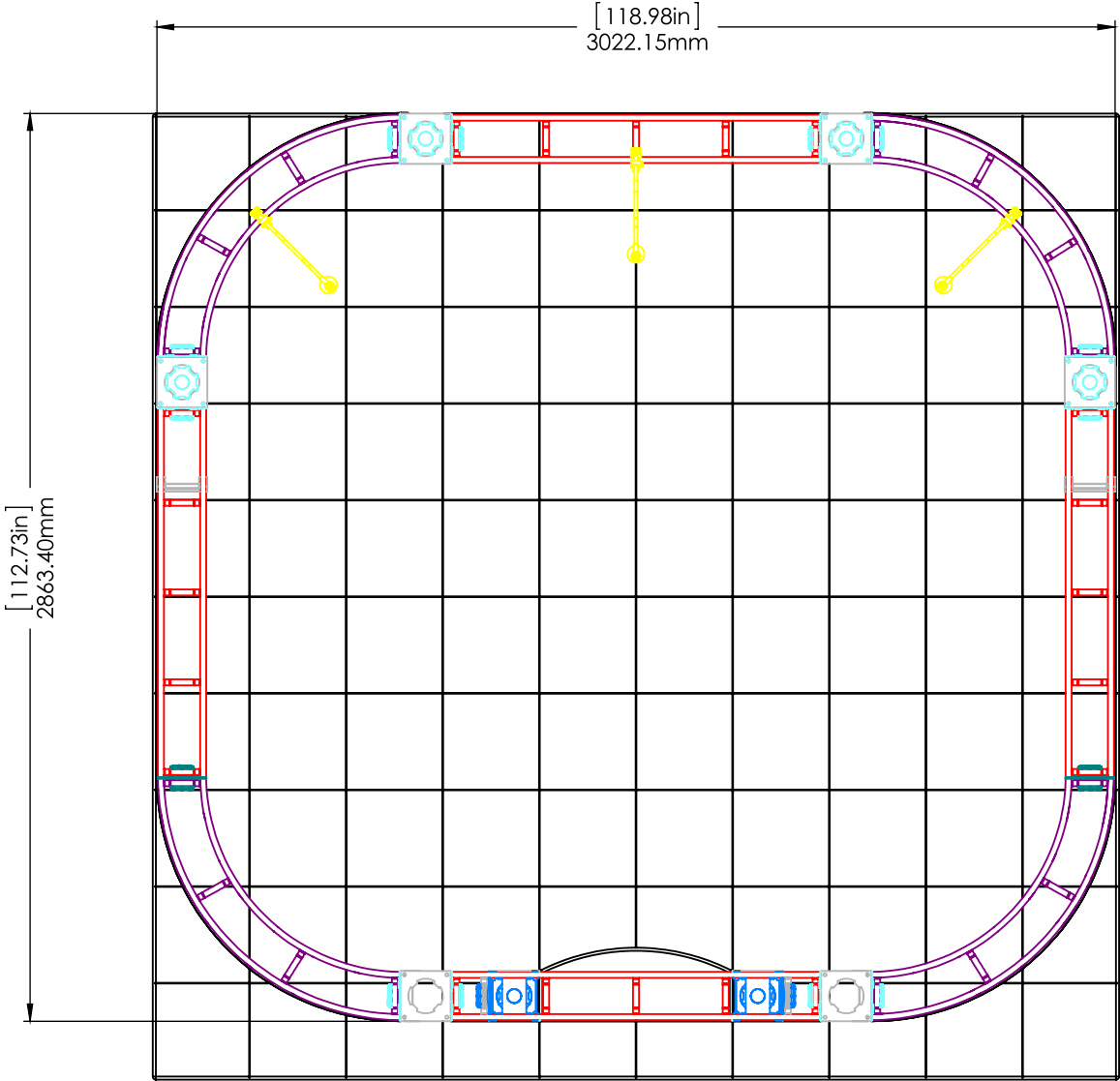
HELIOS GRAPHIC LAYOUT:



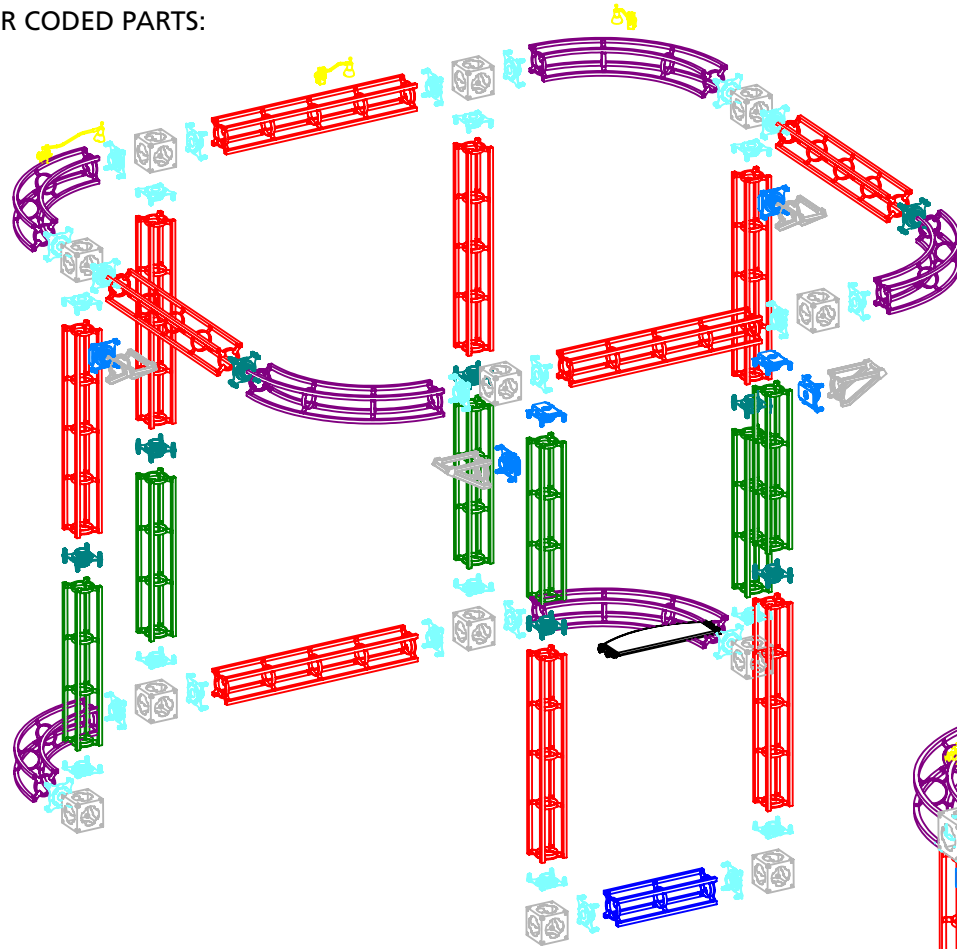
HELIOS FLOOR PLAN:

SCALE REF = 5ft

10'd x 10'w Inline



HELIOS COLOR CODED PARTS:



Parts exploded

