

APEX 10x20 ORBITAL TRUSS KIT

Have a Question?

Please contact support@tradeshowplus.com

The Apex 10ft x 20ft inline Orbital Express Truss exhibit is a professionally designed "off-the-shelf" kit that comes complete with all the parts, fixtures and fittings you need to create a successful exhibit, including steel truss lengths, connectors and accessories. Apex features a curved front counter with space for messaging, and dual monitor mounts, tabletops and literature racks that attach to the backwall and provide additional space for branding and displaying printed materials. Brand messaging pops on dye-sublimated fabric graphic panels. Apex also includes six low voltage spotlights that illuminate the exhibit. This versatile system can be reconfigured in multiple ways and combinations using the same parts.



FEATURES & BENEFITS

Kit Includes

4 x 6-way junction boxes
 4 x double junction boxes
 2 x 30" straight truss lengths
 9 x 36" straight truss lengths
 9 x 46" straight truss lengths
 14 x 45° curved truss lengths
 Full set of quicklock connectors
 2 x junction bases
 2 x adjustable tabletops*
 1 x curved counter**
 2 x monitor mounts***
 2 x literature holders
 6 x 12 watt LED spotlights
 1 x OCF molded case
 2 x OCF2 molded cases

- 10' x 20' kit size
- Custom appearance
- Toolless assembly
- Simple twist and lock design
- 5 year warranty against manufacturer defects

DIMENSIONS

Assembled unit :

Display: 223"w x 95"h x 43"d
 Counters: 61"w x 37"h x 28"d

Cases:

1 x OCF (51"L x 39"H x 24"D)
 2 x OCF2 (51"L x 51"H x 23"D) each

Shipping Weight:

691 lbs

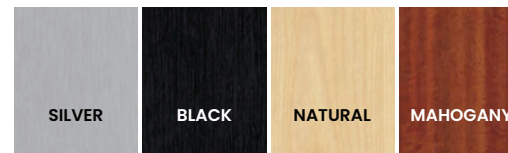
GRAPHICS

Refer to related graphic template for specific information on sizes and bleeds.

Visit:

<https://tradeshowplus.com>

COUNTER AND SHELF FINISHES



ADDITIONAL INFORMATION


*Tabletop max = 25 lbs

***Monitor mount holds 13" - 39" LCD, max = 50 lbs


**Counter max = 35 lbs

***Kit does not include monitors


APEX PIECE COUNT:




OR-J-3
4



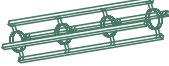
OR-J-DBL
4



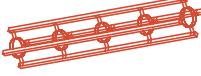
OR-24-2
0




OR-30-2
2




OR-36-2
9



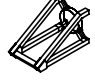
OR-46-2
9



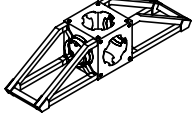
OR-45-CV-3
14



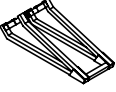
OR-90-CV-2
0




OR-B90
0




OR-B90A
2




OR-B45
0




OR-TOOL-B
2




OR-QL-T2J
30



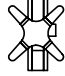
OR-QL-T2T
15



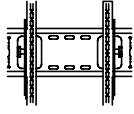
OR-UC-QL
8



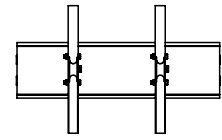
OR-STG
2



OR-LCD1-B
2



OR-LCD2-B
0




OR-LCD3-B
0




SPOTLIGHT
6




OR-TBL
0




OR-TBL2-L
1




OR-TBL2-R
1




OR-IS-24 0




OR-IS-36 0




OR-IS-46 0




OR-IS-48 0



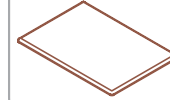
OR-CIS-90
0



OR-SE-IS-90
0

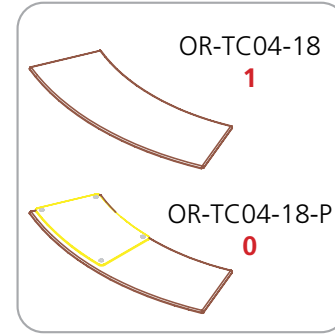
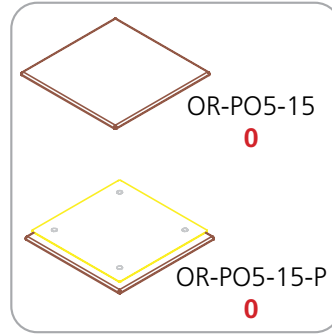
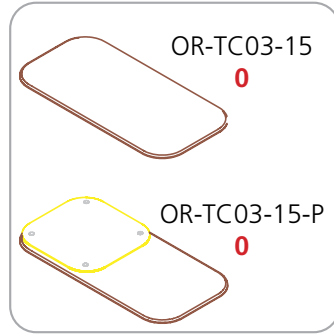
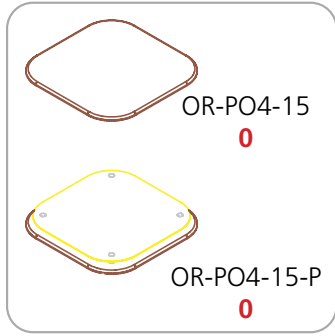
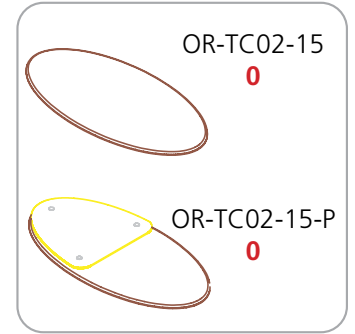
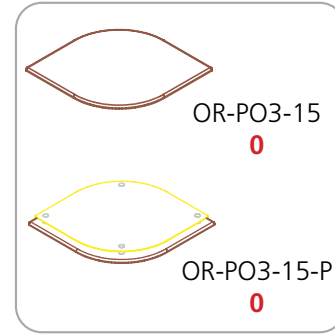
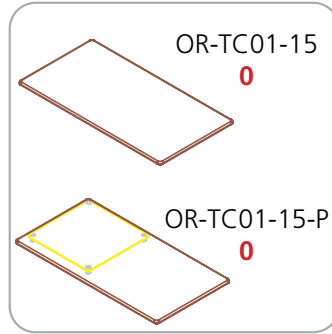
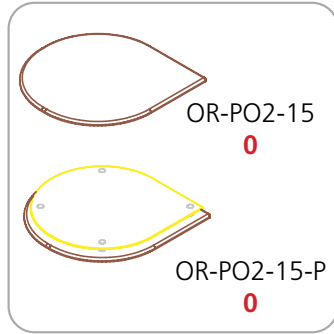
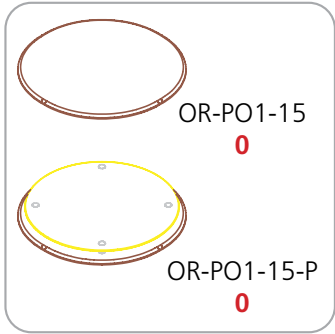


OR-CIS-45
0

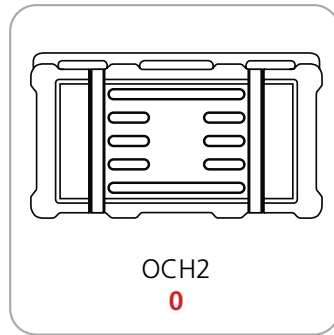
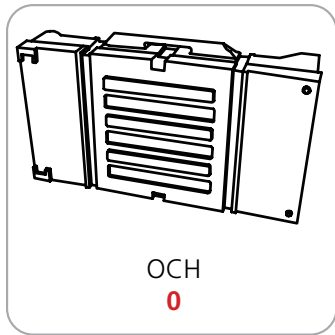
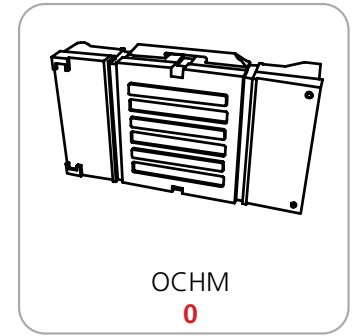
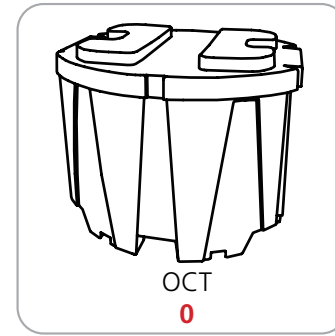
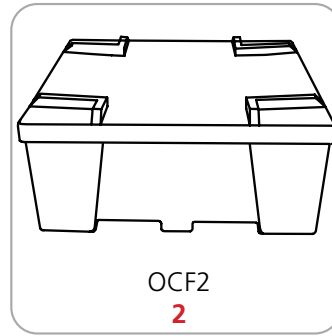
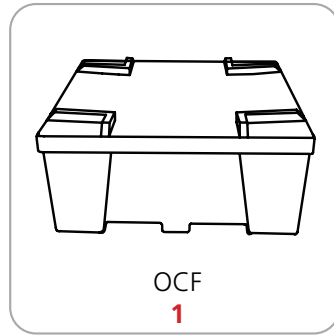
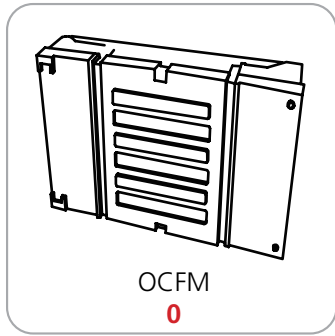


OR-ATL-CNTR
0

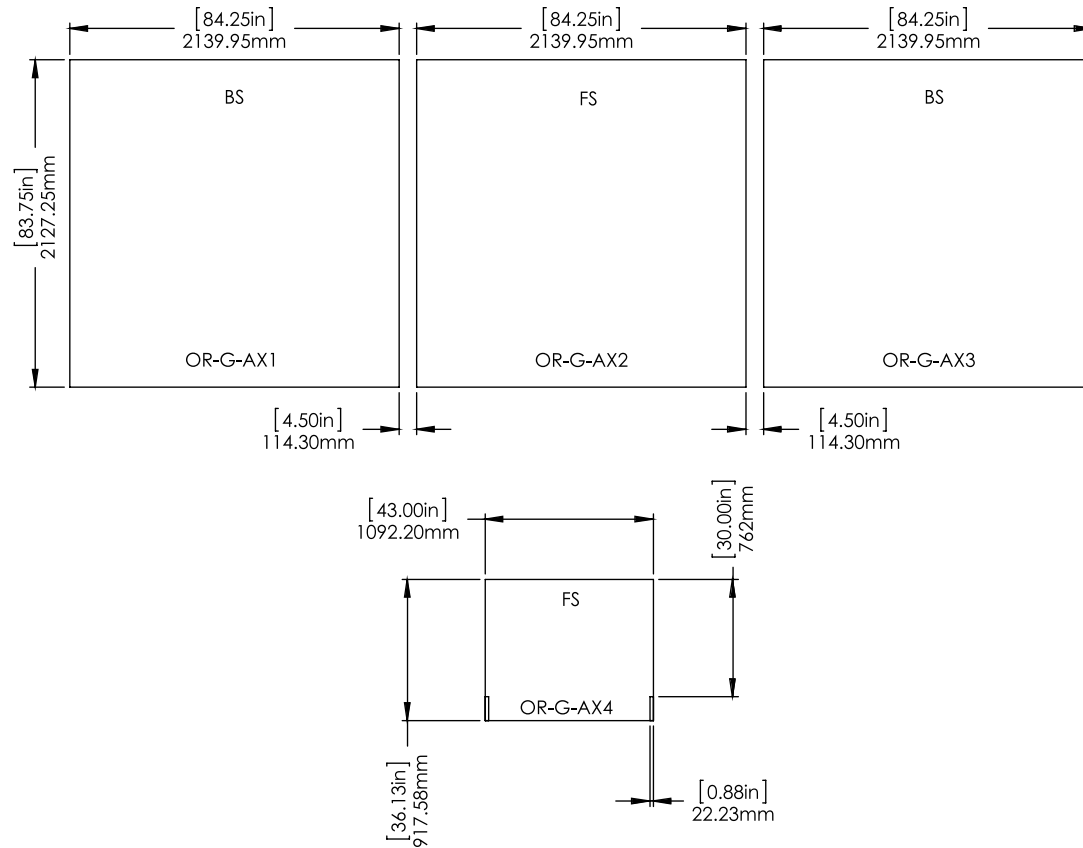
APEX TABLETOP ACCESSORY PIECE COUNT:



APEX CASE COUNT:



**APEX GRAPHIC SPECS:
AVAILABLE GRAPHICS – DYE SUBLIMATION**



Acceptable File formats:

Illustrator CC or below
Photoshop CC or below
Art time will be charged if files need to be fixed or altered to meet guidelines. When sending files please be sure to include all support art (fonts, linked images, etc.)

Font Specifications:

Fonts must be converted to outlines.

Bleeds:

All orbital truss graphics require specific bleeds. The sizes listed above represent the finished graphic size. Please keep all logos, type and critical information at least 1" in from each edge of the finished graphic.

Dye Sublimation: 2" bleed around the perimeter.

UV: 1/2" bleed around the perimeter.

Color:

All files are printed as CMYK format. All critical Pantone colors need to be called out in the file or specified on the order as Coated or Uncoated swatches.

Resolution:

All raster files (either print files or linked files) must be at 100-120 pixels per inch at 100%

Finishing Details:

When graphics are notched, a 7/8" square is cut in the appropriate location.

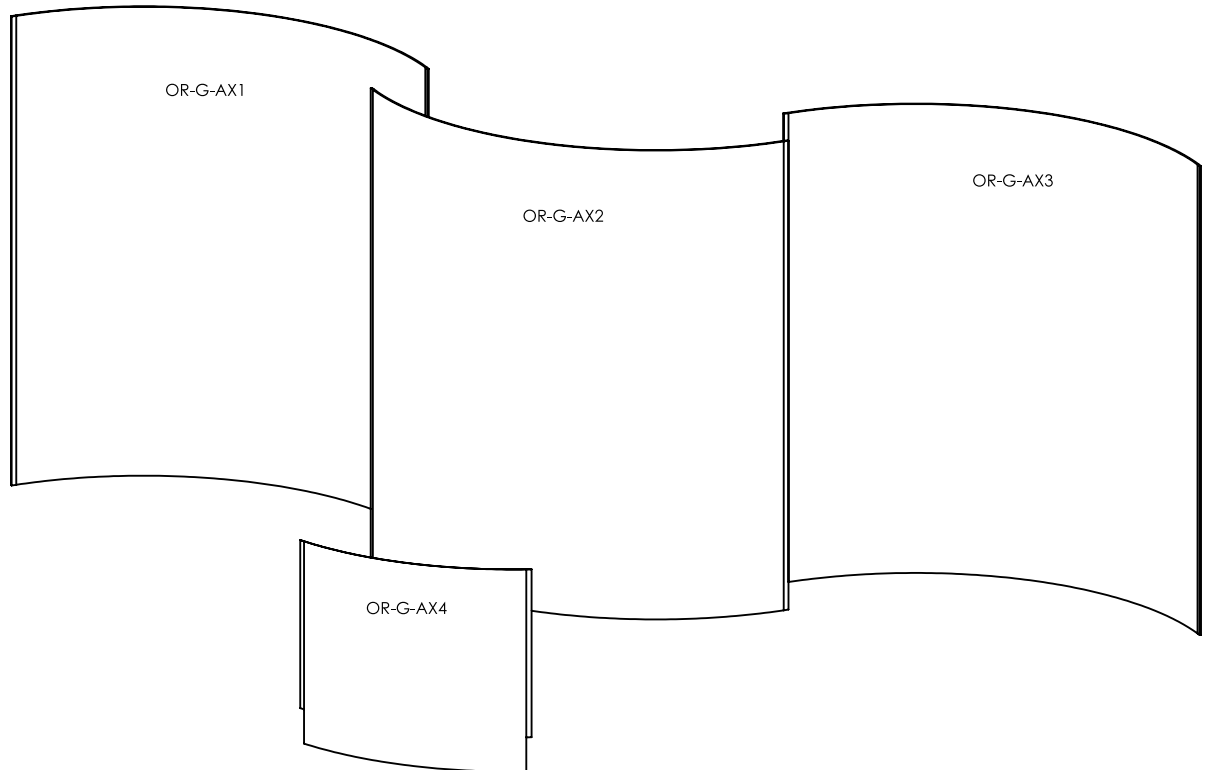
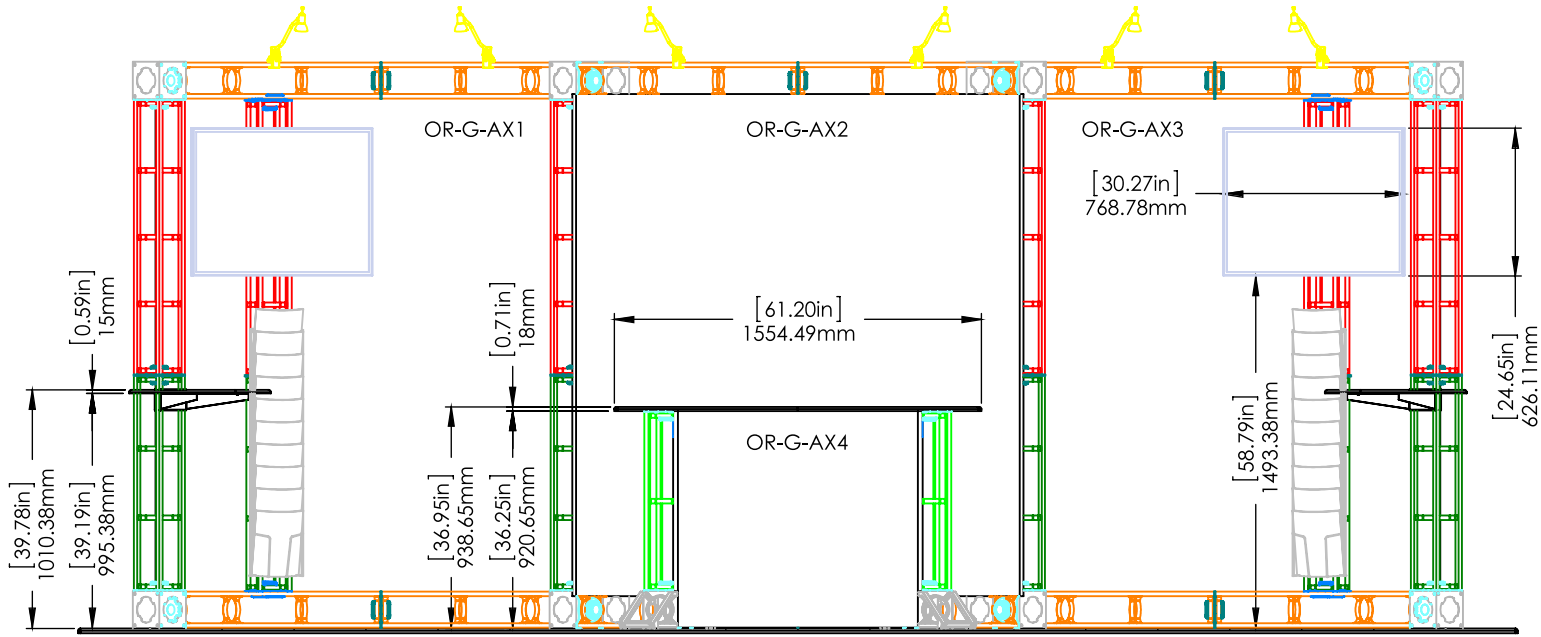
FS: Graphics mounted to front of truss system
BS: Graphics mounted to back of truss system

Dye Sublimation graphics are attached to truss with velcro. UV panels are attached to truss with magnet.

To ensure quality, please note:

Each graphic has a specific code or number located on the graphic. The electronic print files provided must be named accordingly. Using this coding system will allow us to preflight and prepare your files for print more efficiently. **If you fail to provide your graphic files in this format, additional charges may be necessary to complete your printed materials.**

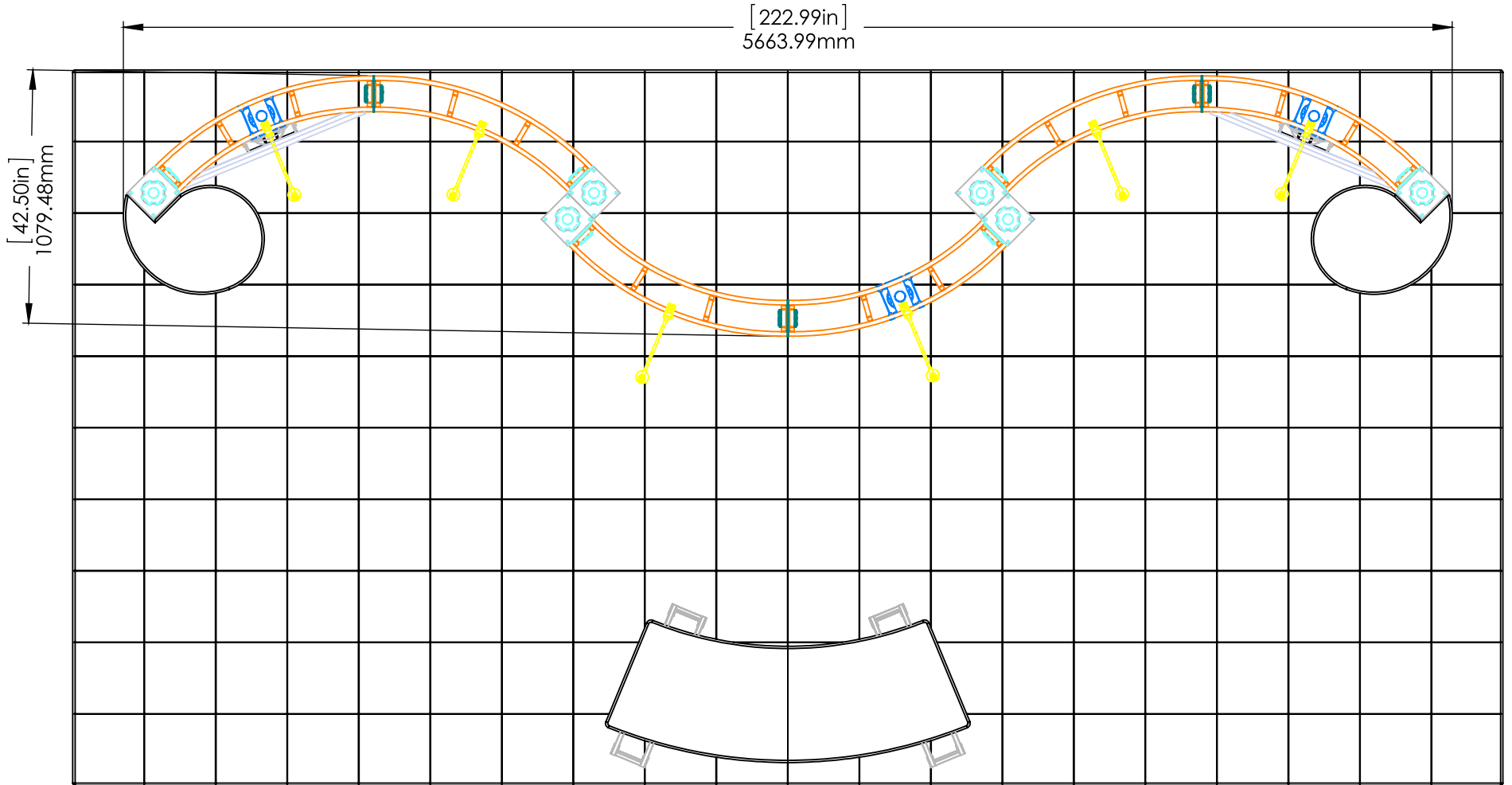
APEX GRAPHIC LAYOUT:



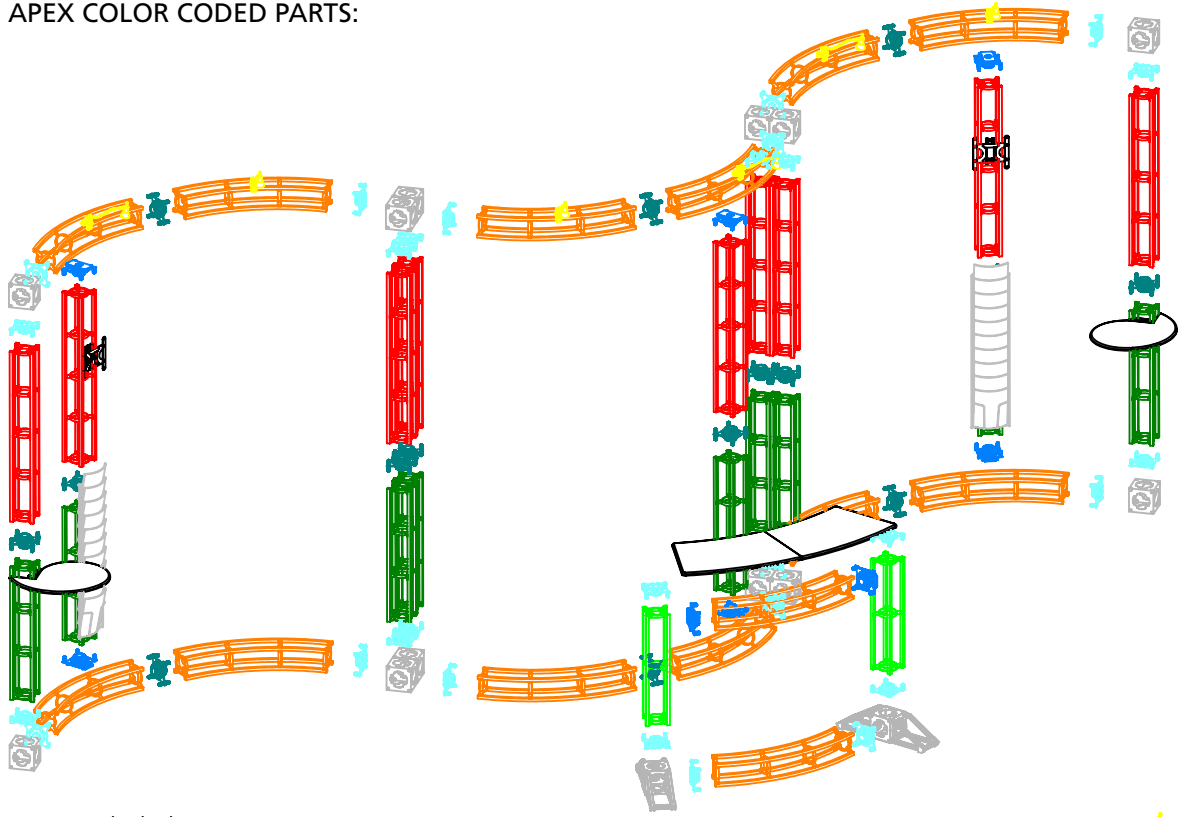
APEX FLOOR PLAN:

SCALE REF = 5ft

10'd x 20'w Inline



APEX COLOR CODED PARTS:



Parts exploded

