

AARHUS 20x20 ORBITAL TRUSS KIT

Have a Question?

Please contact support@tradeshowplus.com

The Aarhus 20ft x 20ft Island Orbital Express Truss exhibit is a dynamic modular kit, constructed with sturdy steel truss lengths that provide a professional feel to your display. Aarhus features two counters and monitor mounts to add messaging and product, and comes with 14 low voltage spotlights that illuminate the exhibit. This versatile system can be reconfigured in multiple ways and combinations using the same parts. Optional dye-sublimated fabric or UV printed rollable PVC graphics.



FEATURES & BENEFITS

Kit Includes

22 x 6-way junction boxes
 4 x 30" straight truss lengths
 20 x 36" straight truss lengths
 26 x 46" straight truss lengths
 4 x 45° curved truss lengths
 8 x 90° curved truss lengths
 Full set of quick-lock connectors
 4 x junction bases
 2 x counters*
 2 x monitor mounts**
 14 x 12 watt LED spotlights
 1 x OCF molded case
 2 x OCF2 molded cases
 1 x OCT molded case

- 20' x 20' kit size
- Custom appearance
- Toolless assembly
- Simple twist and lock design
- 5 year warranty against manufacturer defects

SHIPPING

Cases:

1 x OCF (51"L x 39"H x 24"D)
 2 x OCF2 (51"L x 51"H x 23"D) each
 1 x OCT (51"L x 48"H x 42"D)

Shipping Weight:

1,200 lbs

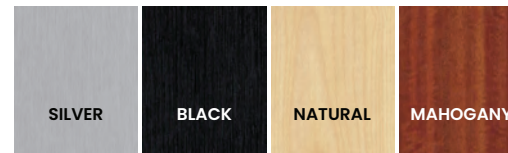
GRAPHICS

Refer to related graphic template for specific information on sizes and bleeds.

Visit:

<https://tradeshowplus.com>

COUNTER AND SHELF FINISHES



ADDITIONAL INFORMATION

Graphic materials: Dye sublimated fabric or UV printed panels

*Counter max weight = 35 lbs

*Countertop color options: silver, black, mahogany, natural

**Monitor mount holds 13" - 39" monitor; max weight = 50 lbs


**Monitors not included


We are continually improving and modifying our product range and reserve the right to vary the specifications without prior notice. All dimensions and weights quoted are approximate and we accept no responsibility for variance. E&OE. See Graphic Templates for graphic bleed specifications.


01/28/21




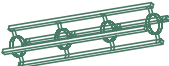
AARHUS PIECE COUNT:

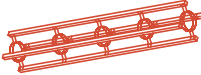
 OR-J-3
22


 OR-J-DBL
0


 OR-24-2
0

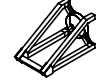
 OR-30-2
4

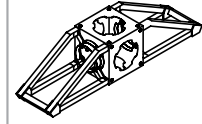
 OR-36-2
20

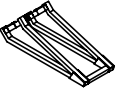
 OR-46-2
26


 OR-45-CV-3
4


 OR-90-CV-2
8


 OR-B90
0


 OR-B90A
4

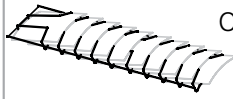
 OR-B45
0

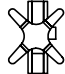
 OR-TOOL-B
3

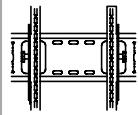
 OR-QL-T2J
70

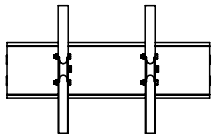
 OR-QL-T2T
22

 OR-UNC-QL
10

 OR-STG
0


 OR-LCD1-B
2


 OR-LCD2-B
0


 OR-LCD3-B
0


 SPOTLIGHT
14


 OR-TBL
0


 OR-TBL2-L
0


 OR-TBL2-R
0


 OR-IS-24 0


 OR-IS-36 0

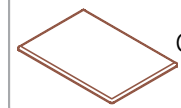
 OR-IS-46 0

 OR-IS-48 0

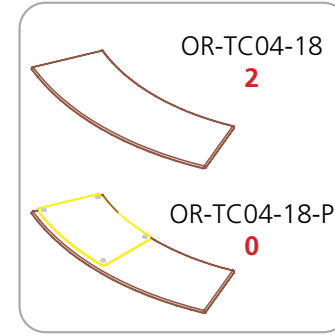
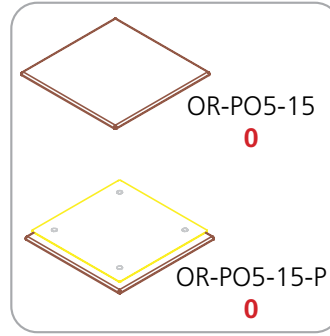
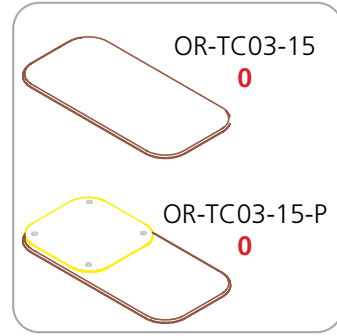
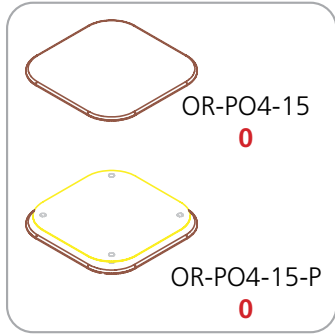
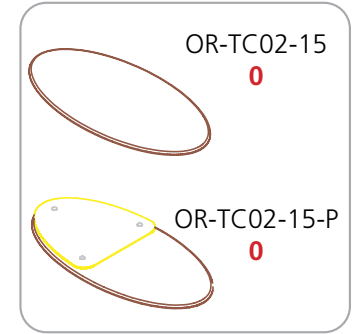
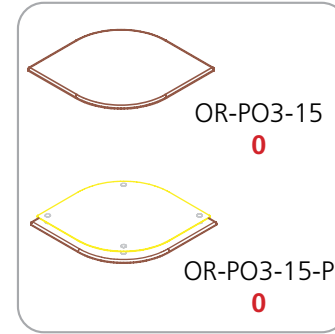
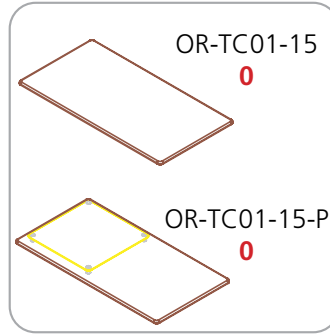
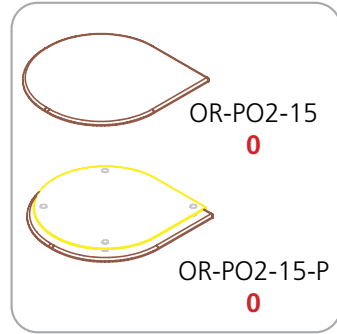
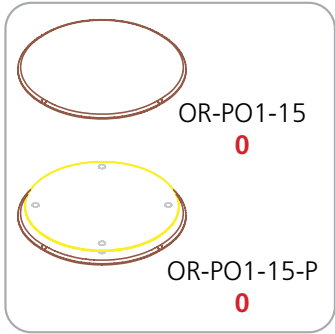
 OR-CIS-90
0

 OR-SE-IS-90
0

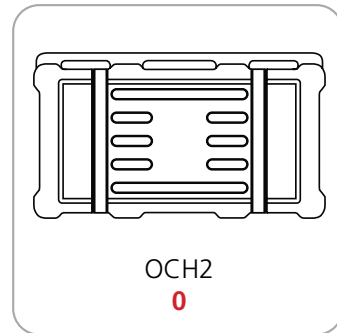
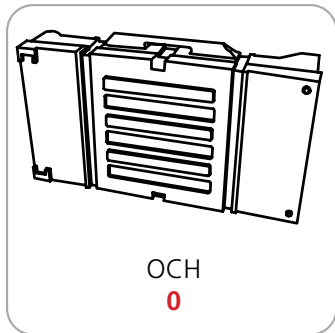
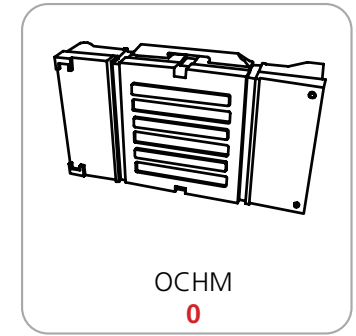
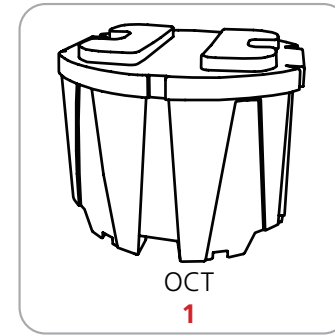
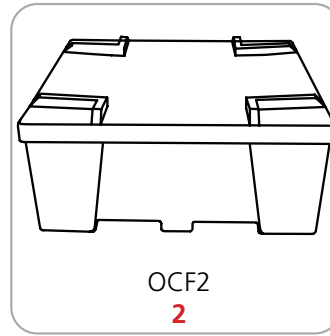
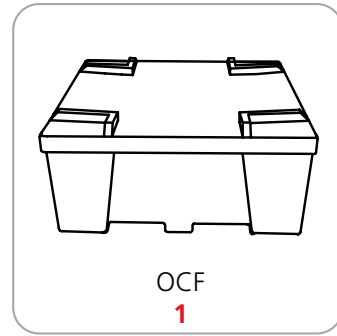
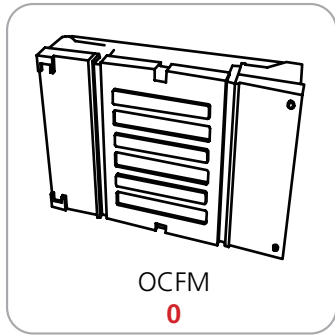
 OR-CIS-45
0

 OR-ATL-CNTR
0

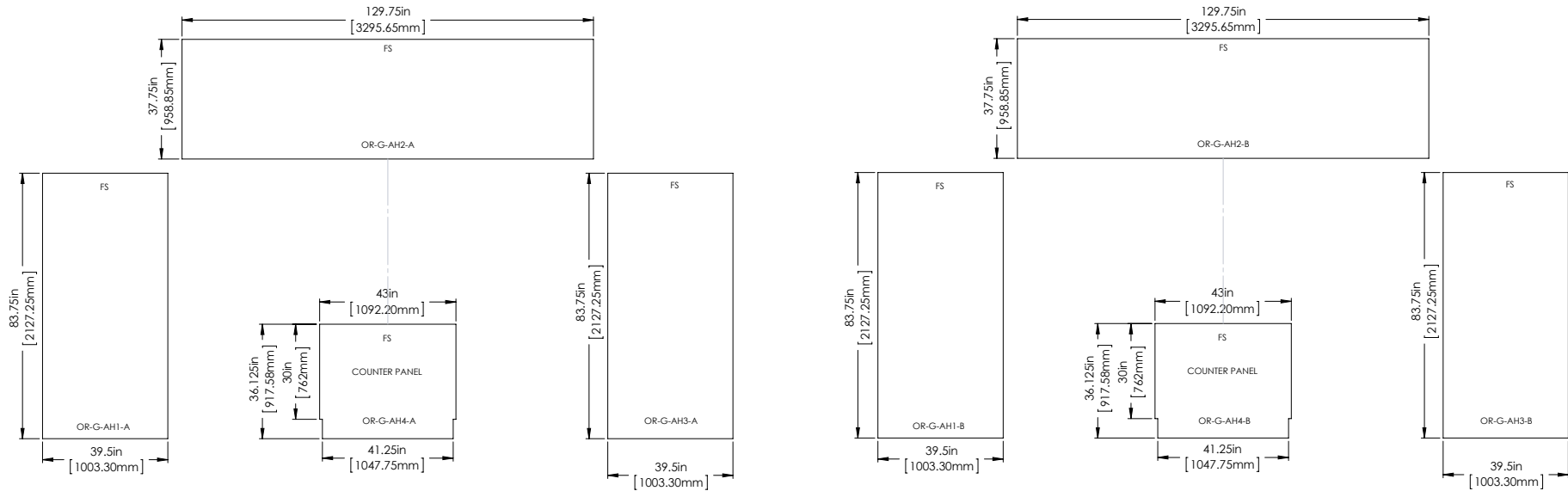
AARHUS TABLETOP ACCESSORY PIECE COUNT:



AARHUS CASE COUNT:



**AARHUS GRAPHIC SPECS:
AVAILABLE GRAPHICS – UV & DYE SUBLIMATION**



Acceptable File formats:

Illustrator CC or below
Photoshop CC or below
Art time will be charged if files need to be fixed or altered to meet guidelines. When sending files please be sure to include all support art (fonts, linked images, etc.)

Font Specifications:

Fonts must be converted to outlines.

Bleeds:

All orbital truss graphics require specific bleeds. The sizes listed above represent the finished graphic size. Please keep all logos, type and critical information at least 1" in from each edge of the finished graphic.

Dye Sublimation: 2" bleed around the perimeter.

UV: 1/2" bleed around the perimeter.

Color:

All files are printed as CMYK format. All critical Pantone colors need to be called out in the file or specified on the order as Coated or Uncoated swatches.

Resolution:

All raster files (either print files or linked files) must be at 100-120 pixels per inch at 100%

Finishing Details:

When graphics are notched, a 7/8" square is cut in the appropriate location.

FS: Graphics mounted to front of truss system

BS: Graphics mounted to back of truss system

Dye Sublimation graphics are attached to truss with velcro. UV panels are attached to truss with magnet.

To ensure quality, please note:

Each graphic has a specific code or number located on the graphic. The electronic print files provided must be named accordingly. Using this coding system will allow us to preflight and prepare your files for print more efficiently. **If you fail to provide your graphic files in this format, additional charges may be necessary to complete your printed materials.**

**AARHUS GRAPHIC SPECS CONTINUED:
AVAILABLE GRAPHICS – UV & DYE SUBLIMATION**



Acceptable File formats:

Illustrator CC or below
Photoshop CC or below
Art time will be charged if files need to be fixed or altered to meet guidelines. When sending files please be sure to include all support art (fonts, linked images, etc.)

Font Specifications:

Fonts must be converted to outlines.

Bleeds:

All orbital truss graphics require specific bleeds. The sizes listed above represent the finished graphic size. Please keep all logos, type and critical information at least 1" in from each edge of the finished graphic.

Dye Sublimation: 2" bleed around the perimeter.

UV: 1/2" bleed around the perimeter.

Color:

All files are printed as CMYK format. All critical Pantone colors need to be called out in the file or specified on the order as Coated or Uncoated swatches.

Resolution:

All raster files (either print files or linked files) must be at 100-120 pixels per inch at 100%

Finishing Details:

When graphics are notched, a 7/8" square is cut in the appropriate location.

FS: Graphics mounted to front of truss system

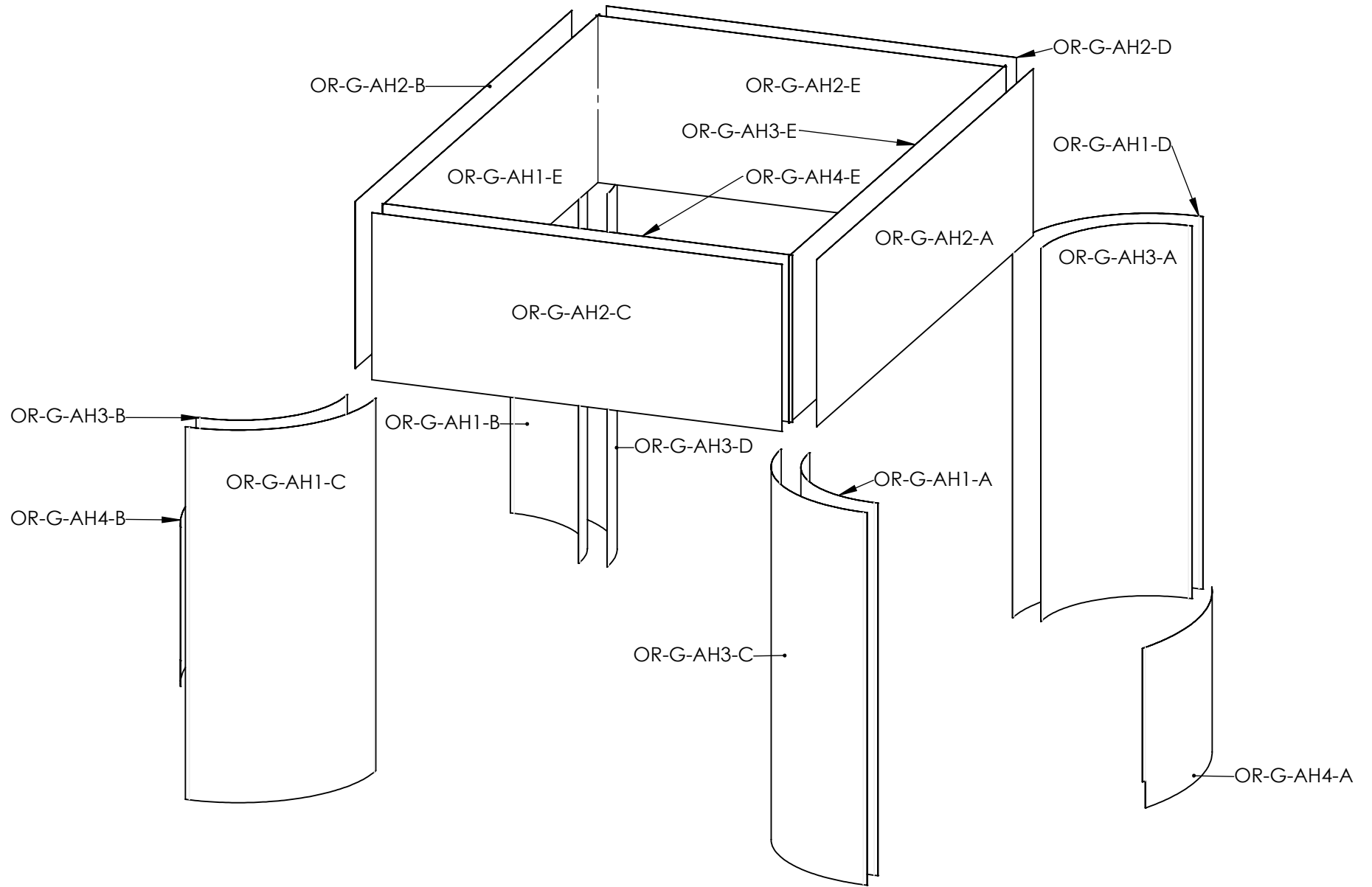
BS: Graphics mounted to back of truss system

Dye Sublimation graphics are attached to truss with velcro. UV panels are attached to truss with magnet.

To ensure quality, please note:

Each graphic has a specific code or number located on the graphic. The electronic print files provided must be named accordingly. Using this coding system will allow us to preflight and prepare your files for print more efficiently. **If you fail to provide your graphic files in this format, additional charges may be necessary to complete your printed materials.**

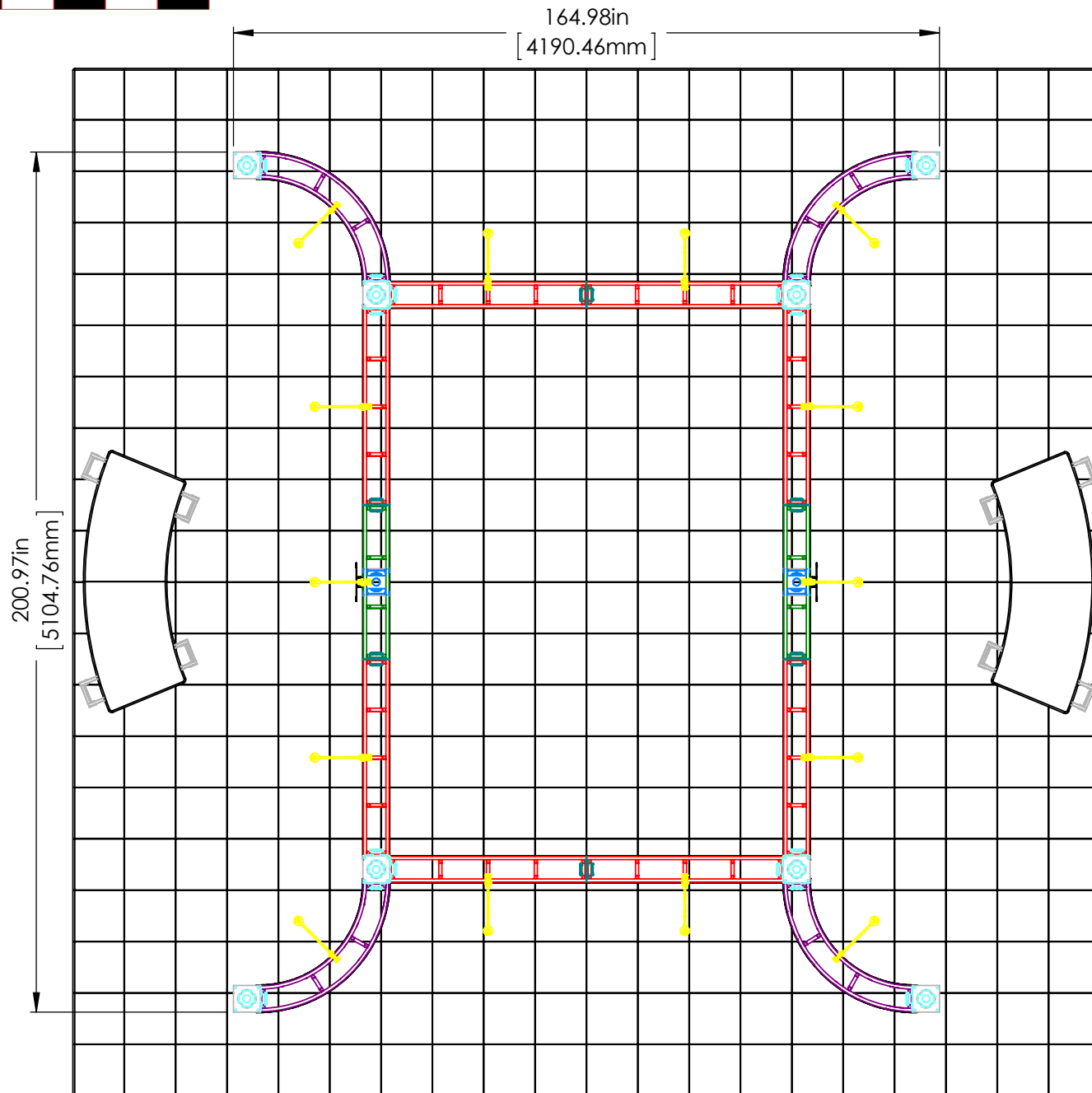
AARHUS GRAPHIC LAYOUT:



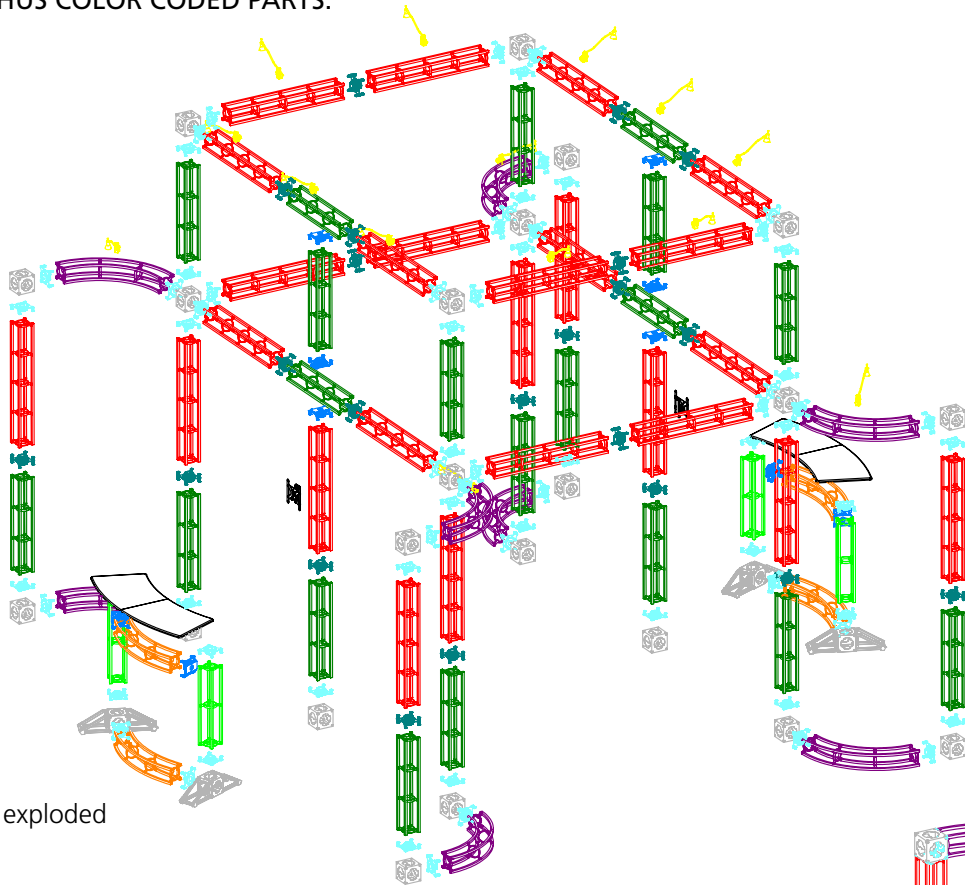
AARHUS FLOOR PLAN:

SCALE REF = 5ft

20'd x 20'w



AARHUS COLOR CODED PARTS:



Parts exploded

