

# Observe Deluxe

The Observe Deluxe is a sleek info center with a sturdy base and back to back literature pockets. The Observe Deluxe is easy to assemble and features a double sided bubble panel graphic option.




literature pockets

We are continually improving and modifying our product range and reserve the right to vary the specifications without prior notice. All dimensions and weights quoted are approximate and we accept no responsibility for variance. E&OE. See Graphic Templates for graphic bleed specifications.

## features and benefits:

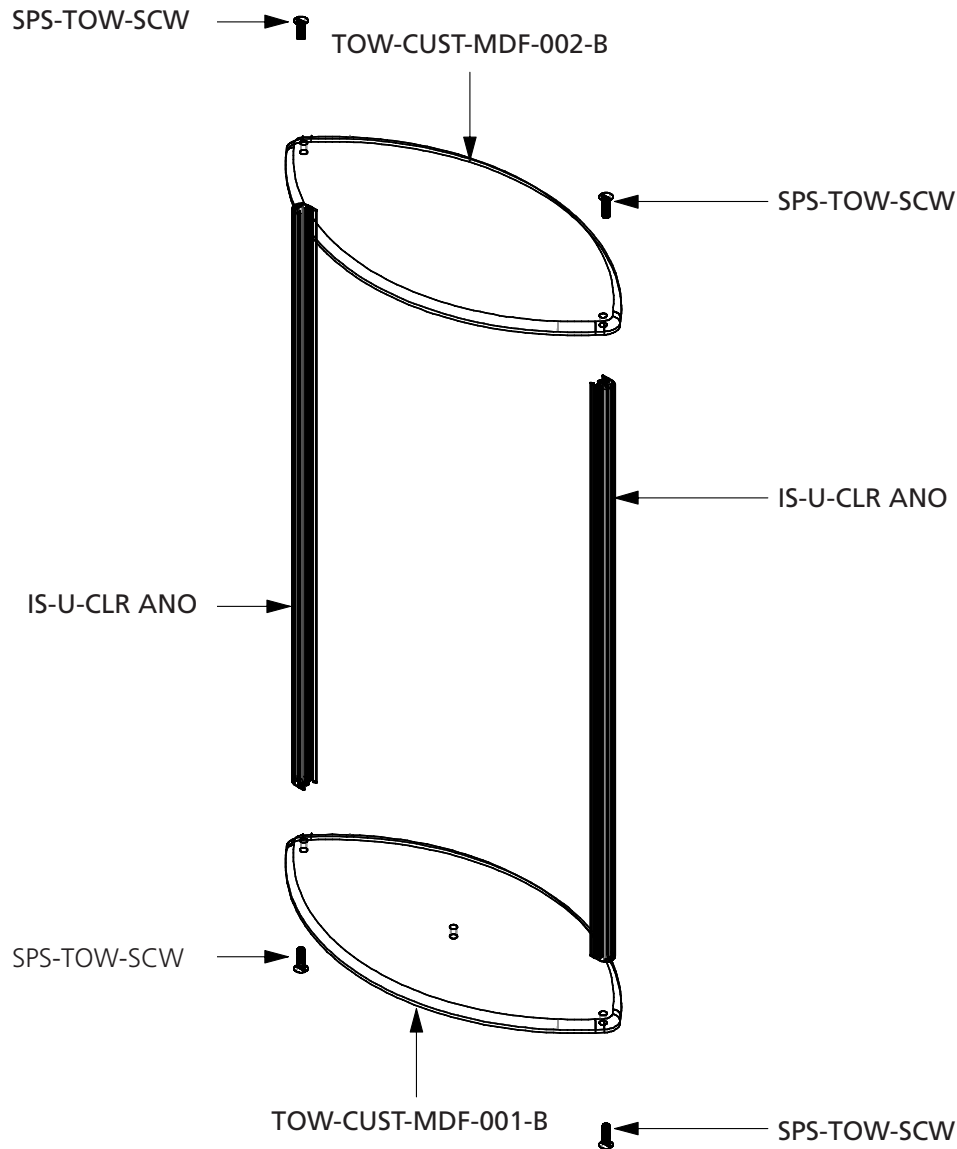
- Easy to assemble
- Ships in one box
- Installation tool included
- Includes two wire frame literature pockets
- OCX wheel molded case available for optional upgrade (box not included)
- One year hardware warranty against manufacturer defects

## dimensions:

Hardware	Graphic
<b>Assembled unit:</b> 23.5" w x 74.5" h x 17.7" d 597mm(w) x 1892mm(h) x 436mm(d)	Refer to related graphic template for more information.  Visit: <a href="http://www.tradeshowplus.com">www.tradeshowplus.com</a>
Shipping	<b>additional information:</b>
<b>Shipping dimensions - ships in one box</b> 32" l x 25" h x 5" d 813mm(l) x 635mm(h) x 127mm(d)	<b>Recommended graphic materials:</b> .040" printed Polystyrene "bubble" graphic  Unit can also be mounted with 2 clear lenses on each side, supporting a "sandwiched" printed poster  Includes two LN112-2 literature pockets  <b>OCX case dimensions (no graphic):</b> 40" l x 27" h x 17" d 1016mm(l) x 686mm(h) x 432mm(d)
<b>Approximate shipping weight:</b> In box (no graphic): 29 lbs / 13 kgs	<b>OCX case weight (no graphic):</b> 61 lbs / 28 kgs
	<b>1 person assembly recommended:</b>  

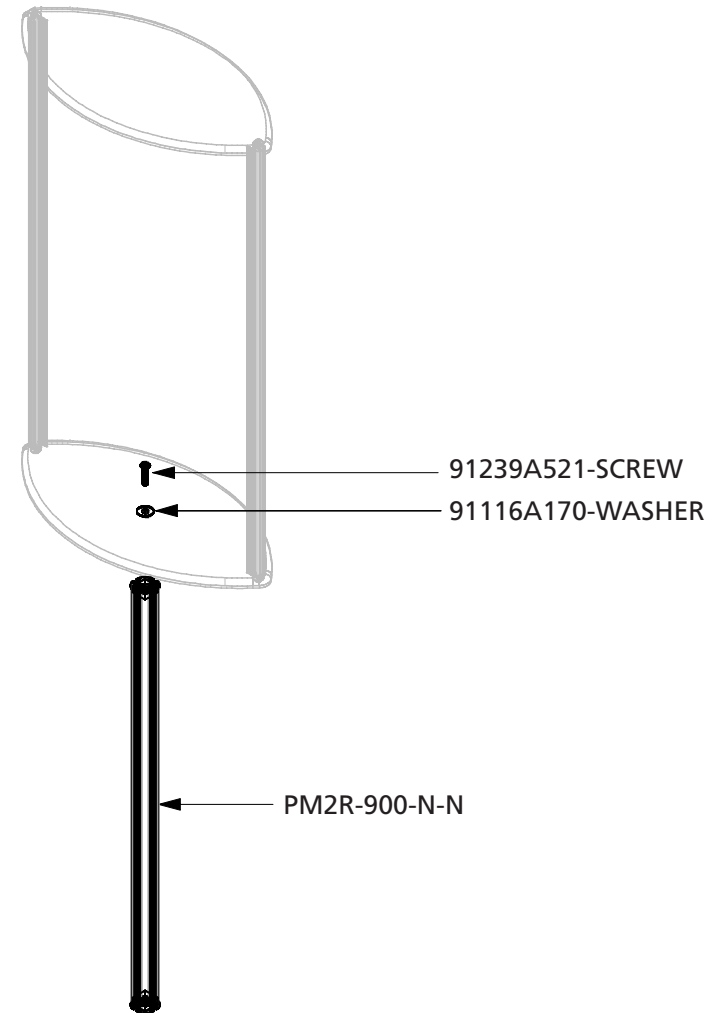
### Assemble Graphic Base and Top to Uprights

Using a flat head screw driver, fasten the graphic support uprights (IS-U-CLR ANO) to the graphic base (TOW-CUST-MDF-001-B) with screws (SPS-TOW-SCW). Then fasten the graphic top (TOW-CUST-MDF-002-B) to the graphic support uprights.



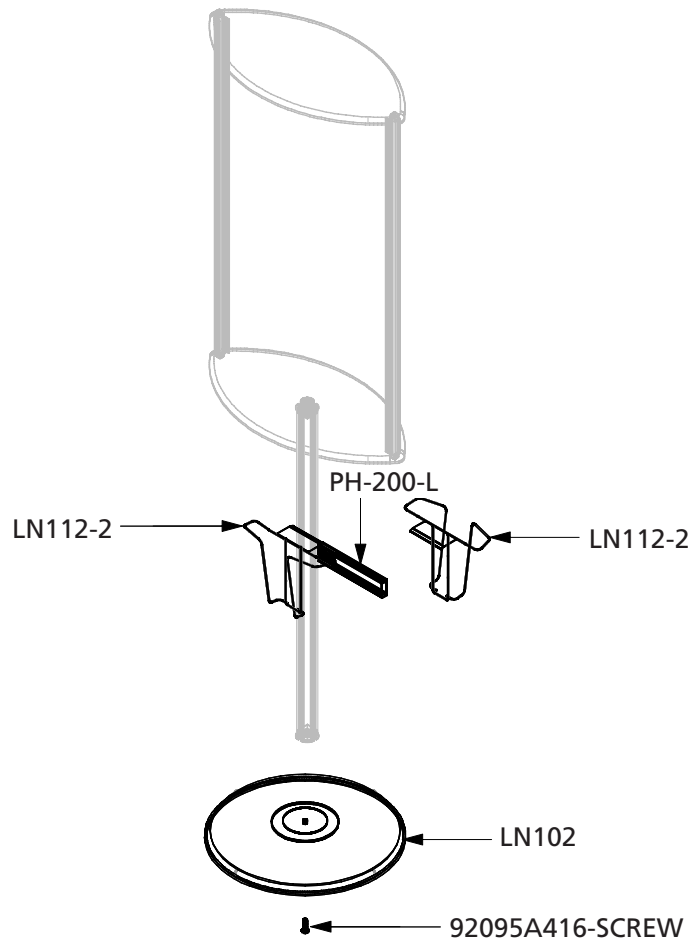
### Attach Graphic Base to Vertical Post

Using the 6mm HEX key, fasten the graphic base to the vertical post (PM2R-900-N-N) with screw (91239A521) to one end of the vertical post.



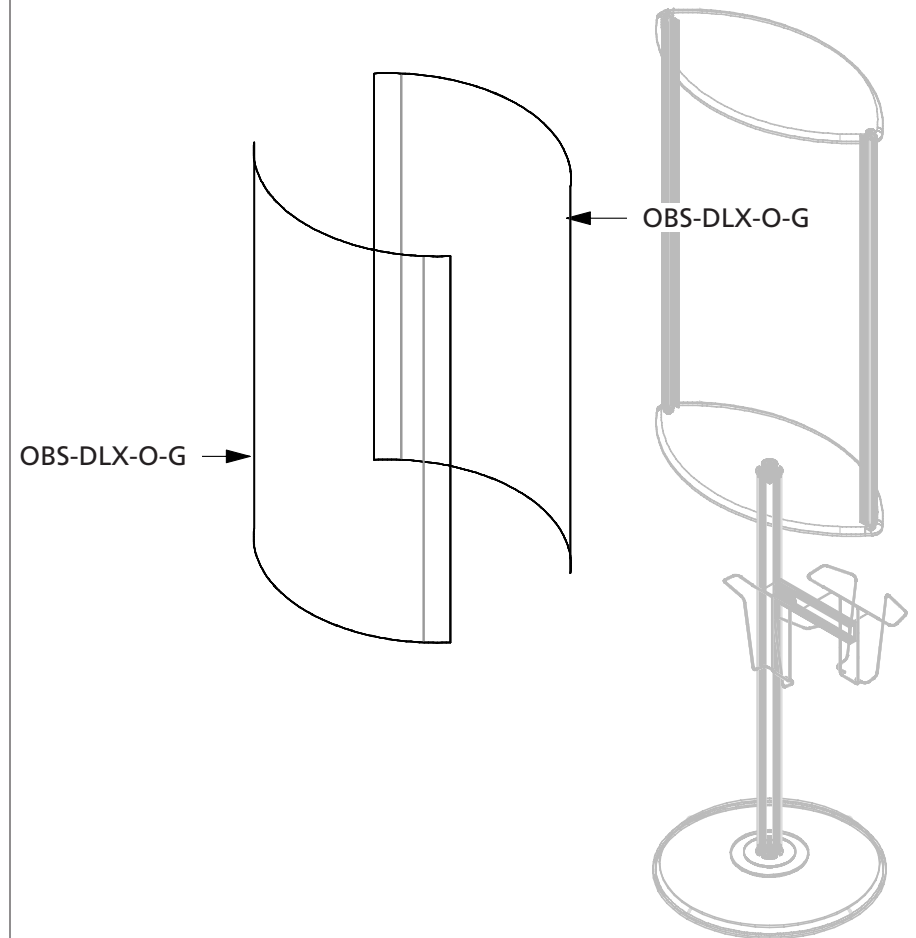
### Attach Base and Literature Pockets to Vertical Post

Using the 6mm HEX key, fasten the base dome(LN102) to the end of the vertical posts. Using the 5mm HEX key, fasten the literature support arm (PH-200-L) to the side of the vertical post. Lay in the literature pockets (LN112-2) into the top channel of the support arm.



### Apply Graphics

Bend and insert the graphic panels (SPS-GRAPHIC) into the graphic supports (IS-U-CLR ANO).



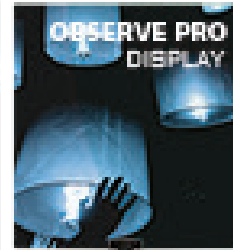
# Check out these related products:

---

From miniature retractable banner stands to poster frames, towers, bag dispensers and more, display accessories and accents are designed to help add the final touches, function and flare to any display or space.



Observe Grand



Observe Pro