

Mosquito Lite Retractable Banner Stand

The Mosquito Lite retractable banner stand is a lighter weight version of the Mosquito 800. The Mosquito Lite is easy to use with a snap rail and bungee pole, making set up, take down and shipping simple. It is available for purchase in bulk packs of six or individually.



features and benefits:

- Comes complete with base, snap top rail, three piece bungee pole
- Lightweight construction
- Includes carry bag
- Can be recycled
- 90 day hardware limited warranty against manufacturer defects

dimensions:

Hardware

Graphic

Assembled unit:
32.17" w x 82.28" h x 14" d
818mm(w) x 2090mm(h) x 356mm(d)

Refer to related graphic template for more information.

Approximate weight:
7 lbs / 4 kg

One year warranty.

Visit:
www.tradeshowplus.com

Shipping

additional information:

1 Box(es):

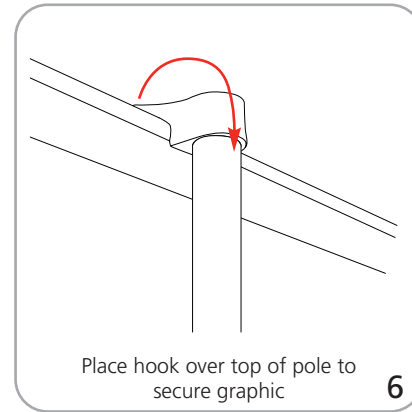
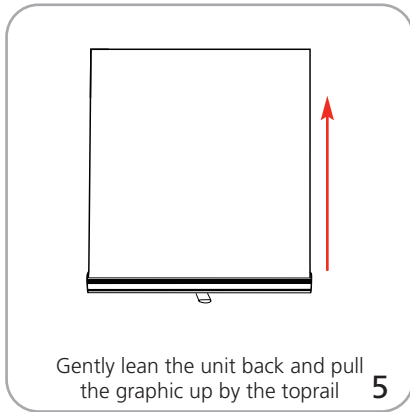
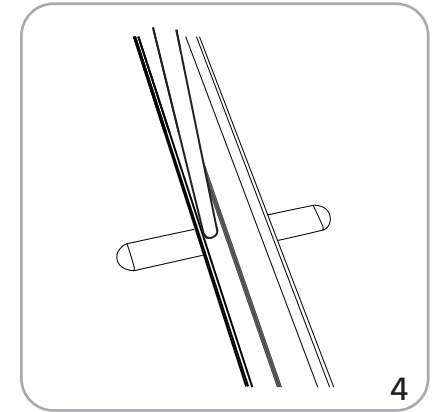
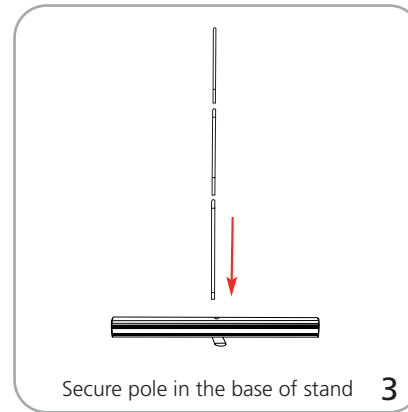
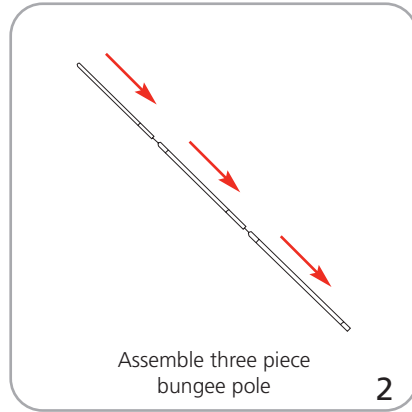
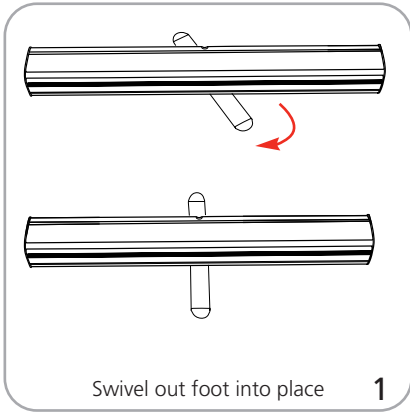
Graphic material:
Standard anti-curl vinyl, premium fabric, supreme melanex

Shipping dimensions:
34" l x 5" h x 4" d
864mm(l) x 127mm(h) x 102mm(d)

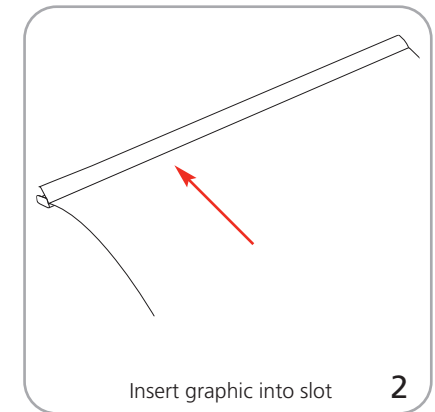
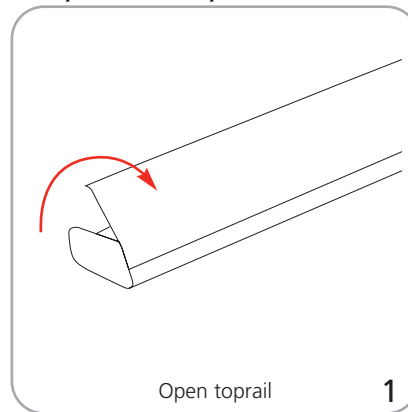
Approximate total shipping weight:
7 lbs / 4 kg

We are continually improving and modifying our product range and reserve the right to vary the specifications without prior notice. All dimensions and weights quoted are approximate and we accept no responsibility for variance. E&OE. See Graphic Templates for graphic bleed specifications.

Mosquito Lite Set-Up



Graphic to toprail attachment



Graphic to base attachment

