

# Mosquito Giant Banner Stand

The Giant Mosquito retractable banner stand is an affordable banner display option that comes with unmatched versatility. The heavy duty aluminum base features a silver finish and black endcaps. A great fit for all size display areas, the Giant Mosquito has a variety of height options, all the way up to 10ft.



## features and benefits:

- Comes complete with base, snap top rail, hybrid bungee/telescopic pole and carry bag
- 10' tall maximum graphic height option
- 6' tall minimum graphic height option
- Includes carry bag or case
- Can be recycled
- 90 day hardware limited warranty against manufacturer defects

## dimensions:

Hardware

Graphic

Assembled unit:  
37" w x 72 - 125" h x 15.75" d  
940mm(w) x 1829 - 3175mm(h) x 401mm(d)

Refer to related graphic template for more information.

Approximate weight:  
12 lbs / 6 kg

One year warranty.

Visit:  
[www.tradeshowplus.com](http://www.tradeshowplus.com)

Shipping

## additional information:

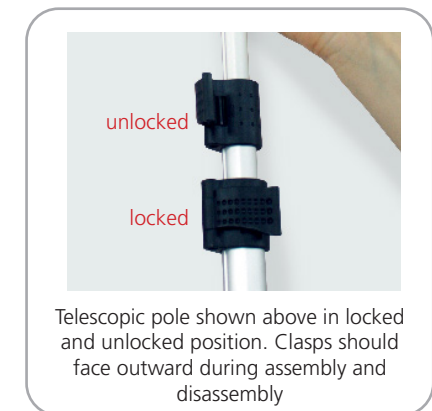
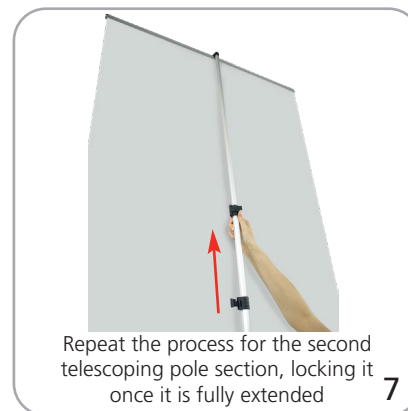
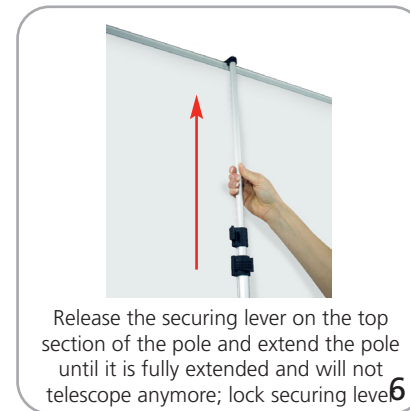
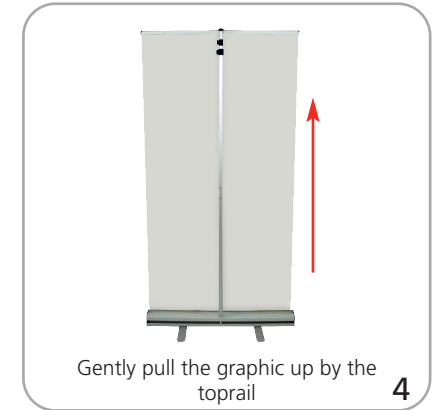
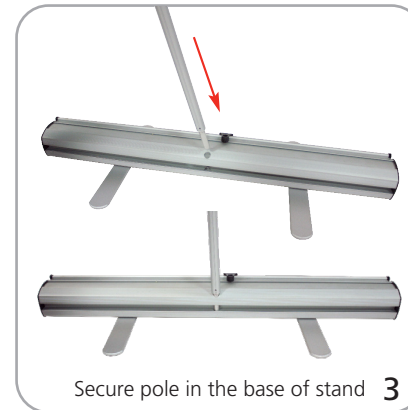
1 Box(es):  
43" l x 7" h x 5" d  
1093mm(l) x 178mm(h) x 127mm(d)

Graphic material:  
Standard anti-curl vinyl, premium fabric, supreme melinex

Approximate total shipping weight:  
13 lbs / 6 kg

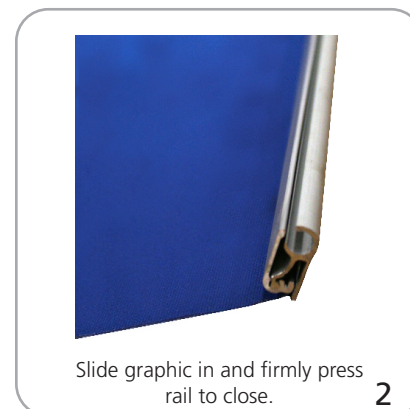
We are continually improving and modifying our product range and reserve the right to vary the specifications without prior notice. All dimensions and weights quoted are approximate and we accept no responsibility for variance. E&OE. See Graphic Templates for graphic bleed specifications.

## Giant Mosquito set-up



\*To disassemble from maximum height, second section of telescoping pole should be retracted first. Slowly guide the pole down towards the base and repeat with the first pole section.

## Graphic to top rail attachment



## Graphic to base attachment

