

Mosquito Retractable Banner Stands

The Mosquito is an affordable, versatile stand in silver with contrasting endcaps. With six base widths to choose from, including one that is five feet wide, this product's usability goes from banner stand to back-wall.



features and benefits:

- Comes complete with base, snap top rail, three piece bungee pole(s) and carry bag. 400 & 600 sizes come with 4 poles. The 400 is not bungeed, giving you the option of different graphic heights. The 600 has a 4 piece bungee pole.
- Six sizes to choose from: 400, 600, 800, 850, 1200 and 1500mm
- Anodized silver finish
- Carry bag included
- Twin swivel feet for excellent balance and stability, 400 & 600 model come with 1 swivel foot
- 90 day warranty against manufacturer defects

dimensions:

Hardware

- Assembled unit:
- 400:** 16.68" w x 66.43" h x 11.5" d
424mm(w) x 1688mm(h) x 293mm(d)
 - 600:** 24.5" w x 82.87" h x 11.5" d
623mm(w) x 2096mm(h) x 293mm(d)
 - 800:** 32" w x 82.87" h x 11.5" d
813mm(w) x 2105mm(h) x 285mm(d)
 - 850:** 34.43" w x 82.87" h x 11.5" d
875mm(w) x 2096mm(h) x 293mm(d)
 - 1200:** 48.25" w x 82.87" h x 11.5" d
1226mm(w) x 2105mm(h) x 285mm(d)
 - 1500:** 59.5" w x 82.87" h x 11.5" d
1512mm(w) x 2105mm(h) x 285mm(d)

Shipping

- Shipping dimensions-ships in one box:
- 400:** 21" l x 5" h x 5" d
534mm(l) x 127mm(h) x 127mm(d)
 - 600:** 28" l x 5" h x 5" d
712mm(l) x 127mm(h) x 127mm(d)
 - 800:** 35" l x 5" h x 5" d
889mm(w) x 127mm(h) x 127mm(d)
 - 850:** 37" l x 5" h x 5" d
940mm(l) x 127mm(h) x 127mm(d)
 - 1200:** 50" l x 5" h x 5" d
1270mm(l) x 127mm(h) x 127mm(d)
 - 1500:** 62" l x 5" h x 5" d
1575mm(l) x 127mm(h) x 127mm(d)

Approximate shipping weight:

- 400:** 5 lb / 3 kg
- 600:** 7 lb / 4 kg
- 800:** 7 lb / 4 kg
- 850:** 8 lb / 5 kg
- 1200:** 11 lb / 5 kg
- 1500:** 12 lb / 6 kg

additional information:

Graphic material: Flat maxx vinyl, premium opque fabric, or melanex

- 400mm graphic heights:
- 1 pole = 15.25" h
 - 2 pole = 31.13" h
 - 3 pole = 46.88" h
 - 4 pole (standard)= 62.5" h

LED spotlight optional

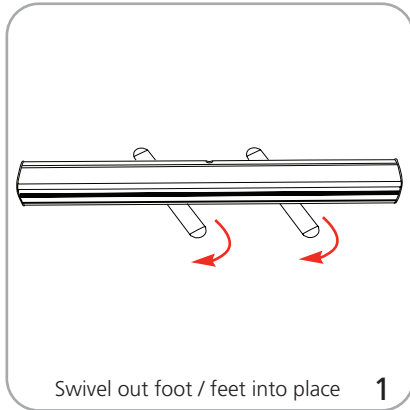
Graphic

Refer to related graphic template for more information.

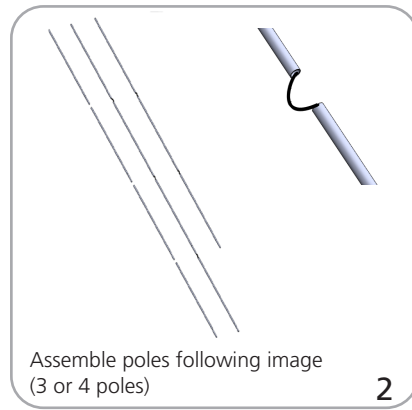
Visit:
www.tradeshowplus.com

We are continually improving and modifying our product range and reserve the right to vary the specifications without prior notice. All dimensions and weights quoted are approximate and we accept no responsibility for variance. E&OE. See Graphic Templates for graphic bleed specifications.

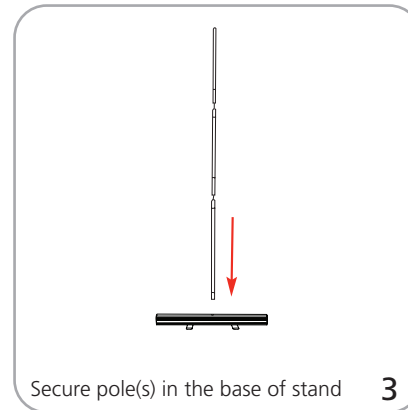
Kit Assembly



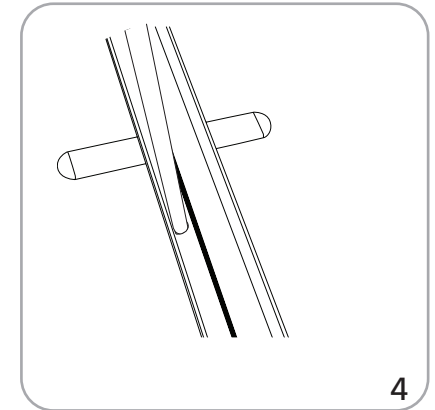
Swivel out foot / feet into place **1**



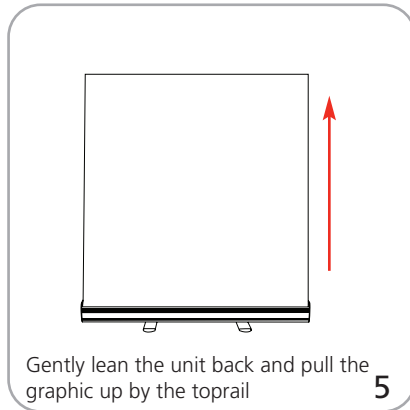
Assemble poles following image (3 or 4 poles) **2**



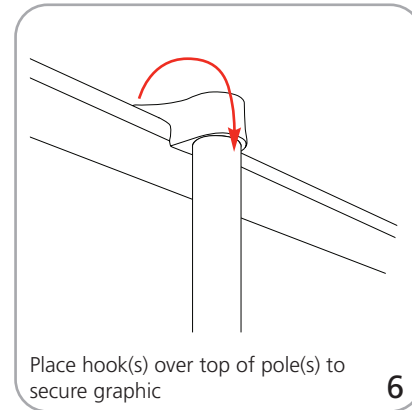
Secure pole(s) in the base of stand **3**



4

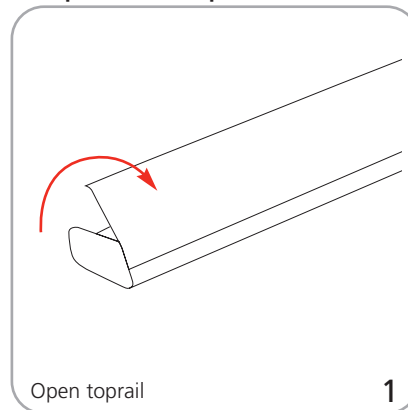


Gently lean the unit back and pull the graphic up by the toprail **5**

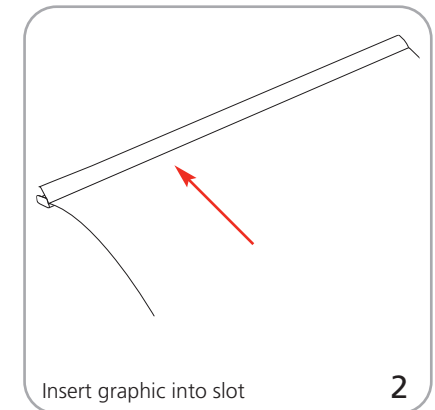


Place hook(s) over top of pole(s) to secure graphic **6**

Graphic to toprail attachment

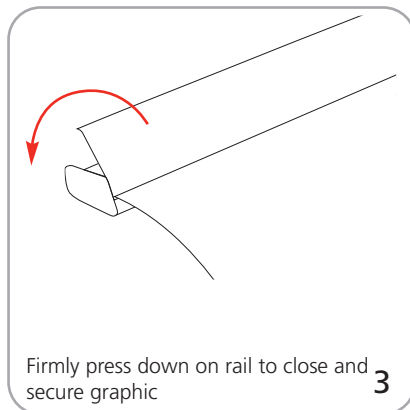


Open toprail **1**

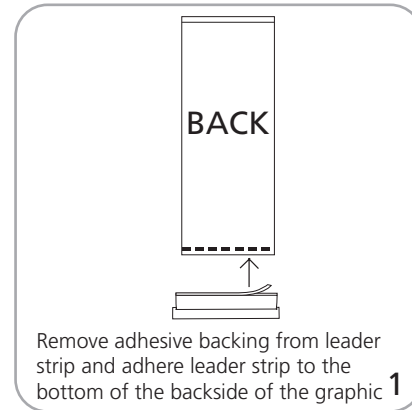


Insert graphic into slot **2**

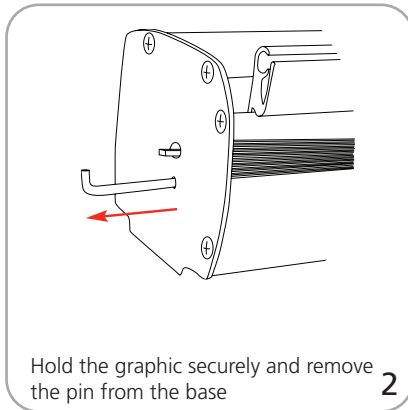
Graphic to base attachment



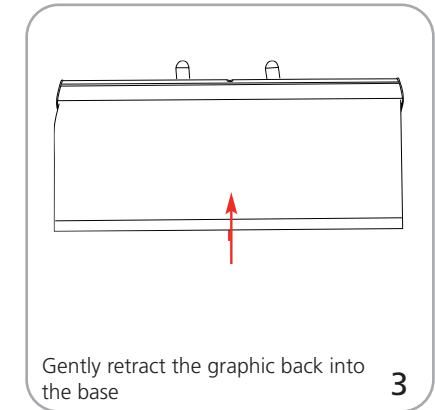
Firmly press down on rail to close and secure graphic **3**



Remove adhesive backing from leader strip and adhere leader strip to the bottom of the backside of the graphic **1**



Hold the graphic securely and remove the pin from the base **2**



Gently retract the graphic back into the base **3**