

Mosquito

The Mosquito is an affordable, versatile stand in silver with contrasting end caps. With six base widths to choose from, including one that is five feet wide, this product's usability goes from banner stand to backwall.



features and benefits:

- Comes complete with base, snap top rail, three piece bungee pole(s) and carry bag. 400 & 600 sizes come with 4 poles. The 400 is not bungeed, giving you the option of different graphic heights. The 600 has a 4 piece bungee pole.
- Six sizes to choose from: 400, 600, 800, 850, 920, 1200 and 1500mm
- Anodized silver finish
- Carry bag included
- Twin swivel feet for excellent balance and stability, 400 & 600 model come with 1 swivel foot
- 90 day warranty against manufacturer defects

dimensions:

Hardware

Assembled unit:

- 400:** 16.68" w x 82.87" h x 11.5" d
424mm(w) x 2015mm(h) x 292mm(d)
- 600:** 24.5" w x 82.87" h x 11.5" d
623mm(w) x 2105mm(h) x 292mm(d)
- 800:** 32" w x 82.87" h x 11.5" d
813mm(w) x 2105mm(h) x 292mm(d)
- 850:** 34.43" w x 82.87" h x 11.5" d
875mm(w) x 2105mm(h) x 292mm(d)
- 920:** 36.87" w x 82.87" h x 11.5" d
936mm(w) x 2015mm(h) x 292mm(d)
- 1200:** 48.25" w x 82.87" h x 11.5" d
1226mm(w) x 2105mm(h) x 292mm(d)
- 1500:** 59.5" w x 82.87" h x 11.5" d
1512mm(w) x 2105mm(h) x 292mm(d)

additional information:

Graphic material: Flat maxx vinyl, premium opaque fabric, or melanex

- 400mm graphic heights:
 - 1 pole = 15.25" h
 - 2 pole = 31.13" h
 - 3 pole = 46.88" h
 - 4 pole (standard) = 62.5" h

LED spotlight optional

Shipping

Shipping dimensions-ships in one box:

400: 21" l x 5" h x 5" d
534mm(l) x 127mm(h) x 127mm(d)

600: 28" l x 5" h x 5" d
712mm(l) x 127mm(h) x 127mm(d)

800: 35" l x 5" h x 5" d
889mm(w) x 127mm(h) x 127mm(d)

850: 37" l x 5" h x 5" d
940mm(l) x 127mm(h) x 127mm(d)

920: 41" l x 5" h x 5" d
1041mm(l) x 127mm(h) x 127mm(d)

1200: 50" l x 5" h x 5" d
1270mm(l) x 127mm(h) x 127mm(d)

1500: 62" l x 5" h x 5" d
1575mm(l) x 127mm(h) x 127mm(d)

Approximate shipping weight:

- 400:** 5 lb / 3 kg
- 600:** 7 lb / 4 kg
- 800:** 7 lb / 4 kg
- 850:** 8 lb / 4 kg
- 920:** 8 lb / 4 kg
- 1200:** 11 lb / 5 kg
- 1500:** 12 lb / 6 kg

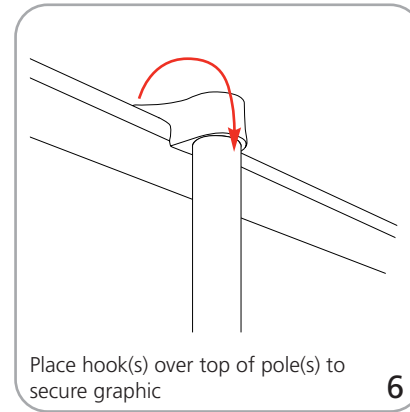
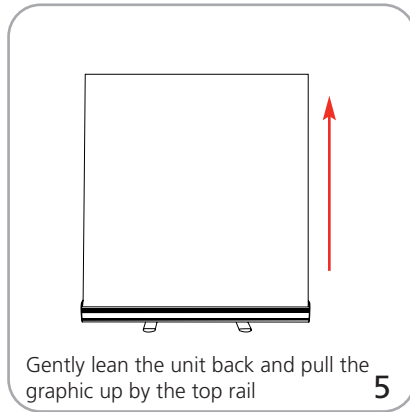
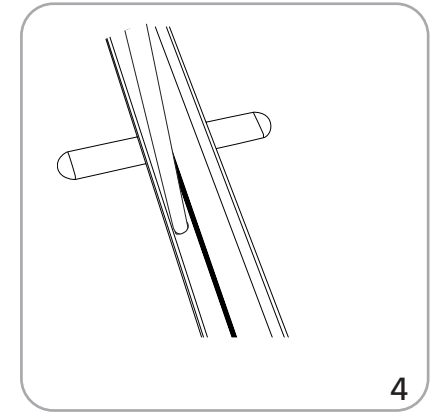
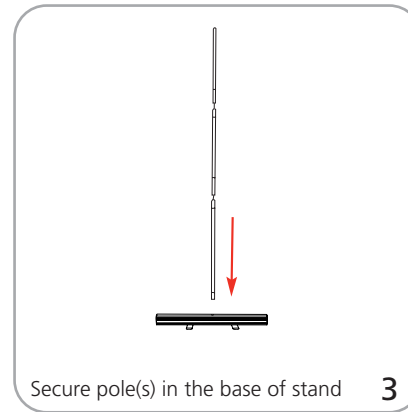
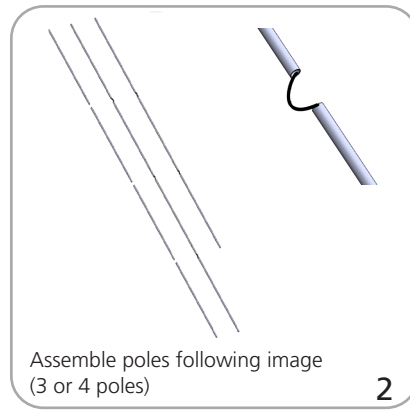
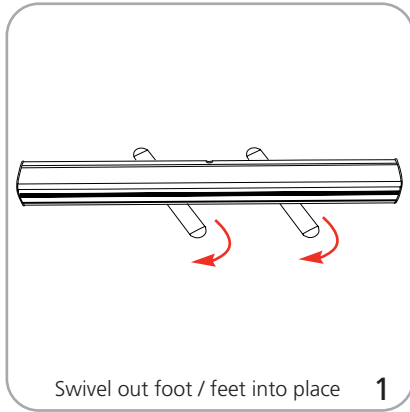
Graphic

Refer to related graphic template for more information.

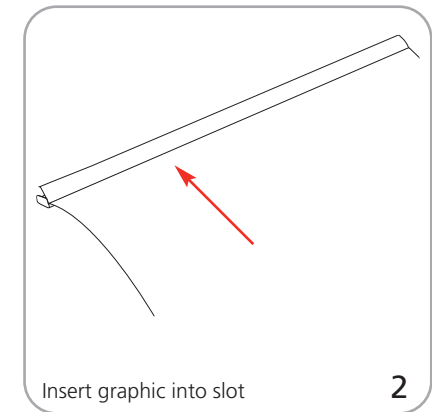
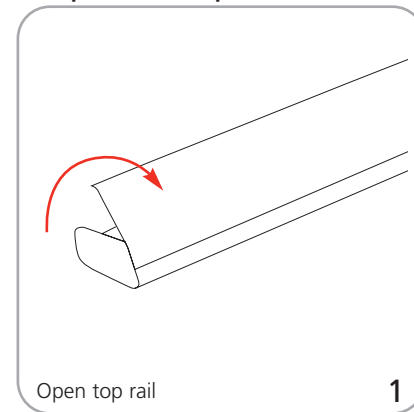
Visit:
www.tradeshowplus.com

We are continually improving and modifying our product range and reserve the right to vary the specifications without prior notice. All dimensions and weights quoted are approximate and we accept no responsibility for variance. E&OE. See Graphic Templates for graphic bleed specifications.

Kit Assembly



Graphic to top rail attachment



Graphic to base attachment

