

# Merlin Banner Stand

Merlin is a smart and stylish cassette banner. The graphics are easily replaced with its quick change cassette mechanism. This banner stand is great for any environment where your message needs to change regularly.



Hybrid telescopic/bungee pole



Carry bag included



Plastic cassette



Anodized silver base

## features and benefits:

- Variable graphic height = 61.5" - 87"
- Hybrid bungee / telescoping pole with toolless quick rail
- Anodized silver base with black end caps
- Snap top graphic rail
- Interchangeable plastic cassette
- Carry bag included
- One year limited hardware warranty against manufacturer defects

## dimensions:

### Hardware

**Assembled unit:**  
35.44"w x 91.75"h x 7.5"d  
900mm(w) x 2331mm(h) x 191mm(d)

**Base dimensions:**  
35.44"w x 3.5"h x 7.5"d  
900mm(w) x 89mm(h) x 191mm(d)

### Shipping

**Shipping dimensions - ships in one box:**  
39"l x 11"h x 5"d  
991mm(l) x 279mm(h) x 127mm(d)

**Shipping weight:**  
13 lbs / 6 kg

## additional information:

Graphic materials:  
14oz. anti-curl vinyl, premium  
100% opaque fabric, 11 mil Melinex

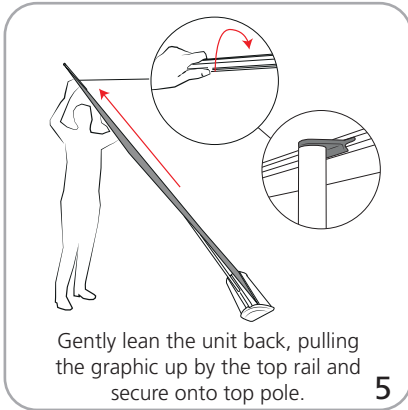
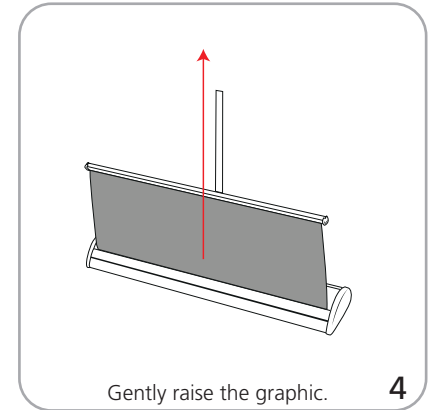
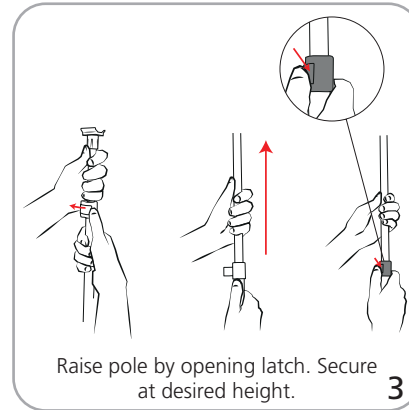
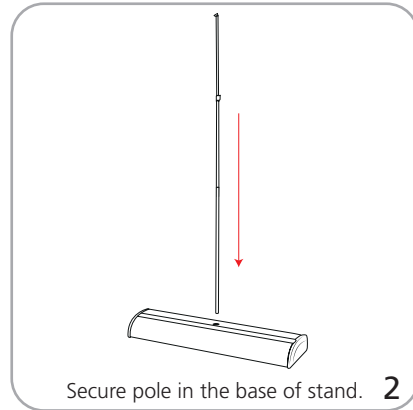
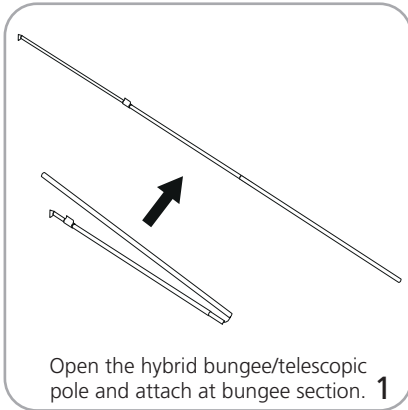
### Graphic

Refer to related graphic template for more information

Visit: [www.tradeshowplus.com](http://www.tradeshowplus.com)

We are continually improving and modifying our product range and reserve the right to vary the specifications without prior notice. All dimensions and weights quoted are approximate and we accept no responsibility for variance. E&OE. See Graphic Templates for graphic bleed specifications.

## Set-up



## Attaching Graphic

