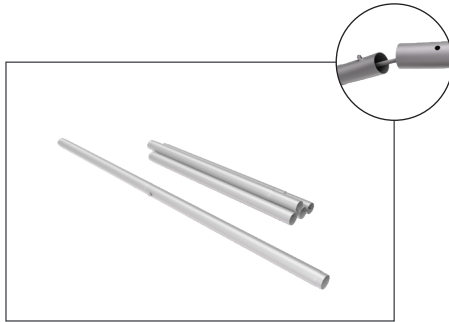


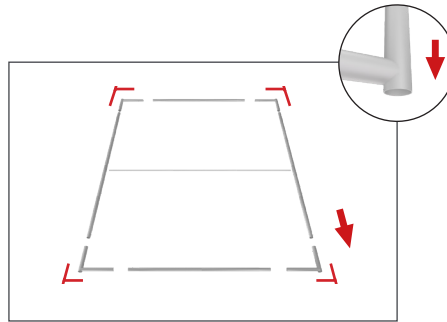
Set Up Instructions

MERCHANDISER 36X89

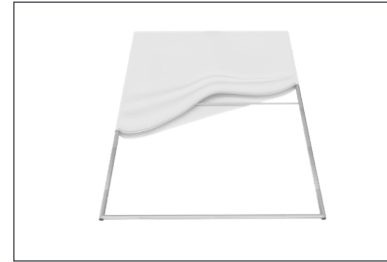
Step 1: Assemble straight poles by pressing and pushing together.



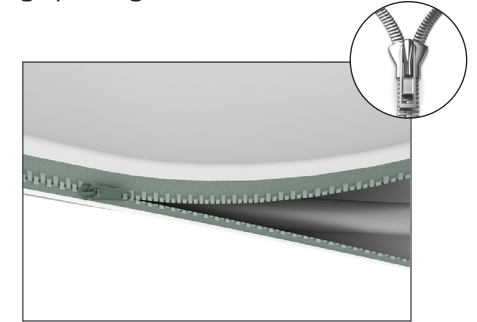
Step 2: Connect all corner sections to straight sections. Face holes of 90° corners towards the bottom of frame.



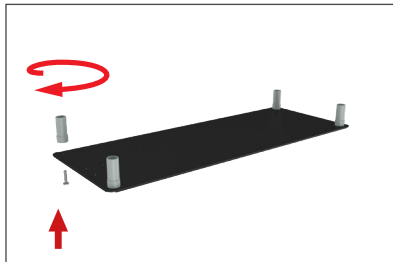
Step 3: Insert center support pole.



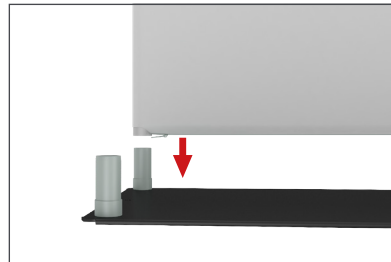
Step 4: Grip the fabric tightly and stretch around bottom pole to pinch zipper into place. Zip the graphic together for taut finish.



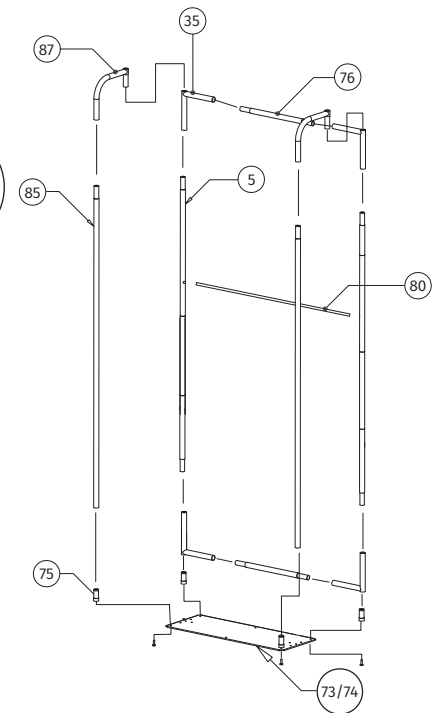
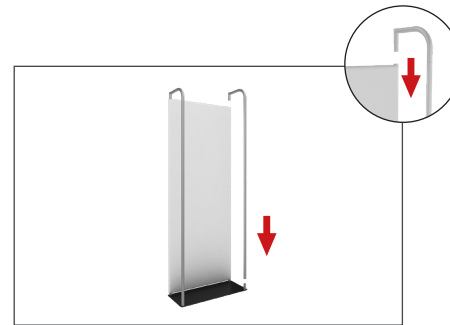
Step 5: Assemble post (75) into the 4 corners of the base plate with screw by hand turning post and tightening into place.



Step 6: Push banner stand frame onto back posts of flat base or optional feet. Press evenly on both sides to make easier for the frame to go on.



Step 7: Assemble x2 - (85) and (87) together and push poles into top of frame and front two posts (75).



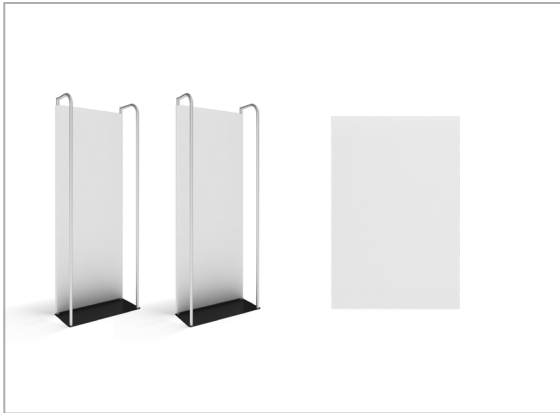
SHELVING & ACCESSORIES:
(OPTIONAL) To add shelves or accessories to frame, position and level part on frame before tightening clamps down with hex tool.



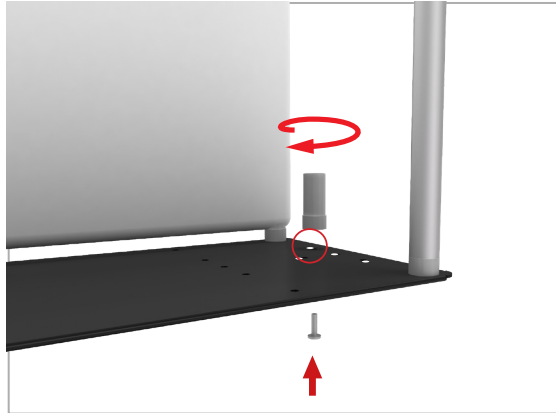
Set Up Instructions

MERCHANDISER STRAIGHT CONNECTED WALL

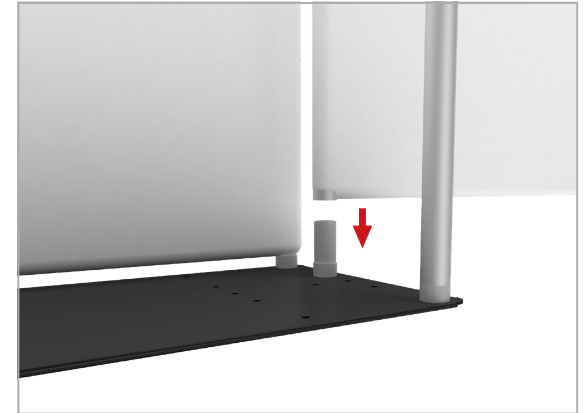
Step 1: Follow set up instructions and preassemble basic fabric banner stands with accessories and wall panel(s) - D, E, F or N, that match your kit.



Step 2: Assemble post (75) into the outside hole of the two connecting base plates shown in illustration. Screw by hand, turning post to tighten into place.



Step 3: Push ends of fabric walls onto posts. Press evenly on both sides to make easier for the frame to go on.



LIGHTS:

(OPTIONAL) Position as desired and tighten knob to hold in place. **WARNING! Over tightening may cause damage to fabric image.**

