

LINEAR PRO 10X10 KIT 25

Linear Pro Modular Backwall Kit 25 provides a modern, slick and stylish appearance. The extrusion based inline exhibit features a Hook and loop-applied fabric center graphic, UV printed headers and wings, as well as a pillowcase fabric canopy. Two tables provide additional space for products or messaging and are available in four color options. Two 50 watt spotlights provide illumination to messaging. Kit includes two OCH shipping cases.



We are continually improving and modifying our product range and reserve the right to vary the specifications without prior notice. All dimensions and weights quoted are approximate and we accept no responsibility for variance. E&OE. See Graphic Templates for graphic bleed specifications.

12/13/2020

FEATURES & BENEFITS

- Custom appearance. Easy to assemble
- Hook and loop fastener-applied fabric center graphic
- PVC graphic wings and headers
- Pillowcase S-shaped fabric canopy
- Installation tool included
- Aluminum construction: vertical extrusions 75 mm x 50 mm
- Tabletops available in four color options
- Kit includes two OCH cases, two v-leg tables, and two LED spotlights
- Lifetime hardware warranty against manufacturer defects

DIMENSIONS

Assembled unit:
120" w x 99.4" h x 27.3" d

2 OCH Cases:
52" w x 29" h x 12" d

GRAPHICS

Main Panel:
Dye sublimated fabric graphic

Headers & Wings:
Printed flexible PVC

Canopy:
Solid silver, black, white fabric or custom printed dye sublimated fabric graphic

Refer to related graphic template for more information.

Visit:
<https://tradeshowplus.com>

SHIPPING

Hardware ships in 2 boxes:
52" w x 29" h x 12" d each

Shipping Weight:
175 lbs

ADDITIONAL INFO

Countertop: can support max of 25 lbs

Counter colors:



silver



black



mahogany



natural

Have a Question?

Please contact support@tradeshowplus.com

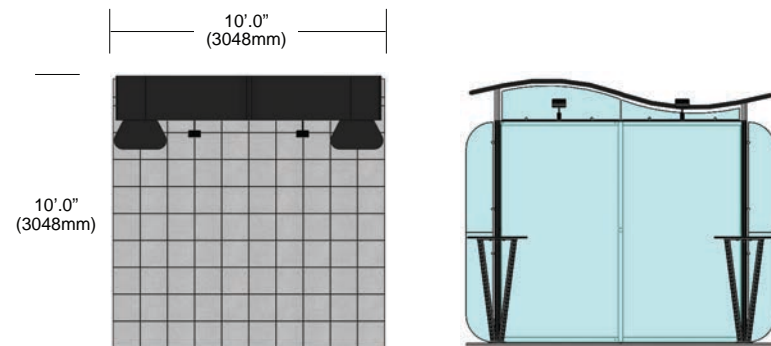
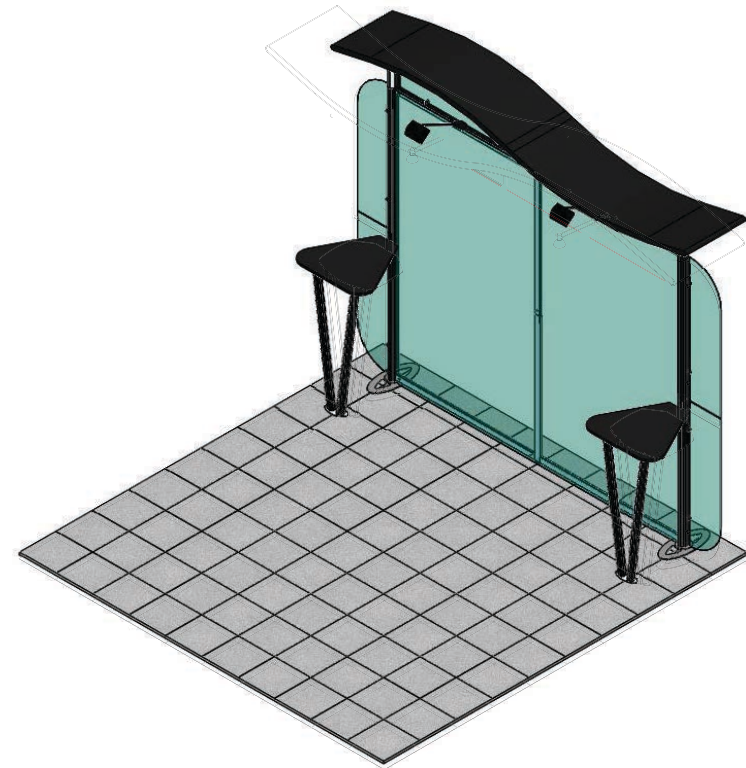


KIT INCLUDES

Have a Question?

Please contact support@tradeshowplus.com

Parts Included		
Part Label	Qty	Part Description
LN-FS-UPRIGHT	x2	LN-FS-UPRIGHT - LINEAR UPRIGHT WITH FOOT
PH-1168-L-L	x4	1168MM (46") LENGTH OF PH EXTRUSION WITH CAM LOCK BOTH SIDES
PH-1067-L1	x2	1067MM (42") PH LOCK HOLE ONE SIDE
LN-ADJ-FT	x1	LINEAR ADJUSTING FOOT
IB2	x1	INLINE BRACKET
PM30-1067	x2	1067MM (42") PM30 OPEN ENDS
LN605-EN	x1	PH END CAP
WME-1000	x4	1000MM (39.375") WIRE MANAGEMENT EXTRUSION W/ hook and loop fastener
LN-10X10-FG	x1	LINEAR 10X10 FABRIC CENTER GRAPHIC
LN-25-HW-A-G	x1	LINEAR KIT 25 HEADER/WING GRAPHIC A
LN-25-HW-B-G	x1	LINEAR KIT 25 HEADER/WING GRAPHIC B
LN-25-HW-C-G	x1	LINEAR KIT 25 HEADER/WING GRAPHIC C
LN-25-HW-D-G	x1	LINEAR KIT 25 HEADER/WING GRAPHIC D
LN-25-HW-E-G	x1	LINEAR KIT 25 HEADER/WING GRAPHIC E
LN-25-HW-F-G	x1	LINEAR KIT 25 HEADER/WING GRAPHIC F
LN-CAN-K-S	x1	LINEAR CANOPY KIT, S-SHAPE
LN-TBL-V-LEG-STD	x2	LINEAR V-LEG STANDARD TABLE TOP *FINISH MAY VARY
PANEL CLAMP	x14	PANEL CLAMP
PHFC2-150-L	x2	150MM PHFC2 W/ONE LOCK
LUM-LED-ORL-7	x2	LUMINA LED LIGHT
HEX KEY SET	x1	ALLEN KEY MULTI-TOOL (HEX KEY TOOL)



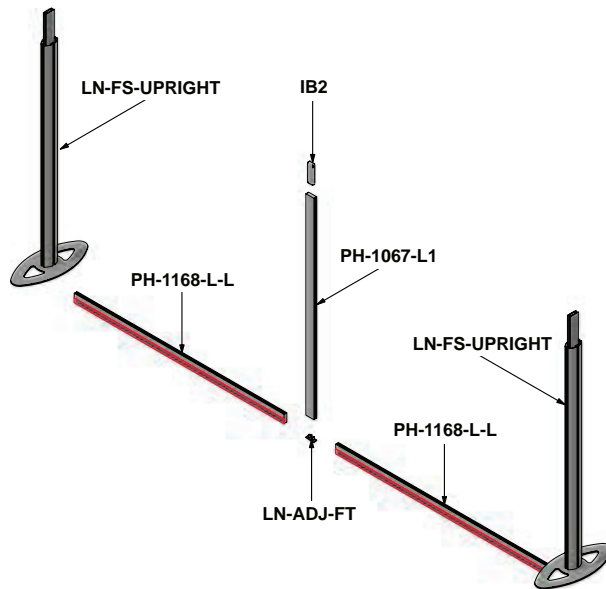
ASSEMBLY

Have a Question?

Please contact support@tradeshowplus.com

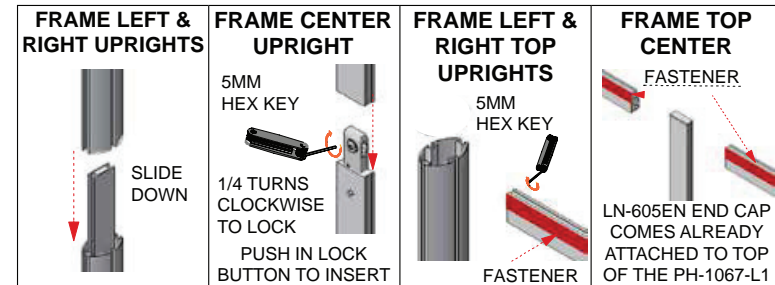
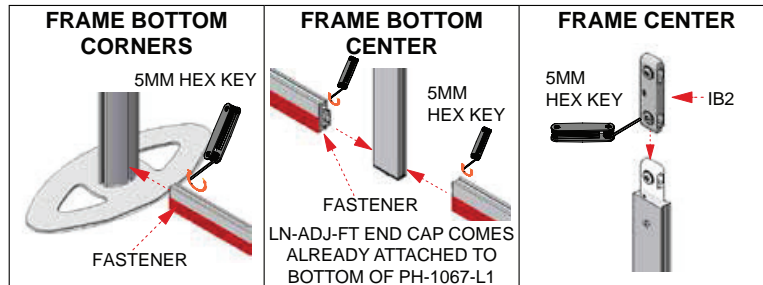
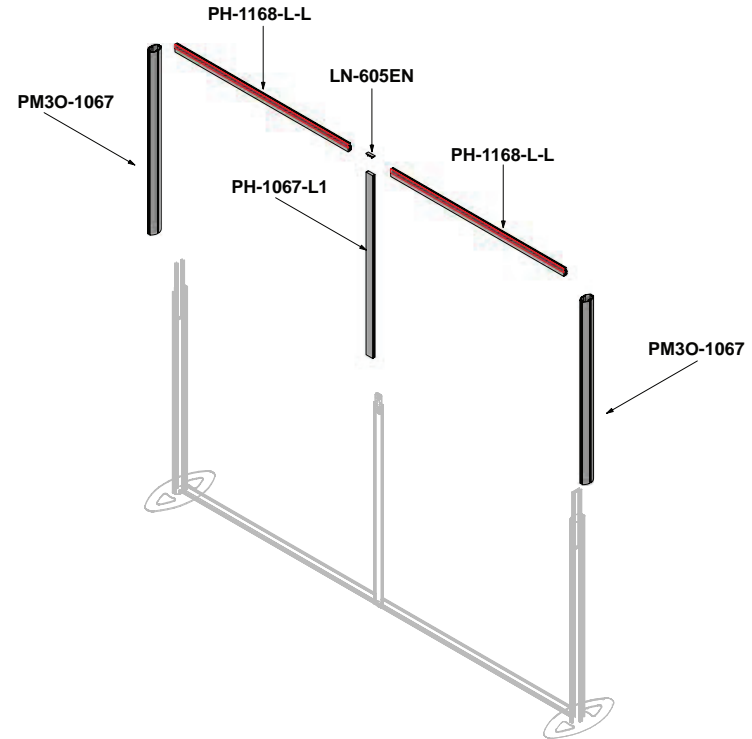
Step 1. Assemble the bottom of the frame

Using the 5MM HEX KEY, attach one PH-1168-L-L to each of the LN-FS-UPRIGHT's with the hook and loop fastener facing front. Attach the opposite ends of the PH-1168-L-L to the PH-1067-L1 using the 5MM HEX KEY. Once all are attached use the 5MM HEX KEY to depress the IB2 lower button and insert into the top of the PH-1067-L1, DO NOT LOCK.



Step 2. Assemble the top of the frame

Make sure the hook and loop fastener is facing towards the front and slide PM30-1067 onto LN-FS-UPRIGHT on the left and right ends of the frame. Push in the lock button to slide and attach the PH-1067-L1 to the IB2, then lock both buttons. Attach PH-1168-L-Ls to the PM30-1067s and PH-1067-L1 using the 5MM HEX KEY.



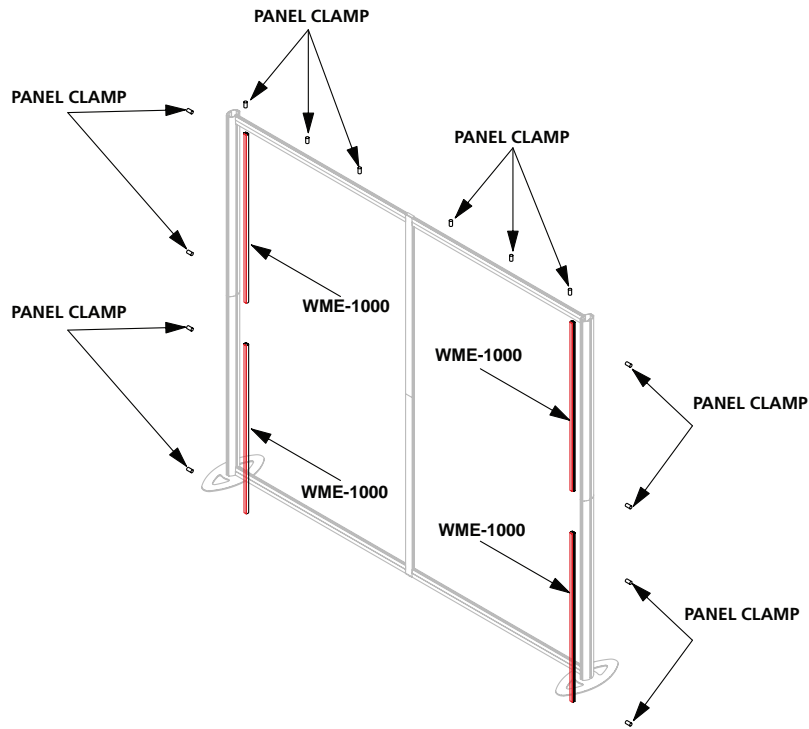
ASSEMBLY

Have a Question?

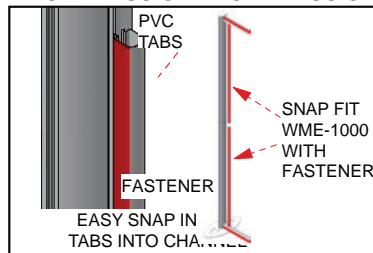
Please contact support@tradeshowplus.com

Step 3. Attach graphic support & adhere PANEL CLAMP for graphic headers/wings

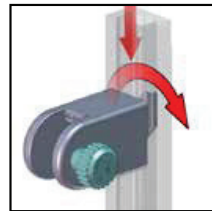
Snap attach the WME-1000 (graphic support) onto the frame inside the left and right uprights. Make sure the hook and loop fastener is facing towards the front. Insert 14 PANEL CLAMPS into the outside perimeter channels and turn to lock, other locking screws should be loose. Evenly space out the standoffs for each header or wing.



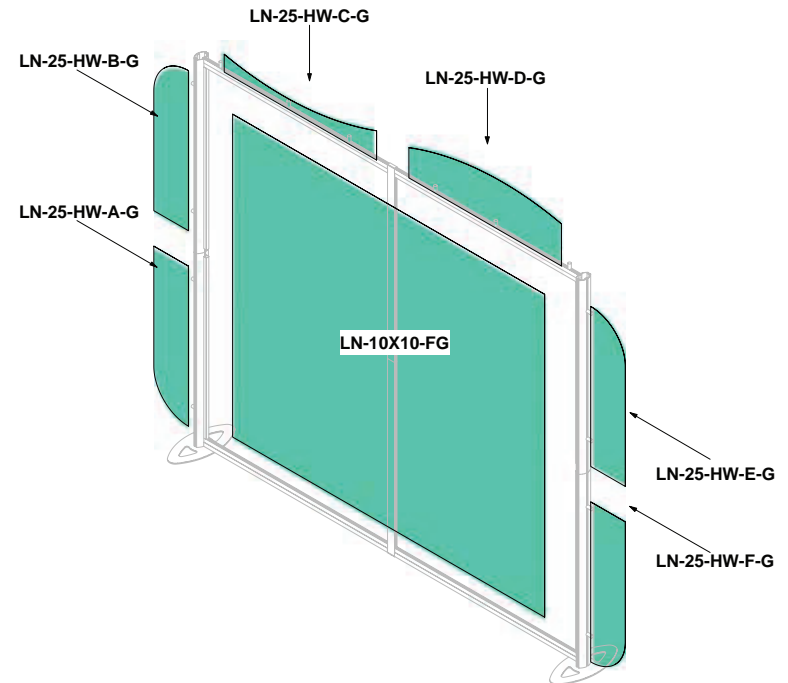
PVC EXTRUSION PVC EXTRUSION



PANEL CLAMP ATTACHMENT



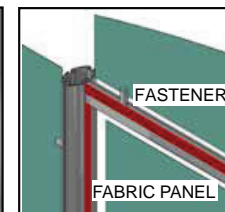
Step 4. Attach graphic headers/wings and center graphic
Screw the PANEL CLAMP clockwise into channel until it is tight. Loosen the THUMB-SCREW, place rigid sintra panel graphic and tighten in place. Hook and loop fastener attach the LN-10X10-FG (center graphic) to the frame starting at the top left corner. Continue to hook and loop fastener attach the LN-10X10-FG to the frame ending in the bottom right corner.



HEADER/WING ATTACHMENT



FABRIC PANEL TOP LEFT



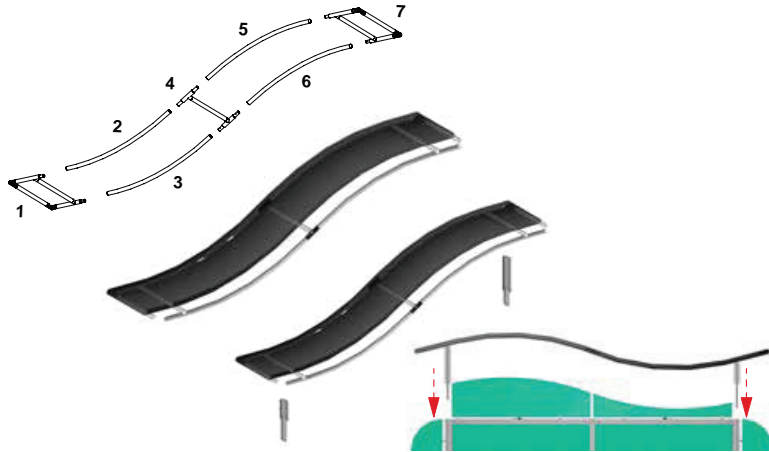
ASSEMBLY

Have a Question?

Please contact support@tradeshowplus.com

Step 5. Attach s-shaped canopy

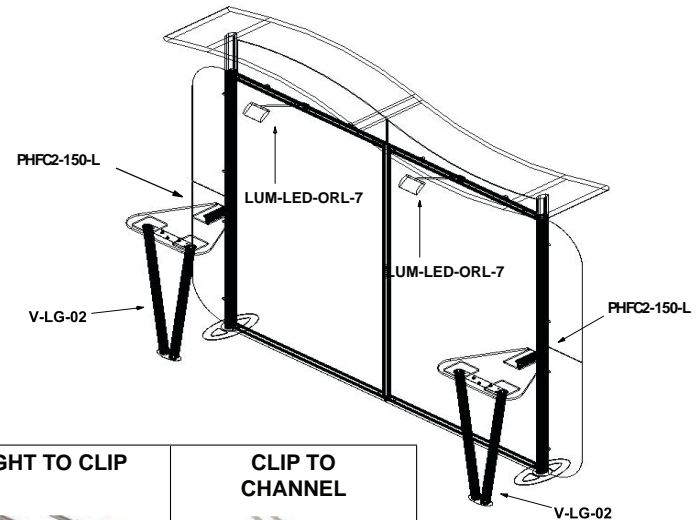
Assemble the frame in order using the number key to attach the tubes and hubs. Pull over the pillowcase and insert the screws through frame parts 1, 7, and the pillowcase slots. Loosely fasten canopy post mounts to screws, **DO NOT ZIPPER**. Last, slide the post mounts onto the frame and tighten using the 8MM HEX KEY, then zipper the pillowcase.



<p>C-CANOPY FRAME</p> <p>PUSH PINS TO ASSEMBLE THE FRAME</p>	<p>C-CANOPY PILLOW CASE & SCREW</p> <p>PILLOW CASE SCREWS SLOTS</p>	
<p>C-CANOPY SCREW & SHORT POST</p> <p>SHORT POST</p> <p>LOOSELY FASTEN CANOPY POST MOUNTS TO SCREWS</p>	<p>C-CANOPY POST TO BACKWALL</p> <p>SLIDE IN POST MOUNTS ONTO FRAME</p>	<p>C-CANOPY POST TO BACKWALL</p> <p>TIGHTEN SCREWS WITH 8MM HEX KEY THEN ZIPPER PILLOW CASE</p>

Step 6. Assemble lights & tables & attach to backwall

Slide the light fixture LUM-LED-ORL-7 onto the light clip. Lift and rest light clip onto top of horizontal channel and run the wires in between and behind the panels. Slide the PHFC2-150-L into the underside of the table. Fasten the table legs to the underside of the table top using the THUMB SCREWS. Once finished turn table over and attach it to the backwall frame (LN-FS-UPRIGHT) using the 5MM HEX KEY on the PHFC2-150-L. Repeat for the second table.



<p>LIGHT TO CLIP</p>	<p>CLIP TO CHANNEL</p>	
<p>TABLE TOP</p> <p>PHFC2-150-L</p> <p>ATTACH PH END CAP TO PHFC2-150-L</p>	<p>TABLE LEG</p> <p>APPLY V-LEG ONTO UNDERSIDE OF TABLE WITH THUMB SCREWS</p>	<p>TABLE SETUP</p> <p>LN-FS-UPRIGHTS</p> <p>5MM HEX KEY</p>



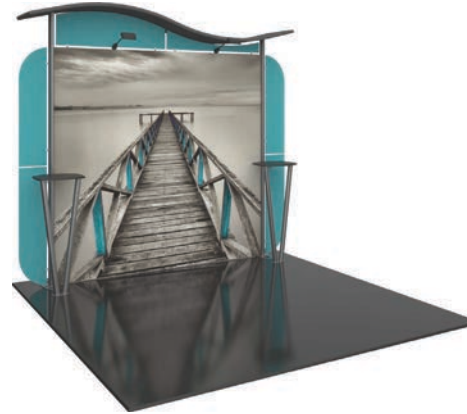
LINEAR DISPLAY LINE

Have a Question?

Please contact support@tradeshowplus.com



Linear Pro Kit 22



Linear Pro Kit 25



Linear Pro Kit 26



Linear Pro Kit 27

