

# Lightning Banner Stand

Lightweight and easy to use, the Lightning is a good all around tension back banner stand. Snap lock graphic rails make changing the graphic fast and simple. The lightning comes complete with a budget carry bag.



## features and benefits:

- Quick to assemble and easy to use
- Lightweight aluminium components
- Comes in anodized silver
- Three piece bungee pole
- No tools necessary
- Includes carry bag
- Snap frame rails enable easy graphic changes
- One year warranty against all manufacturers defects

## dimensions:

Hardware	Graphic
<p><b>Base dimensions:</b> 31.625"w x 2.5"h x 20.25"d 804mm(w) x 514mm(h) x 63.5mm(d)</p> <p><b>Assembled unit dimensions:</b> 31"w x 77"h x 20.25"d 787mm(w) x 1956mm(h) x 63.5mm(d)</p> <p><b>Pole Height:</b> 80.5" (2045mm)</p> <p><b>Weight:</b> (including carry bag) 5 lbs / 3 kgs</p> <p><b>Bag Dimensions:</b> 36.5"w x 9"h x 4"d 927mm(l) x 229mm(w) x 102mm(h)</p>	<p>Refer to related graphic template for more information.</p> <p>Visit: <a href="http://www.tradeshowplus.com">www.tradeshowplus.com</a></p>
Shipping	<b>additional information:</b>
<p><b>Shipping dimensions: (ships in one box)</b> 39"l x 10"h x 6"d 991mm(l) x 254mm(h) x 152mm(d)</p> <p><b>Shipping weight:</b> 5 lbs / 3 kgs</p>	<p>Graphic material: 14 oz. anti-curl vinyl, premium 100% opaque fabric, 11 mil melinex</p> <p><b>Total visible area:</b> 31"w x 77"h 788mm(w) x 1956mm(h) approx.</p> <p>Add 1/2" bleed to top and 1/2" (12.7mm) bleed to base of graphic</p>

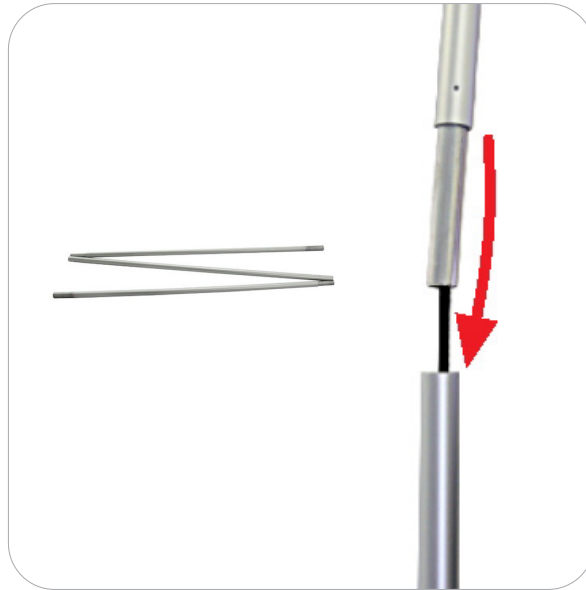
We are continually improving and modifying our product range and reserve the right to vary the specifications without prior notice. All dimensions and weights quoted are approximate and we accept no responsibility for variance. E&OE. See Graphic Templates for graphic bleed specifications.

# Banner Assembly

## Step by Step

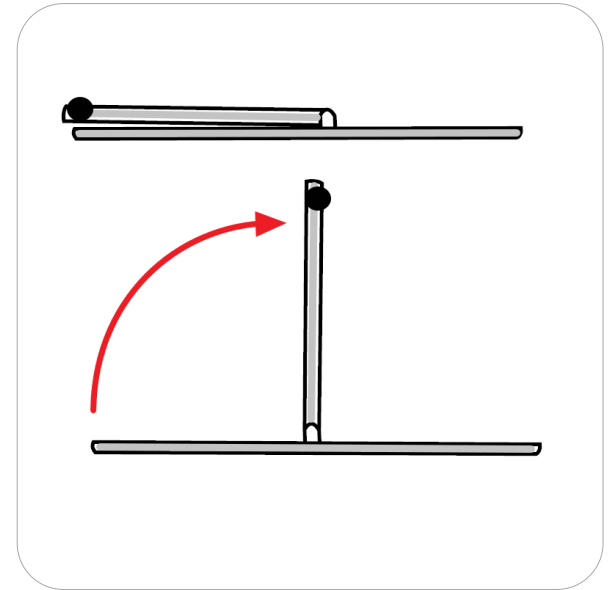
### Step 1.

Start by removing the banner from carry bag. Assemble the 3 piece bungee pole.



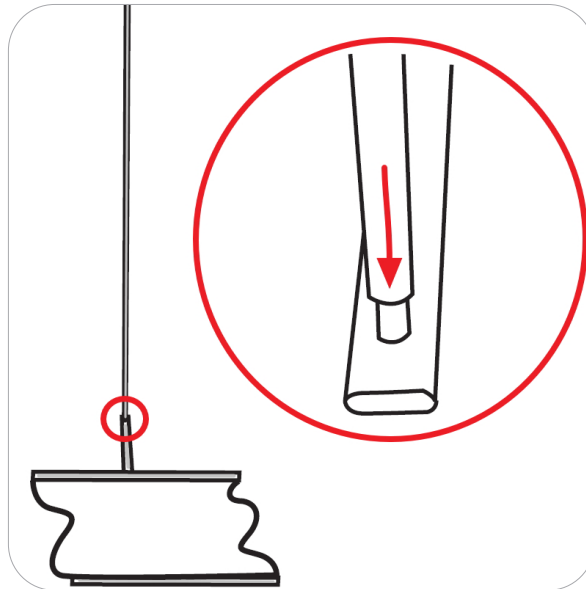
### Step 2.

Next, take the bottom rail of the banner frame and rotate the stabilizing leg in a 90° position.



### Step 3.

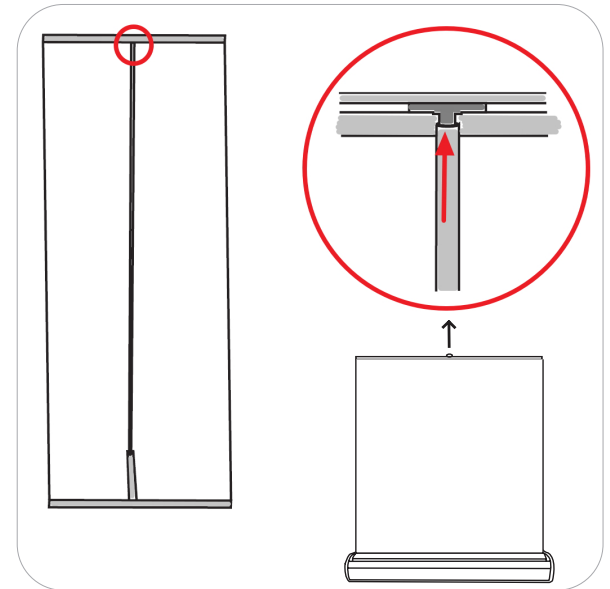
Next, insert the pole into the stabilizing leg.



### Step 4.

Next, take the top rail to raise the graphics panel. Attach the top rail to the top of the pole. Do not step on the stabilizing leg when attaching the graphic rail to the top of the pole.

Setup is complete.

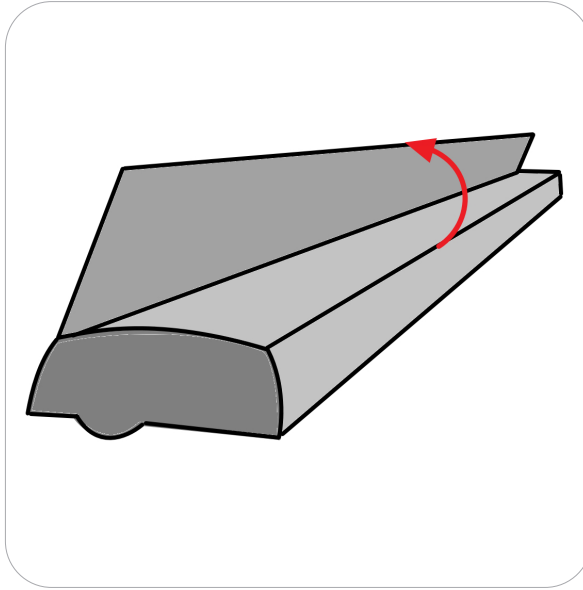


# Graphic Attachment

## Step by Step

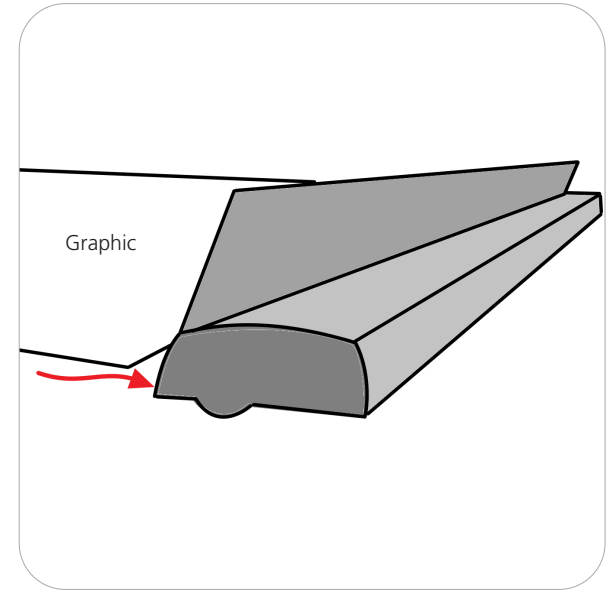
### Step 1.

Open the top rail graphic bar.



### Step 2.

Take the graphic and insert it into the top rail.



### Step 3.

Close the top rail to hold the graphic in place.

Repeat steps 1 through 3 for the bottom rail.

