

# LED ECONOMY FLOOD LIGHT

ITEM: LUM-LED7-SINGLE | LUM-LED7-DOUBLE

The LED Economy Floodlight is a 12 watt UL approved floodlight with a straight arm and adjustable head. With the universal fitting kit, this light can be used as display lighting on almost any trade show product. Uses multi cups chip on board (MCOB) light technology and features a slim profile. LED rated for 20,000 hours. Available as a single or double light kit. Transformers in each kit will hold 2 lights, maximum.

## LUMINA LED7 ECONOMY FLOODLIGHT



We are continually improving and modifying our product range and reserve the right to vary the specifications without prior notice. All dimensions and weights quoted are approximate and we accept no responsibility for variance. E&OE. See Graphic Templates for graphic bleed specifications.

## FEATURES & BENEFITS

- Projects cool white light
- Low voltage 12 watt
- LED rated for 20,000 continuous hours
- Includes 30mm clamp
- Straight arm with adjustable head
- Choose from single or double light kits
- UL Approved
- One year limited warranty

## DIMENSIONS

### Assembled Dimensions:

4.13"w x 17.16"d

### Cords:

Outlet to transformer: 3 ft.

Transformer to lamp arm: 10 ft.

### Shipping Dimensions:

Single Light Kit: 20"L x 10"W x 3"D / 3 lbs

Double Light Kit: 20"L x 6"W x 2"D / 2 lbs

## ADDITIONAL INFORMATION

### Lighting:

Dual voltage: 100-240V

Low voltage LED: 12 watts

UL Approved

1300 Lumens

5500 Kelvins

**CAUTION!** To reduce the risk of fire, electric shock or injury to persons:

- Protect the fixture from impact, scratching or abrasions.
- If the cord-set becomes damaged, replace the cord-set before using fixture.
- Turn off, unplug fixture and allow to cool before storing.

### Have a Question?

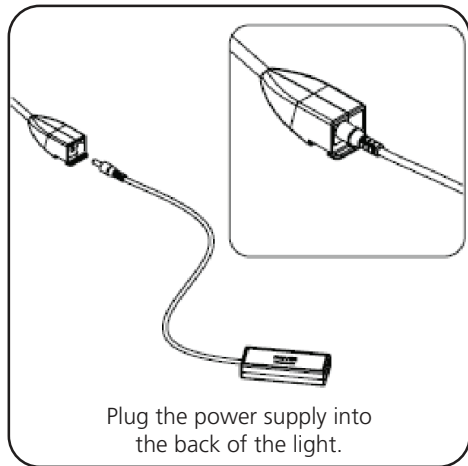
Please contact [support@tradeshowplus.com](mailto:support@tradeshowplus.com)

# ASSEMBLY

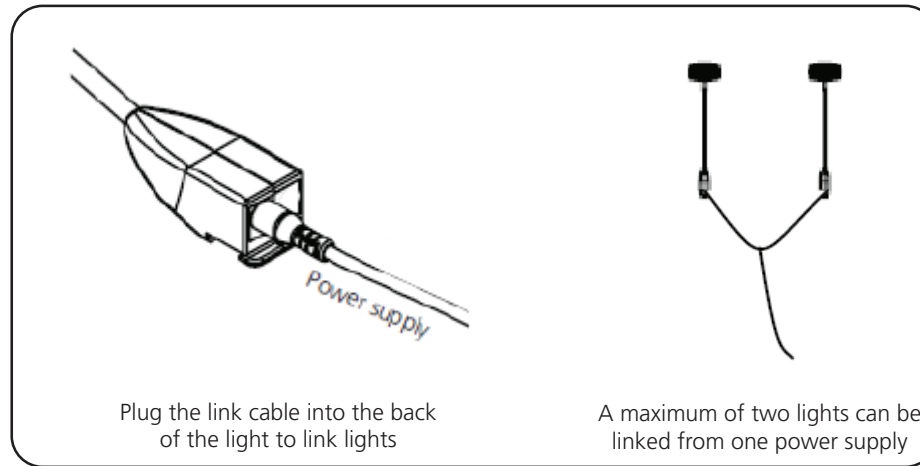
**Have a Question?**

Please contact [support@tradeshowplus.com](mailto:support@tradeshowplus.com)

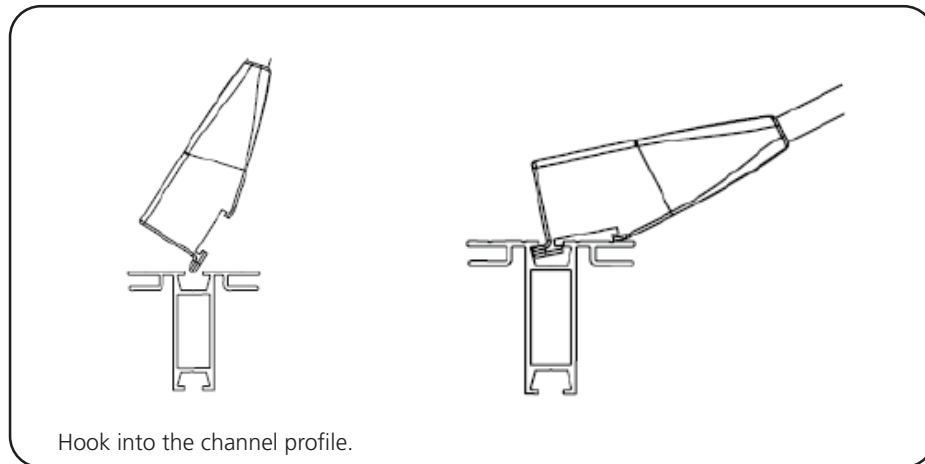
## Connecting the Power Supply



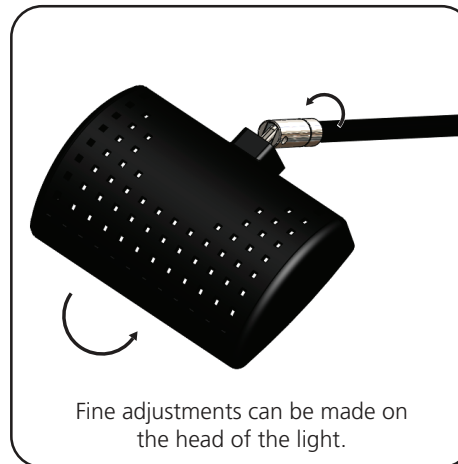
## Linking lights together



## Attaching the Light to Extrusions



## Positioning the Light



## Plugging in the Power Supply









# Exhibit Lighting

Have a Question?

Please contact [support@tradeshowplus.com](mailto:support@tradeshowplus.com)

Visit: [tradeshowplus.com](http://tradeshowplus.com)

Image	Name	Description	Includes
	<p>Lumina 200 LED Floodlight Black / Silver</p>	<p>LED version of the Lumina 200 LED rated for 20,000 continuous hours 1400-1550 Lumens / 5200-5600K Kelvins 19" long from end to end</p>	<p>Includes 110 volt UL approved transformer, universal fittings kit, and 30mm clip</p>
	<p>Slimline LED Banner Stand Spotlight</p>	<p>Low voltage 5 watt Straight arm with adjustable head 500 Lumens / 5500K Kelvins 17.18" long from end to end</p>	<p>Dual voltage (100-240V) UL approved transformer, re-usable packaging</p>
	<p>Slimline LED Floodlight</p>	<p>Low voltage 12 watt Straight arm with adjustable head 1200 Lumens / 5500K Kelvins 7.16" long from end to end</p>	<p>Dual voltage (100-240V) UL approved transformer, re-usable packaging, and 30mm clip</p>
	<p>Slimline LED Striplight</p>	<p>Low voltage 12 watt Straight arm with adjustable head 1200 Lumens / 5500K Kelvins 16.1" long from end to end</p>	<p>Dual voltage (100-240V) UL approved transformer, re-usable packaging, and 30mm clip</p>
	<p>Slimline LED Exhibition Display Light</p>	<p>Low voltage 12 watt Straight arm with adjustable head 1200 Lumens / 5500K Kelvins 17.13" long from end to end</p>	<p>Dual voltage (100-240V) UL approved transformer, re-usable packaging</p>
	<p>LED Economy Floodlight</p>	<p>Low voltage 12 watt Straight arm with adjustable head 1300 Lumens / 5500K Kelvins 17" long from end to end</p>	<p>Dual voltage (100-240V) UL approved transformer, re-usable packaging, and 30mm clip</p>

# Exhibit Lighting Accessories

---

Have a Question?

Please contact [support@tradeshowplus.com](mailto:support@tradeshowplus.com)

Visit: [tradeshowplus.com](http://tradeshowplus.com)

## UNIVERSAL LIGHT CLAMP KIT

The Lumina Universal Mounting Kit includes all the parts needed to expand the use of Lumina lights to virtually all types of displays. Clamp expands to 30mm. Optional 50mm expansion clamp.



## LED LIGHT BATTERY PACK

The LED Light Battery Pack is a portable, high-quality rechargeable power pack that provides electricity for hours! It is perfect for events, trade show and outdoor use where outlets may not be available or desired.



## SPOTLIGHT CASE

The Lumina SPT Spotlight Case is an EVA semi-rigid, lighting case that holds two Lumina 200 LED lights and power supplies. The case features foam-lined, padded compartments that safely store contents during transport.

