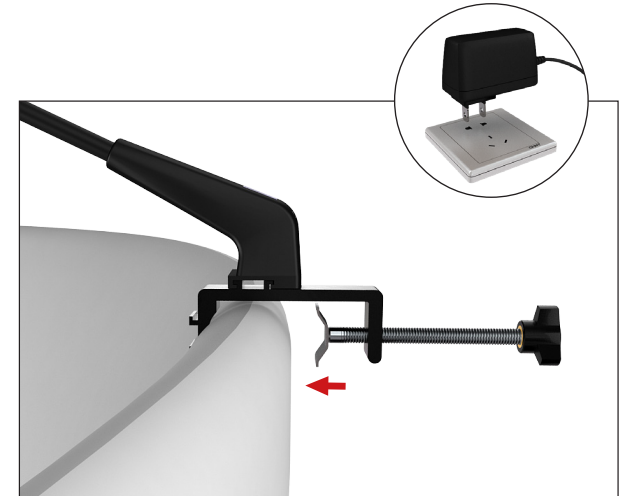
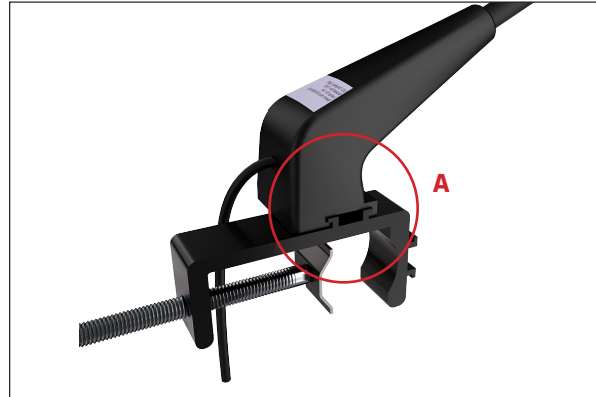


Set Up Instructions

L4000C VISE CLAMP LIGHT

Step 1: Connect light to clamp by sliding onto rails of clamp. Reference illustration **A** for alignment.

Step 2: Attach light to fabric display by screwing clamp into position and adjusting the angle to your preference before tightening.



| Specs for the Waveline LED | | | |
|----------------------------|-----------|-----------|-------|
| Item | Symbol | Value | Unit |
| Led Forward Current | I_F | 20 | mA |
| Input Voltage | V | 5 | V |
| Power Dissipation | P_D | 15 | W |
| Electrostatic Discharge | E_{SD} | 1000 | V |
| Operation Temperature | T_{OPR} | -30~+80 | °C |
| Storage Temperature | T_{STG} | -30~+80 | °C |
| Luminous | I_V | 745 | L_m |
| Spread | TC | 9000 | K |
| Viewing Angle | | 90 | D |
| Color Temp | | 7000~9000 | K |
| Size | | 128*79*2 | mm |

