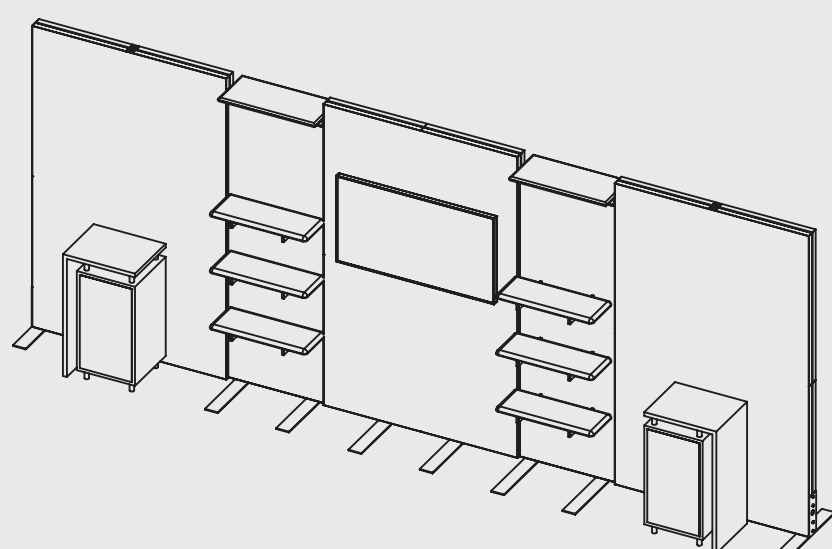


Hybrid Pro Modular Kit 31

TEMPLATE @ 1/2 SIZE

Dye Sub Graphic Panels A, C and E
Total Graphic Area: 63" w x 98.375" h
Finished Graphic Area: 59" w x 94.375" h



Dye Sub Graphic Panel B and D
Total Graphic Area: 33.4375" w x 90.5" h
Finished Graphic Area: 29.4375" w x 86.5" h

Please be sure to include a 2" bleed around the perimeter of the center graphic.

Please consider obstructions and spaces created by the extrusions when designing your graphics.

General Art Guidelines:

- CMYK Color Mode
- All Solid Coated Pantone colors should be called out in the art as spot colors
- Embed all images and support files
- Resolution must be 200-240 ppi @ 1/2 size, 100-120 ppi @ full size
- All fonts must be created to outlines
- Do not scale artboard
- Background color/images must bleed to the edge of artboard
- Do not use spot colors from template in your artwork as they will not print

PANEL A

REPRESENTS
OBSTRUCTION
ONLY



PANEL B

**REPRESENTS
OBSTRUCTION
ONLY**

PANEL C



PANEL D

PANEL E

**REPRESENTS
OBSTRUCTION
ONLY**

bleed area —
trim line —
safe zone —