

Hybrid Pro Modular Kit: Hybrid Pro Modular Kit 20

TEMPLATE @ 1/4 SIZE

Dye Sub Graphic F (RNG-1204)

Outside Dimension:

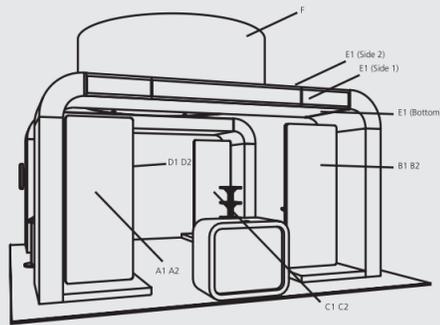
Total Graphic Area: 462.4"w x 58"h

Finished Graphic Area: 452.4"w x 48"h

Inside Dimension:

Total Graphic Area: 455"w x 58"h

Finished Graphic Area: 445"w x 48"h



Dye Sub Fabric Panel A1, A2, B1, B2,
C1, C2, D1 and D2

Total Graphic Area: 43"w x 98.375"h

Finished Graphic Area: 39"w x 94.375"h

Dye Sub Fabric Panel E1 and E2

Total Graphic Area: 169.3125"w x 78.875"h

Finished Graphic Area: 165.3125"w x 74.875"h
(Sides are 11.8125"h and bottom is 47.25"h)

Please be sure to include 5" bleed around
the perimeter of the hanging structure panels.

Please be sure to include 2" bleed around
the perimeter of dyesub panels.

Please consider obstructions and spaces
created by the extrusions when designing
your graphics.

General Art Guidelines:

- CMYK Color Mode
- All Solid Coated Pantone colors should
be called out in the art as spot colors
- Embed all images and support files
- Resolution must be 400-480 ppi
at 1/4 size, 100-120 ppi at full size
- All fonts must be created to outlines
- Do not scale artboard
- Background color/images must
bleed to the edge of artboard
- Do not use spot colors from template
in your artwork as they will not print

PANEL A1

PANEL A2

PANEL B1

PANEL B2

PANEL C1

PANEL C2

PANEL D1

PANEL D2

bleed area —
trim line —
safe zone —

PANEL E1 (Side 1)

PANEL E1 (Bottom)

PANEL E1 (Side 2)

(Text and critical info should be flipped upside down)

PANEL E2 (Side 1)

PANEL E2 (Bottom)

PANEL E2 (Side 2)

(Text and critical info should be flipped upside down)

PANEL F (Outside)

PANEL F (Inside)

bleed area
trim line
safe zone