

# Hybrid Pro Modular Counter 11

Hybrid Pro Modular Counter 11 is an excellent counter solution for any exhibit, featuring accessible storage with locking doors, white laminate cabinet with printed front graphics. The Hybrid Pro Modular Counter 11 adds a professional, branded touch to any exhibit or environment. Choose from four counter top colors silver, black, mahogany and natural. Custom manufactured to order with a lifetime warranty.



## features and benefits:

- White laminate panel cabinet
- UV graphic
- Laminated counter top available in choice of four colors
- Locking storage door in back
- Easy step-by-step instructions
- Kit includes laminated cabinet, locking storage door, one graphic and one molded case
- Lifetime hardware warranty against manufacturer defects

## dimensions:

| Hardware  | Graphic   |
|---|---|
| <p>Assembled unit:<br/>71.06" w x 36.61" h x 32.72" d<br/>1806.7mm(w) x 930.4mm(h) x 831.85mm(d)</p> <p>Counter holds max weight 50 lbs / 22.86 kgs</p>   | <p>Total visual area:<br/>79.4375" w x 35.1875" h</p> <p>Please be sure to include a 2" bleed around the perimeter.</p> <p>Refer to related graphic templates for more information</p> <p>Visit: <a href="http://www.tradeshowplus.com">www.tradeshowplus.com</a></p> |
| Shipping  |   |
| <p>Shipping dimensions - ships in 1 case:<br/>1 OCF case: 51" l x 38" w x 24" h<br/>1295.4mm(l) x 965mm(w) x 609.6mm(h)</p> <p>Approximate shipping weight (entire kit):<br/>176 lbs / 79.8 kgs</p> |   |

## additional information:

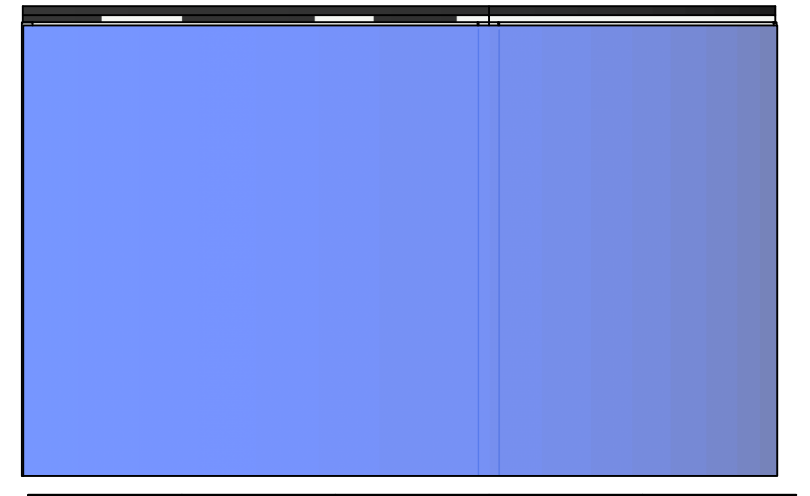
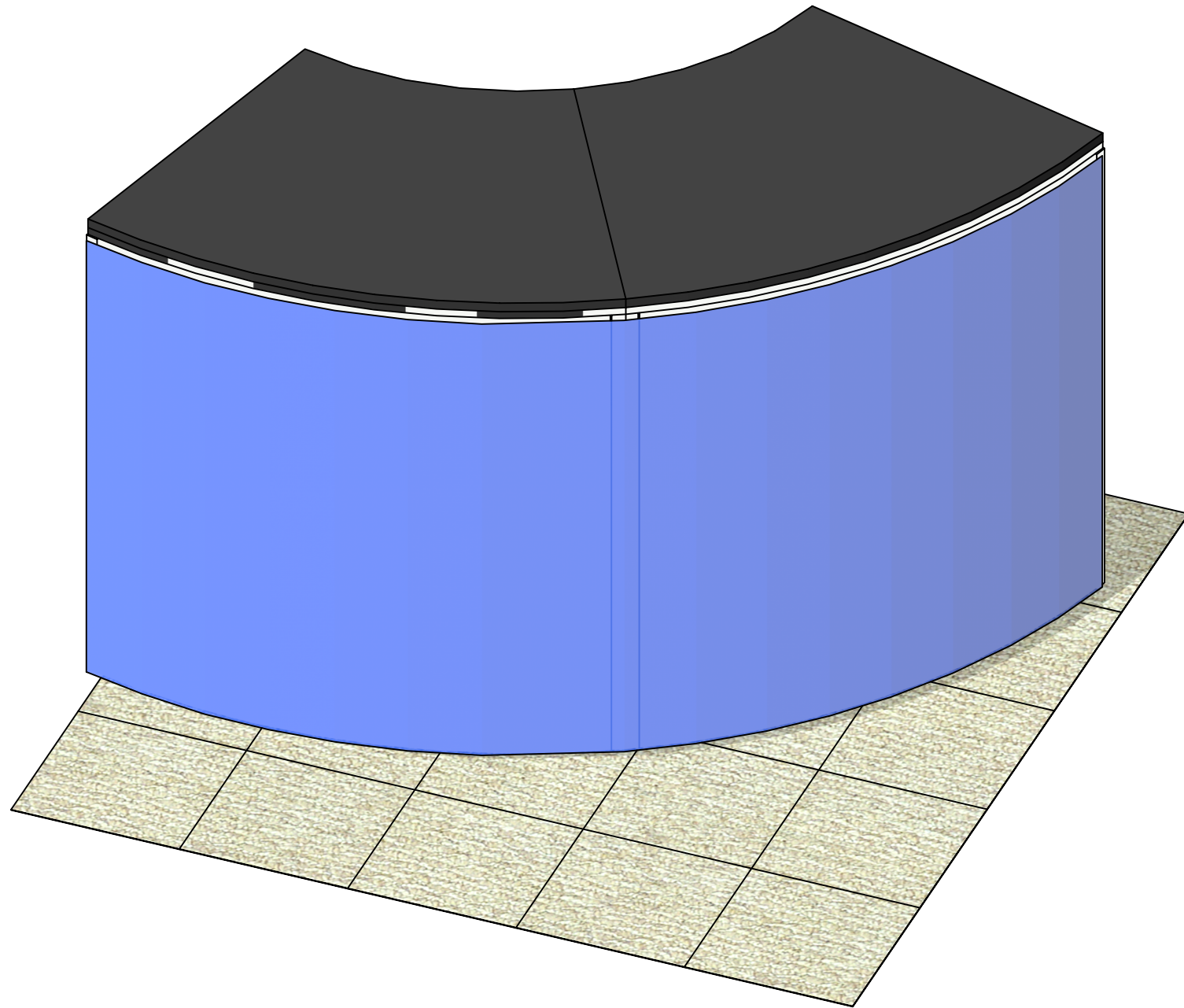
Graphic material:  
UV graphic

Tabletop color options:



We are continually improving and modifying our product range and reserve the right to vary the specifications without prior notice. All dimensions and weights quoted are approximate and we accept no responsibility for variance. E&OE. See Graphic Templates for graphic bleed specifications.

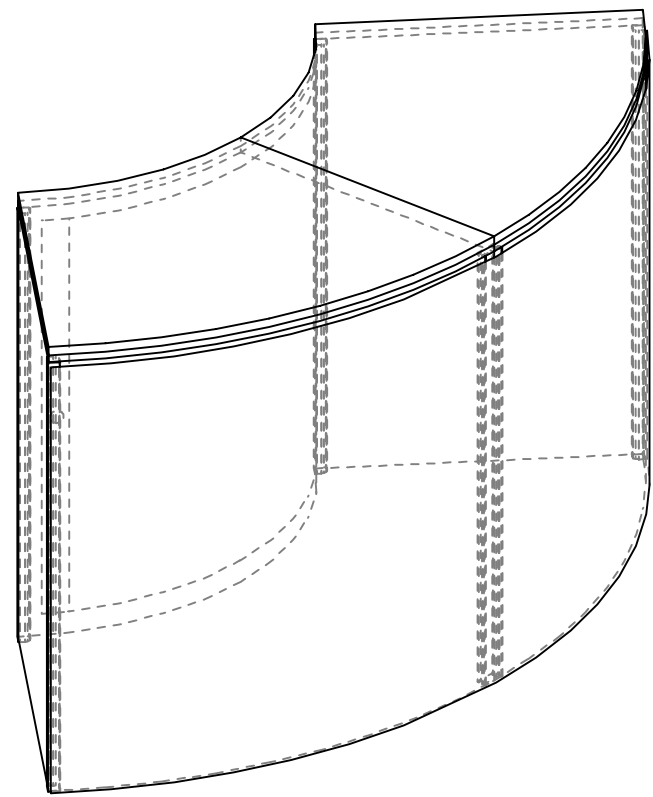
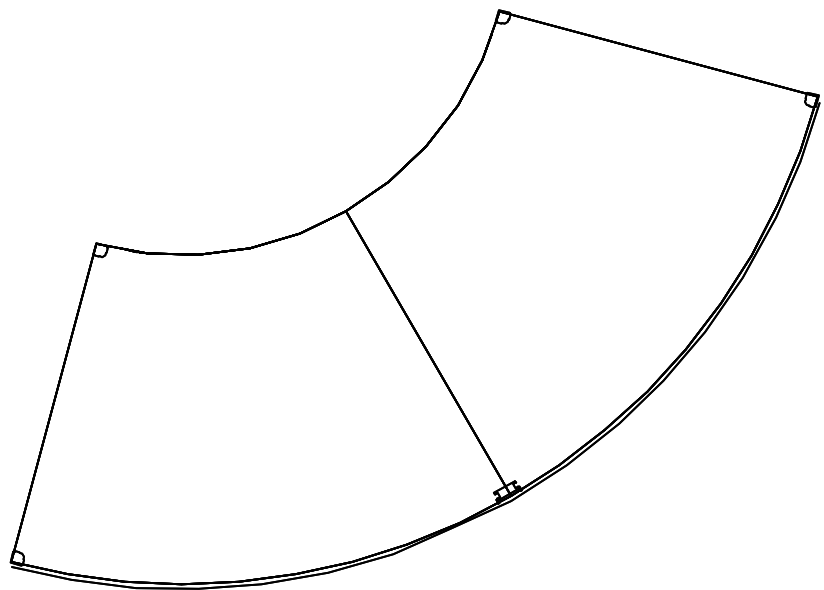
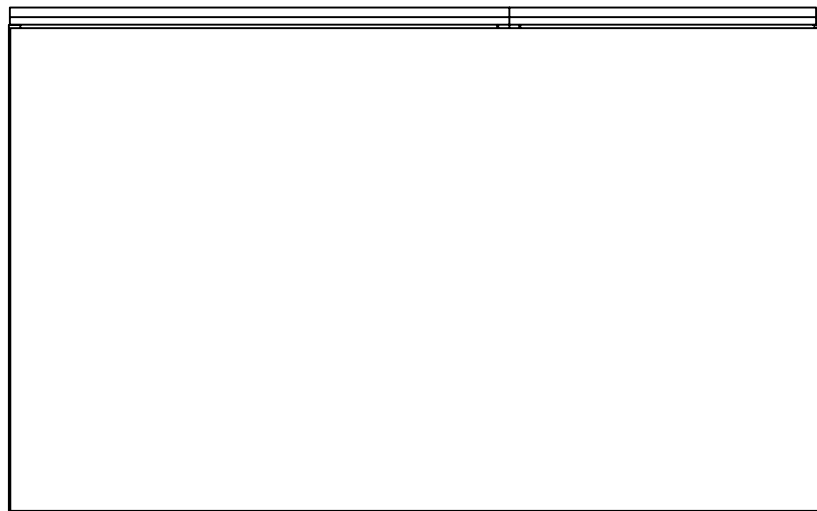
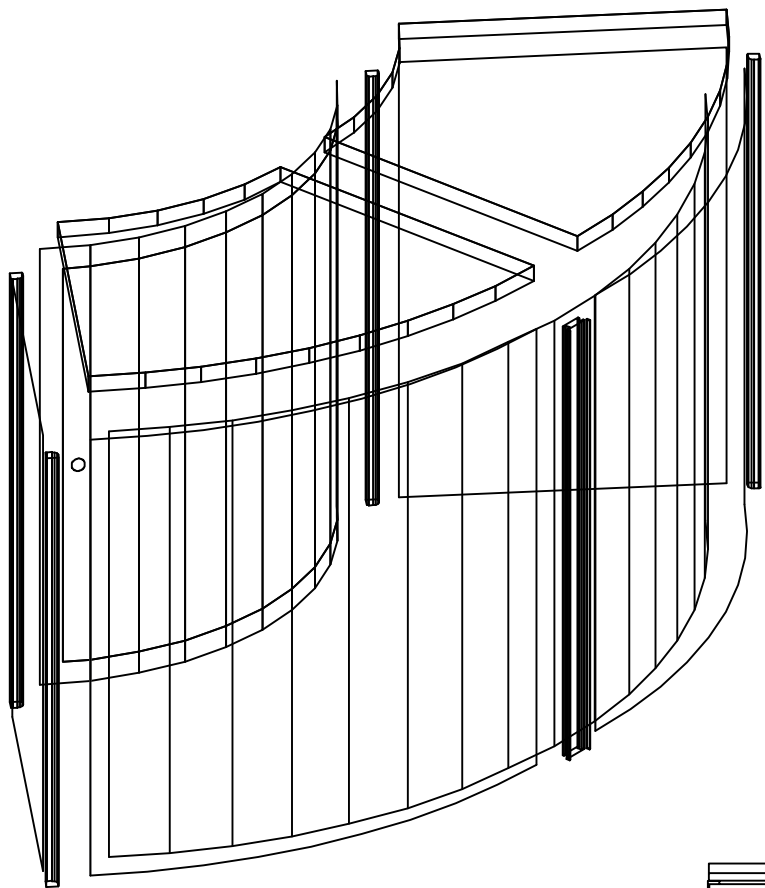
R-RCK-06



| Code      | # | Description   |
|-----------|---|---|
| L90S-900  | 4 | 900MM (35.43") 90 DEGREE SILVER LINK EXTRUSION90 DEGREE                                   |
| R103      | 1 | 900MM (35.43") PH EXTRUSION   |
| L180N-900 | 2 | 900MM (35.43") 180N DEGREE SILVER LINK EXTRUSION  |
| CT-33L    | 2 | CT33L WITH 1 2'RADII/ 1 4'RADII   |
| R85       | 2 | 4'R X 900MM LAMINATE CURVE PANEL  |
| R73       | 1 | 2'R X 900MM CABINET DOOR - CONCAVE  |
| R74       | 2 | 3 X 2 (900MM X 600MM) LAMINATE PANEL  |
| GRAPHIC   | 1 | 35.1875" (H) X 79.4375" (W) ROLLABLE DETACHABLE DSG GRAPHIC WITH MAGNET ON BACK PERIMETER |

# BOM

R-RCK-06

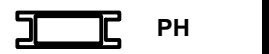
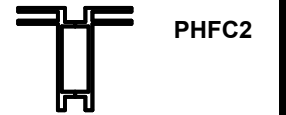
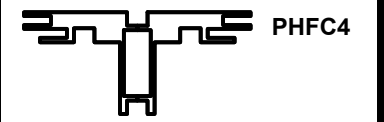
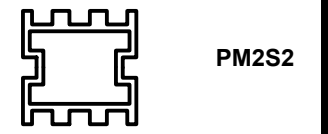
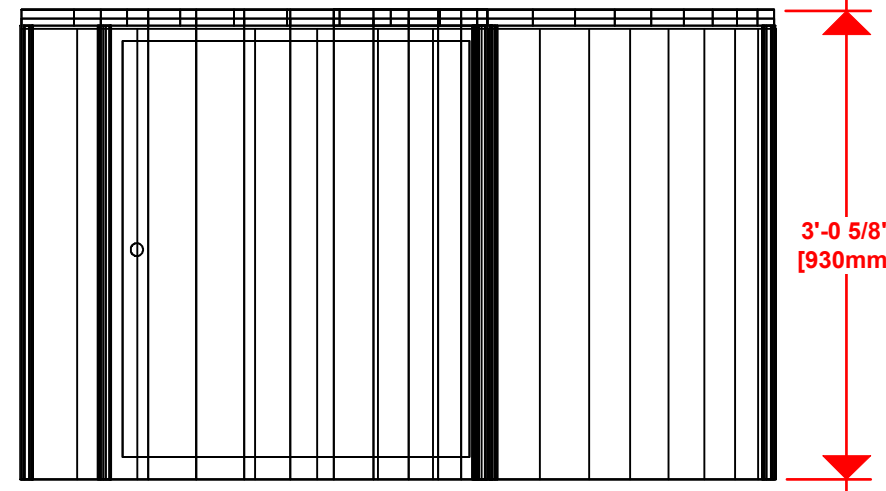
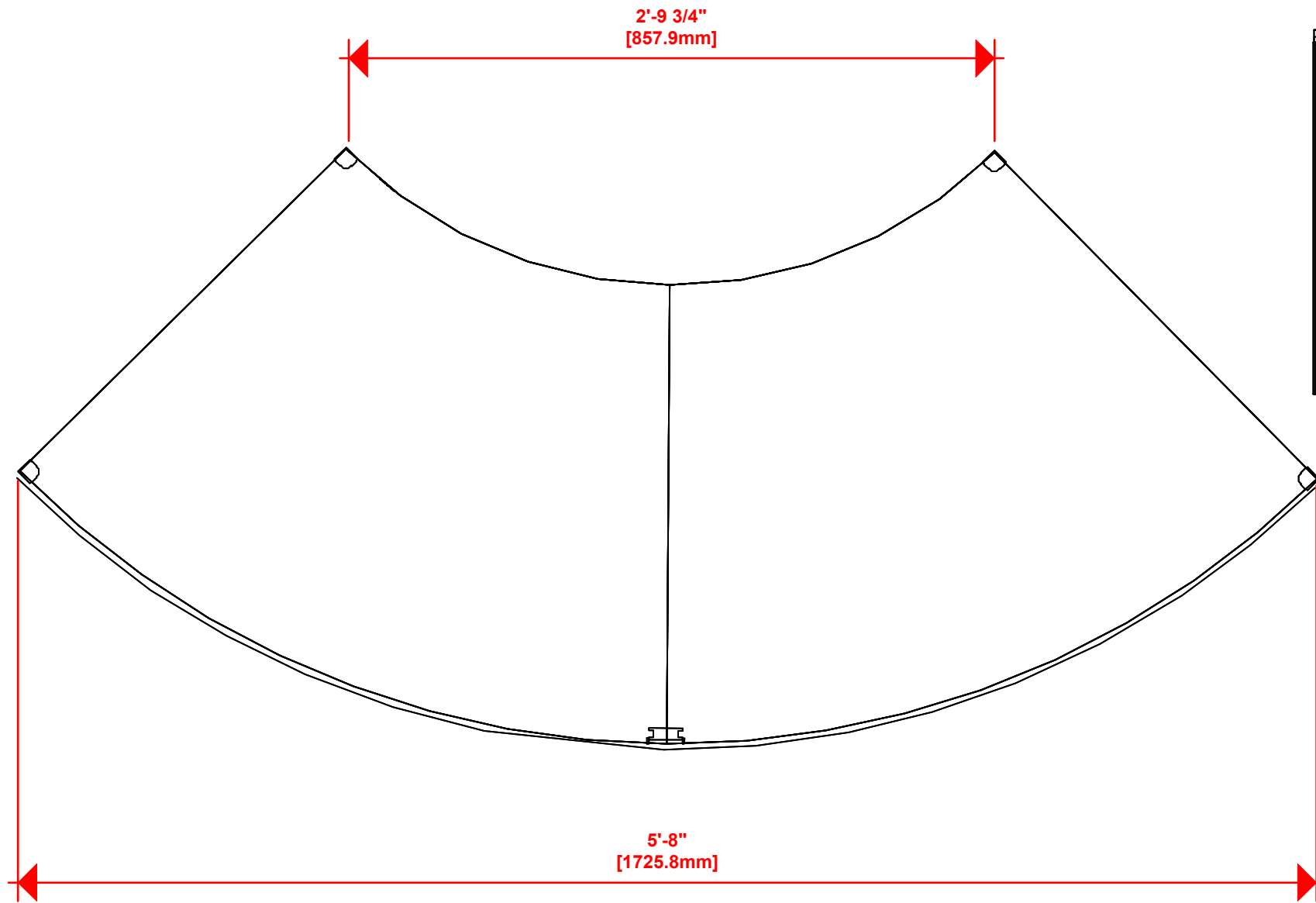


1. Redesign of this exhibit without approval by manufacturer may result in dangerous and unsafe structures. Manufacturer disclaims any responsibility for redesigned exhibits it does not approve in writing.

2. Parts and components such as panels and extrusions are manufactured to metric sizing. Where ever possible sizes have been noted in feet and inches as well as in metric. Below is the imperial to metric sizing table as reference. "Nominal" refers to approximate size.

|                    |                                   |
|--------------------|-----------------------------------|
| 2400mm = (94 1/2") | ☐ Phone Line / Fax                |
| 2100mm = (82 5/8") | ⚡ Internet connection             |
| 1800mm = (70 7/8") | ⚡ Outlet                          |
| 1500mm = (59")     | ⚡ Main Drop (point of distrution) |
| 1200mm = (47 1/4") |                                   |
| 900mm = (35 1/2")  |                                   |
| 600mm = (23 5/8")  |                                   |
| 300mm = (11 7/8")  |                                   |

--- Wire running under carpet



**HYBRID PRO RENTAL KIT**

Title: SET-UP INSTRUCTIONS

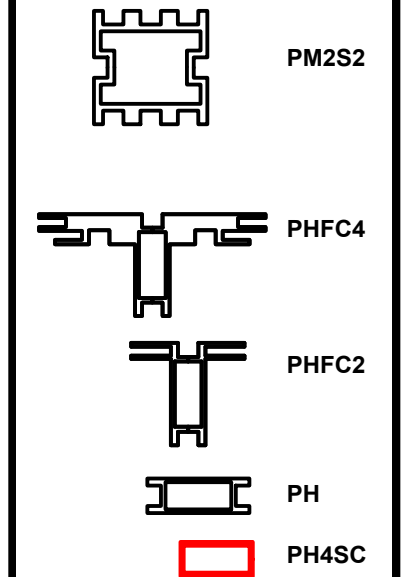
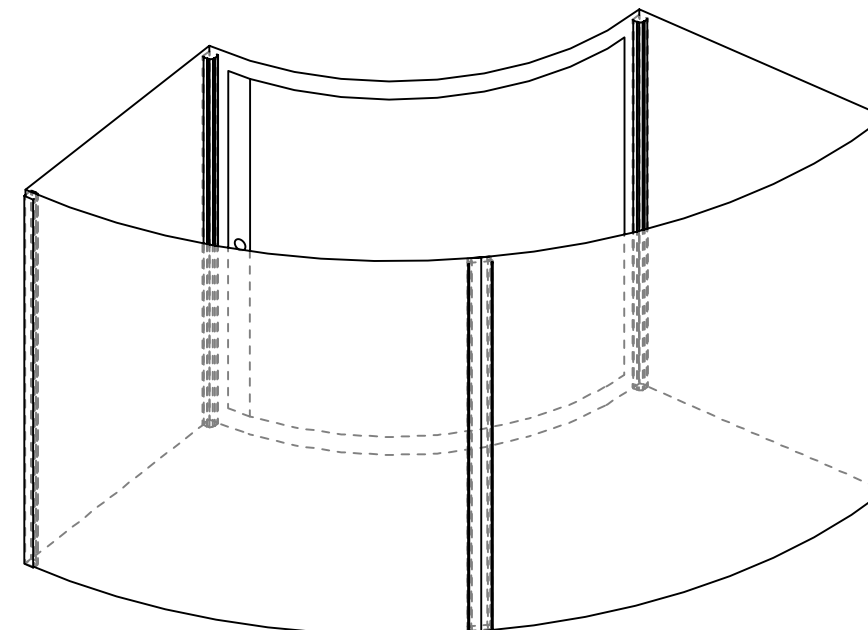
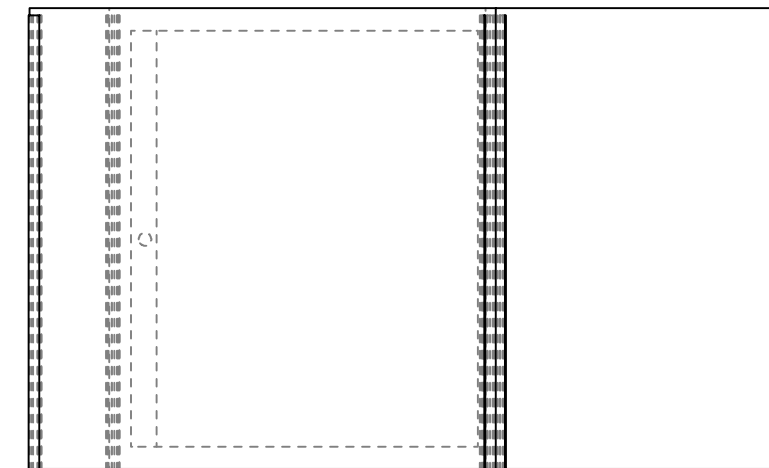
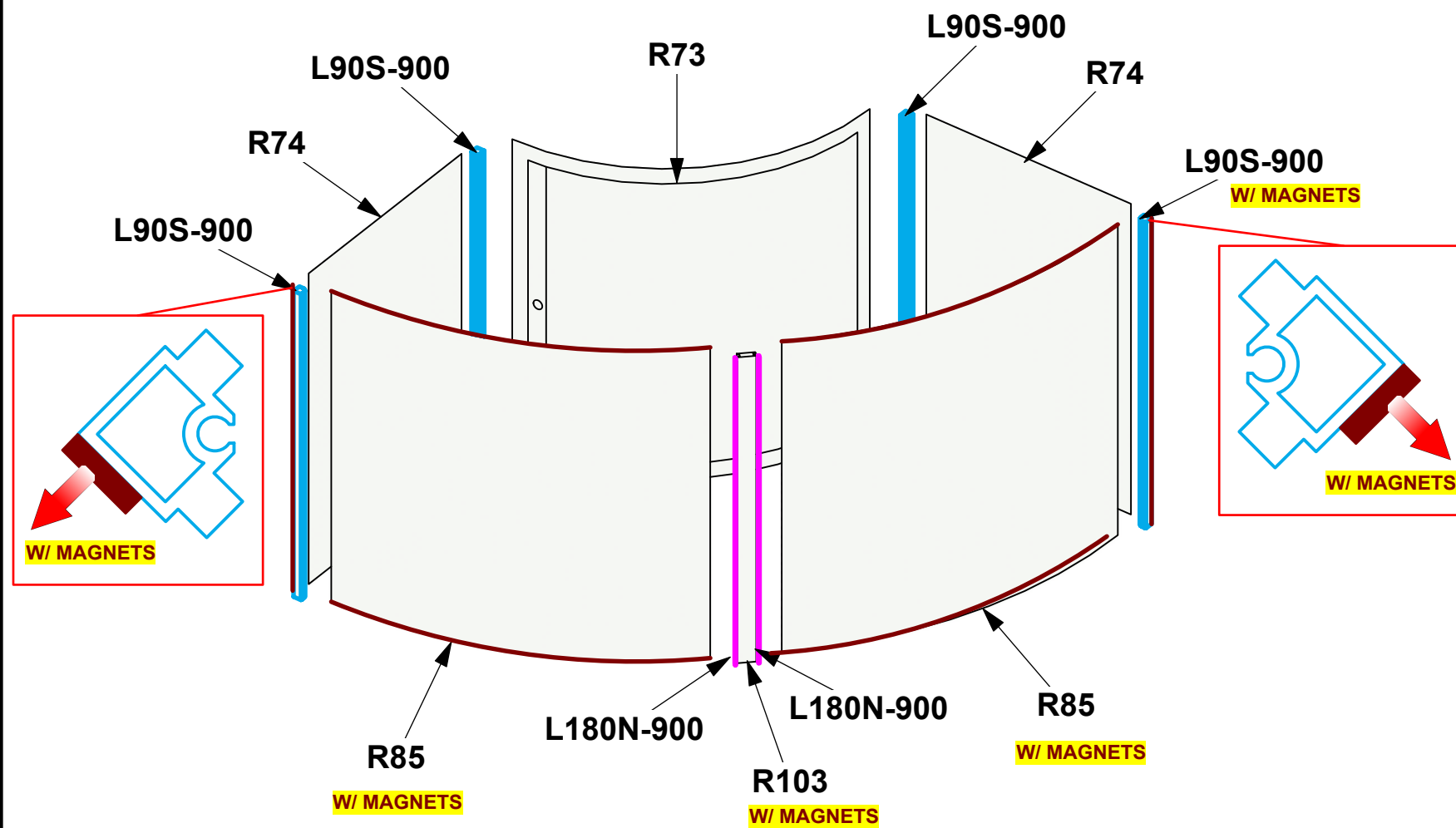
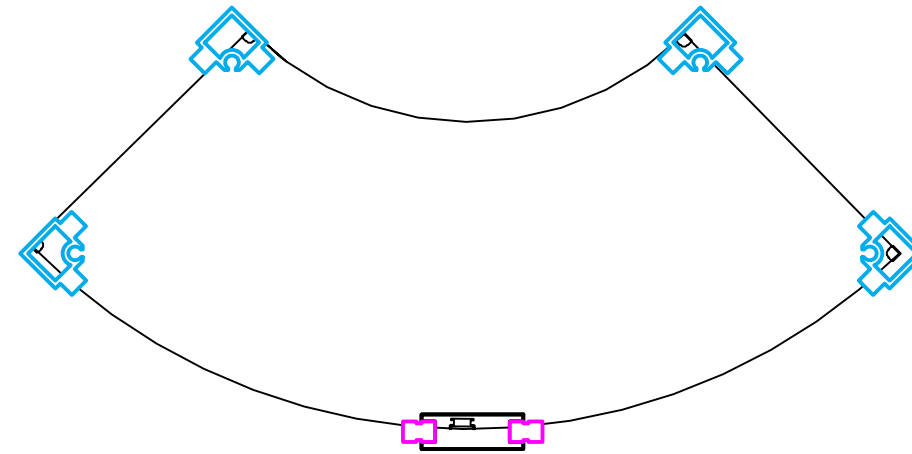
| Code      | # | Description  |
|-----------|---|--|
| L90S-900  | 4 | 900MM (35.43") 90 DEGREE SILVER LINK EXTRUSION 90 DEGREE |
| R103      | 1 | 900MM (35.43") PH EXTRUSION                              |
| L180N-900 | 2 | 900MM (35.43") 180N DEGREE SILVER LINK EXTRUSION         |
| R85       | 2 | 4'R X 900MM LAMINATE CURVE PANEL                         |
| R73       | 1 | 2'R X 900MM CABINET DOOR - CONCAVE                       |
| R74       | 2 | 3 X 2 (900MM X 600MM) LAMINATE PANEL                     |

1. Redesign of this exhibit without approval by manufacturer may result in dangerous and unsafe structures. Manufacturer disclaims any responsibility for redesigned exhibits it does not approve in writing.

2. Parts and components such as panels and extrusions are manufactured to metric sizing. Where ever possible sizes have been noted in feet and inches as well as in metric. Below is the imperial to metric sizing table as reference. "Nominal" refers to approximate size.

|                    |                                 |
|--------------------|---------------------------------|
| 2400mm = (94 1/2") | Phone Line / Fax                |
| 2100mm = (82 5/8") | Internet connection             |
| 1800mm = (70 7/8") | Outlet                          |
| 1500mm = (59")     | Main Drop (point of distrution) |
| 1200mm = (47 1/4") |                                 |
| 900mm = (35 1/2")  |                                 |
| 600mm = (23 5/8")  |                                 |
| 300mm = (11 7/8")  |                                 |

--- Wire running under carpet



HYBRID PRO RENTAL KIT

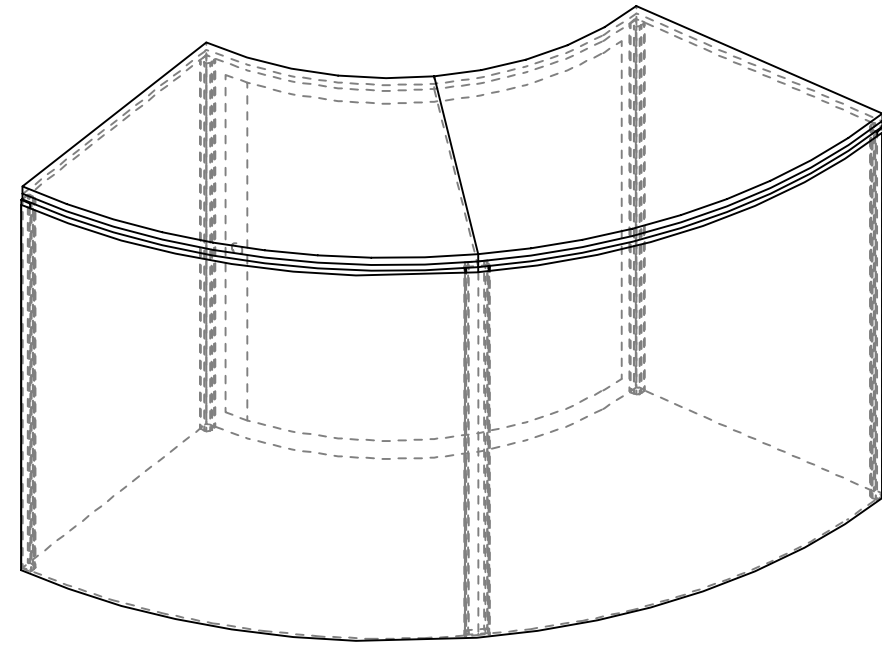
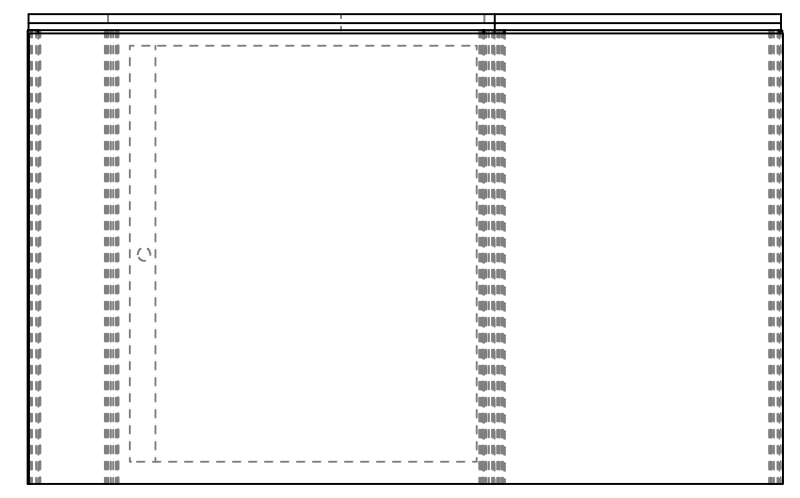
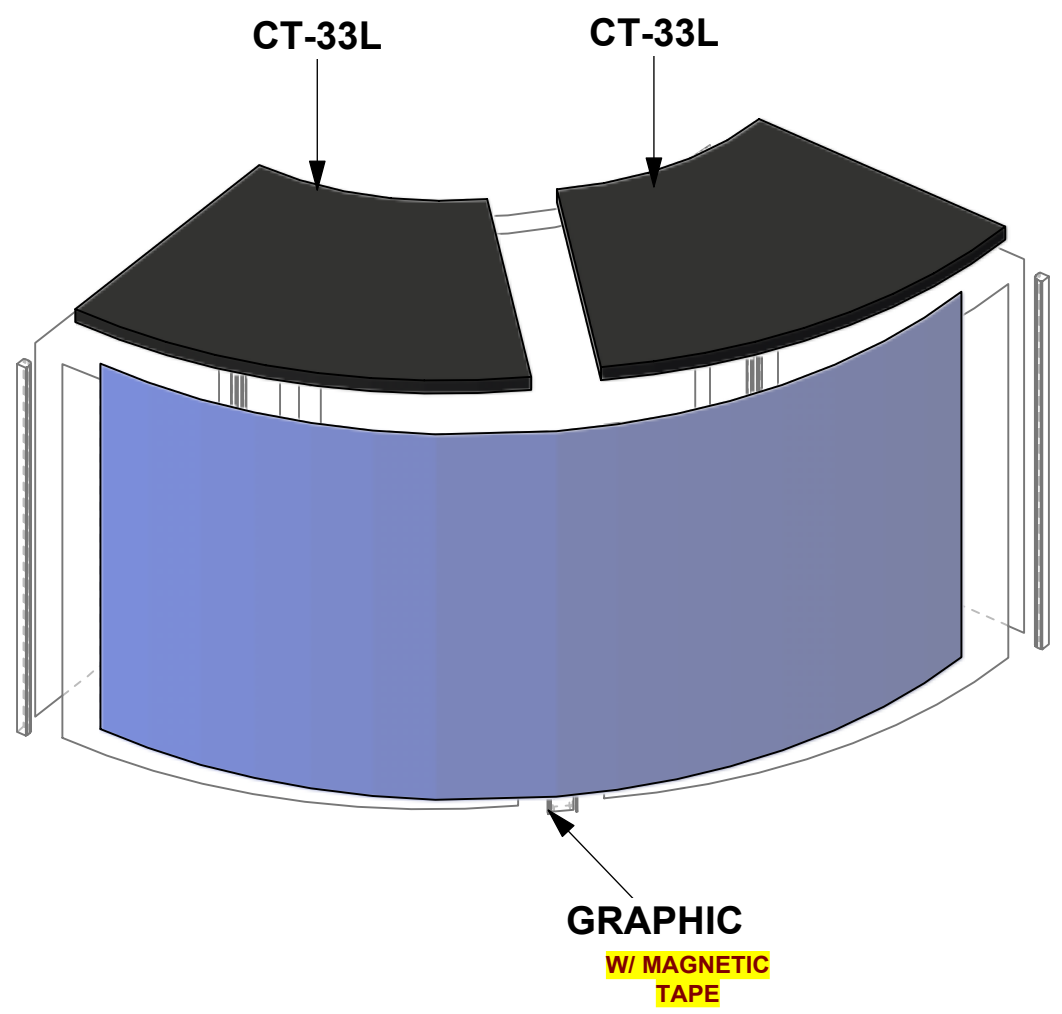
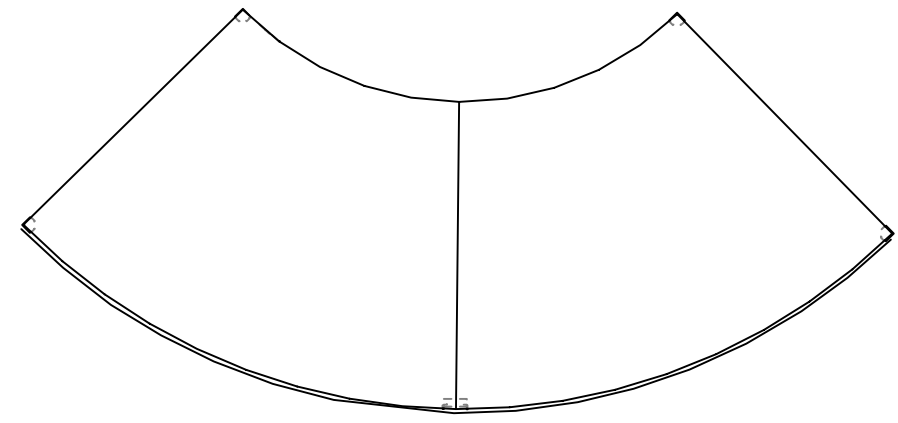
Title: SET-UP INSTRUCTIONS

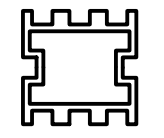
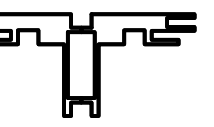
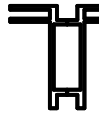


| Code    | # | Description   |
|---------|---|---|
| CT-33L  | 2 | CT33L WITH 1 2'RADII/ 1 4'RADII   |
| GRAPHIC | 1 | 35 3/16" (H) X 79 3/16" (W) ROLLABLE DETACHABLE DSG GRAPHIC WITH MAGNET ON BACK PERIM |

1. Redesign of this exhibit without approval by manufacturer may result in dangerous and unsafe structures. Manufacturer disclaims any responsibility for redesigned exhibits it does not approve in writing.

2. Parts and components such as panels and extrusions are manufactured to metric sizing. Where ever possible sizes have been noted in feet and inches as well as in metric. Below is the imperial to metric sizing table as reference. "Nominal" refers to approximate size.

- |                    |                                 |
|--------------------|---------------------------------|
| 2400mm = (94 1/2") | Phone Line / Fax                |
| 2100mm = (82 5/8") | Internet connection             |
| 1800mm = (70 7/8") | Outlet                          |
| 1500mm = (59")     | Main Drop (point of distrution) |
| 1200mm = (47 1/4") |                                 |
| 900mm = (35 1/2")  |                                 |
| 600mm = (23 5/8")  |                                 |
| 300mm = (11 7/8")  |                                 |
- Wire running under carpet



-  PM2S2
-  PHFC4
-  PHFC2
-  PH
-  PH4SC

**HYBRID PRO RENTAL KIT**

Title: SET-UP INSTRUCTIONS

# **PACKING INSTRUCTIONS**



(2) R74



(1) CT-33L



(1) CT-33L



(1) R85, (4) L90S-900, (1) R103  
(4) L180N-900



(1) R85



(1) R73

# CASE # 1

|               |  |   |
|---------------|--|---|
| <b>LEGEND</b> |  | GREY FOAM FOLDED TO FILL EMPTY SPACES OR USED AS PROTECTION |
|               |  | 1/8" CARDBOARD SPACER (PUT IN BETWEEN EVERY PANEL)          |
|               |  | DIVIDER   |
|               |  | 1/4" WHITE FOAM (USED AS PROTECTION DOOR PANELS W/ LOCKS)   |

