

Hybrid Pro Modular Counter 03

Hybrid Pro Modular Counter 03 is an excellent counter solution for any exhibit, featuring accessible storage with locking door, white laminate cabinet with optional front and back graphic panels. The Hybrid Pro Modular Counter 03 adds a professional, branded touch to any exhibit or environment. Choose from four counter top colors silver, black, mahogany and natural. Custom manufactured to order with a lifetime warranty.



features and benefits:

- White laminate cabinet
- UV graphic
- Locking storage door in back
- Laminated counter top in choice of 4 color
- Easy step-by-step instructions
- Kit includes laminated cabinet, locking storage door, one molded case
- Lifetime hardware warranty against manufacturer defects

dimensions:

Hardware	Graphic
<p>Assembled unit: 39.375" w x 36.625" h x 15.75" d 1000mm(w) x 930.27mm(h) x 400mm(d)</p> <p>Counter holds max weight 50 lbs / 22.68 kgs</p>	<p>Total visual area: (UV Graphic - Rollable) Front Panel: 37.25" w x 35.18" h</p> <p>Door Graphic: 31.62" w x 31.75" h</p> <p>Please be sure to include a .5" bleed around the perimeter.</p> <p>If ordering Hybrid Pro Kit 10, please design on the door template. If ordering freestanding counter, please design on both the front and the door template.</p> <p>Refer to related graphic templates for more information</p> <p>Visit: tradeshowplus.com</p>
Shipping	
<p>Shipping dimensions - requires 1 OCFM: OCFM case: 49" l x 39" h x 15" d 1245mm(l) x 991mm(h) x 381mm(d)</p> <p>Approximate shipping weight (entire kit): 92 lbs / 41.7 kgs</p>	

additional information:

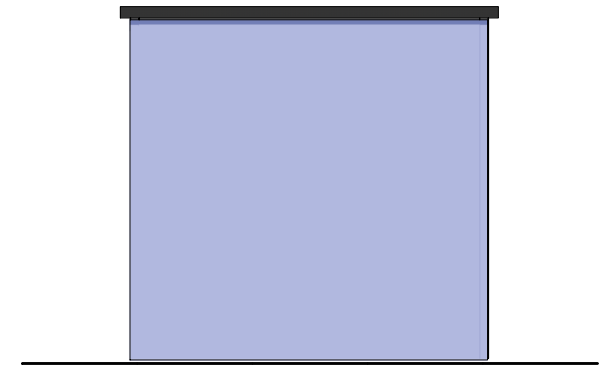
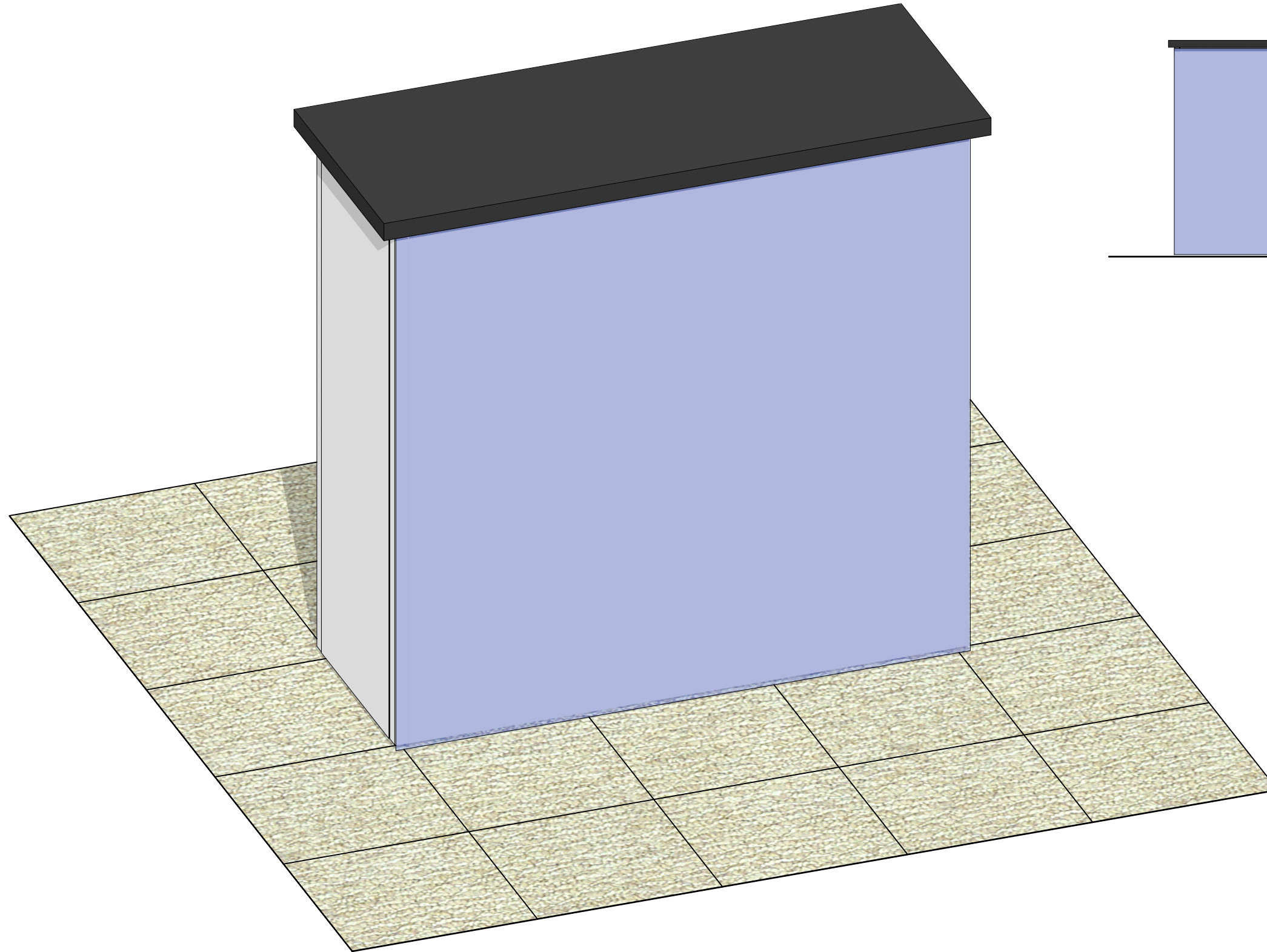
Graphic material:
UV graphic

Tabletop colors options:



We are continually improving and modifying our product range and reserve the right to vary the specifications without prior notice. All dimensions and weights quoted are approximate and we accept no responsibility for variance. E&OE. See Graphic Templates for graphic bleed specifications.

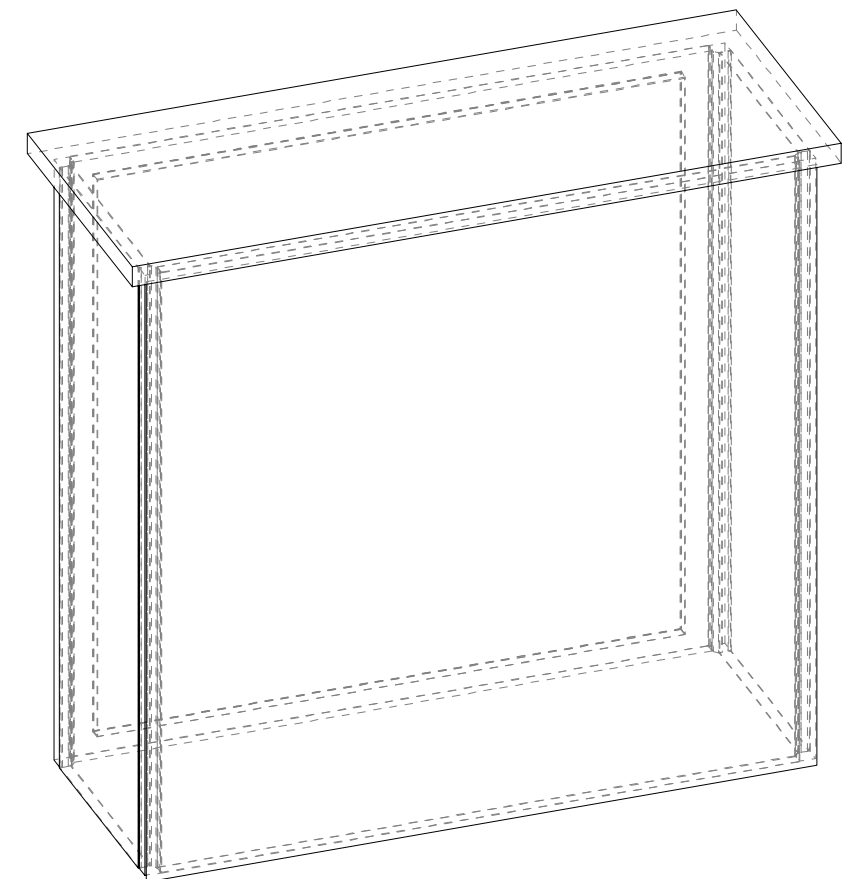
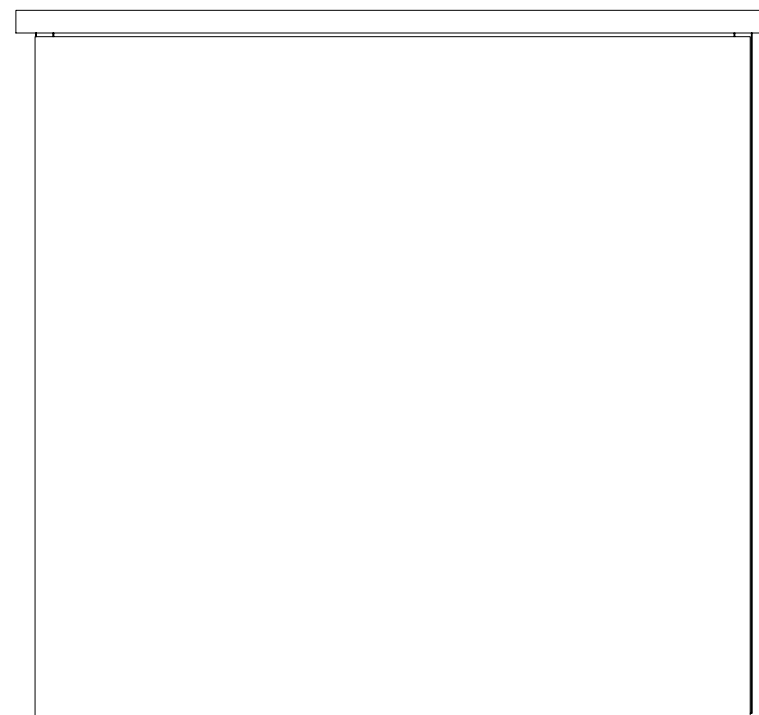
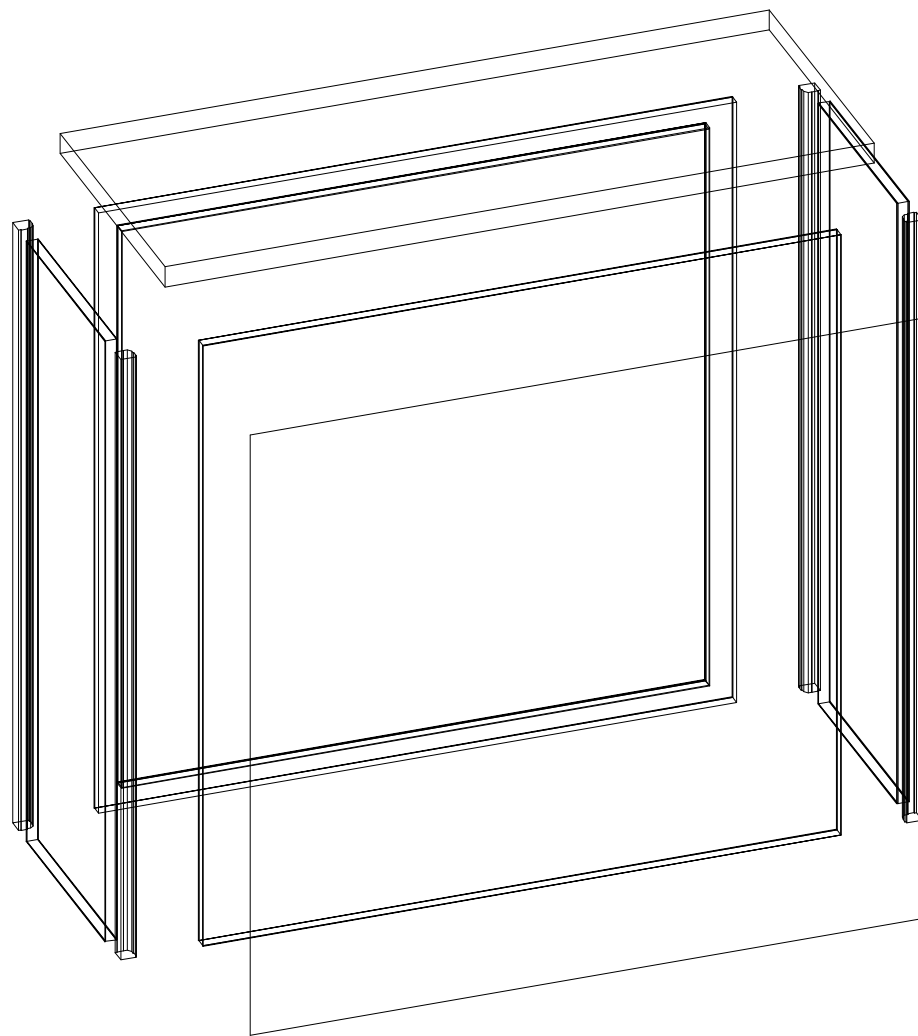
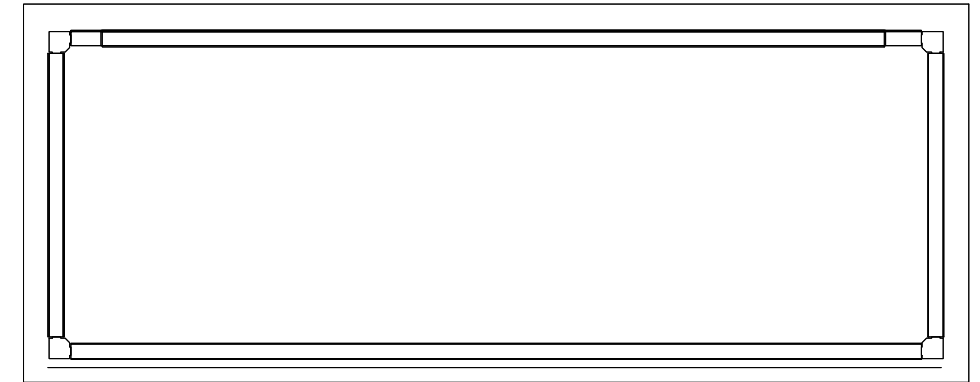
R-HPC-03



Code	#	Description
R58	2	3 X 1 (900MM X 300MM) LAMINATE PANEL
R57	1	3 X 3 (900MM X 900MM) LAMINATE PANEL
L90S-900	4	900MM (35.43") 90 DEGREE SILVER LINK EXTRUSION90 DEGREE
CT-42L	1	4' X 2' LAMINATE COUNTER TOP
R56	1	900MM V x 900MM W LAMINATE CABNET DOOR
GRAPHIC D1 -D2	1	35.18" (H) X 37.25" (W) ROLLABLE DETACHABLE DSG GRAPHIC WITH MAGNET ON BACK PERIMETER□□

BOM

R-HPC-03

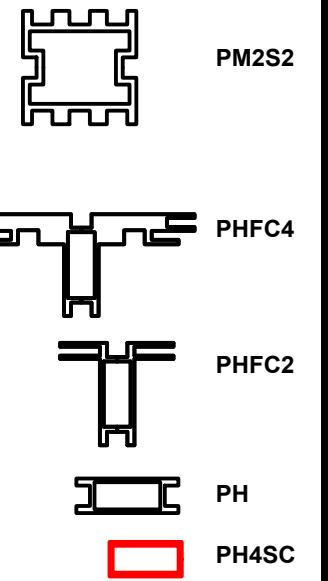
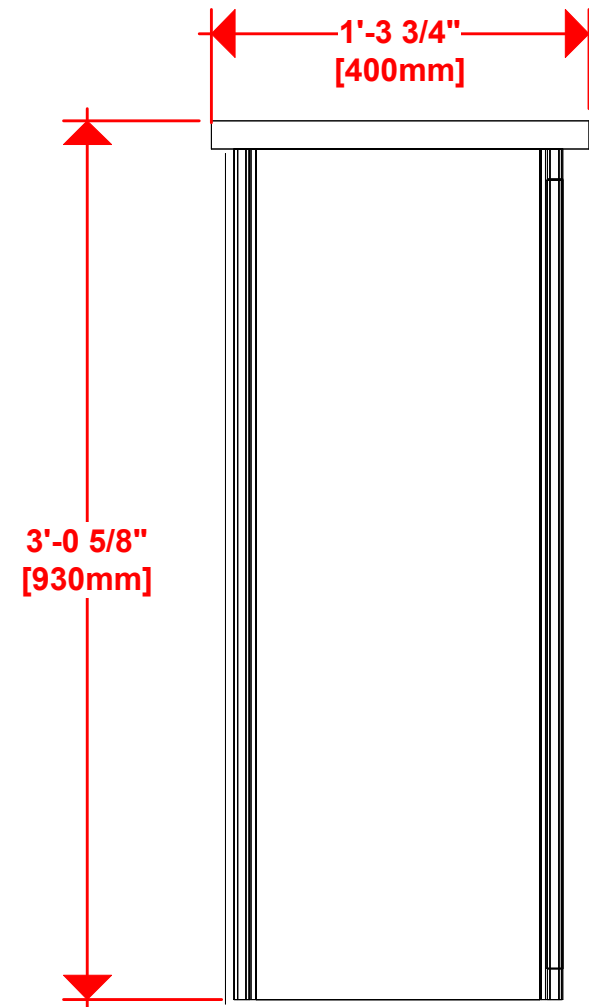
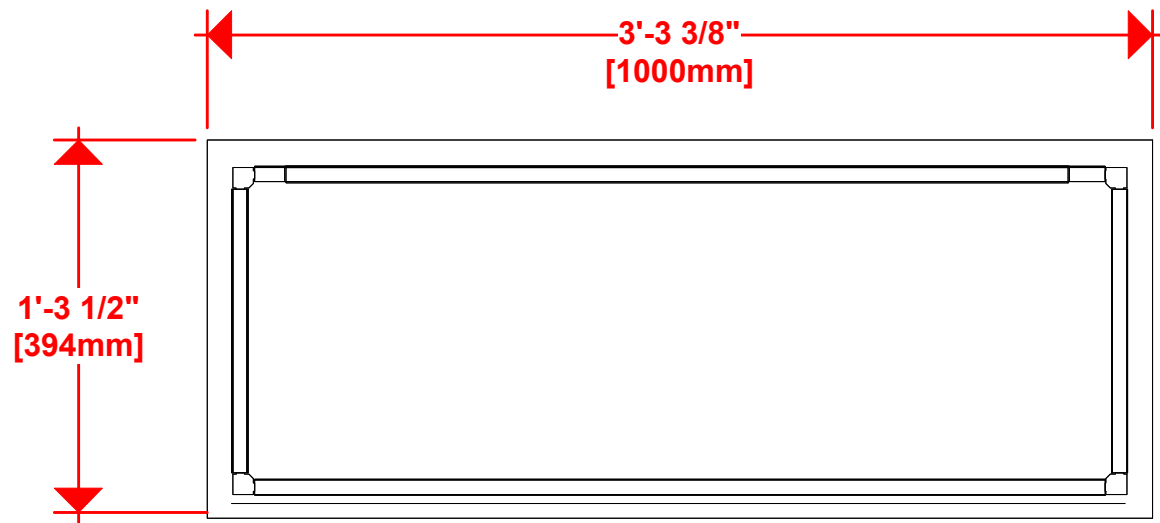


1. Redesign of this exhibit without approval by manufacturer may result in dangerous and unsafe structures. Manufacturer disclaims any responsibility for redesigned exhibits it does not approve in writing.

2. Parts and components such as panels and extrusions are manufactured to metric sizing. Where ever possible sizes have been noted in feet and inches as well as in metric. Below is the imperial to metric sizing table as reference. "Nominal" refers to approximate size.

2400mm = (94 1/2")	☒ Phone Line / Fax
2100mm = (82 5/8")	☒ Internet connection
1800mm = (70 7/8")	☒ Outlet
1500mm = (59")	☒ Main Drop (point of distrution)
1200mm = (47 1/4")	
900mm = (35 1/2")	
600mm = (23 5/8")	
300mm = (11 7/8")	

--- Wire running under carpet



HYBRID PRO RENTAL KIT

Title: SET-UP INSTRUCTIONS

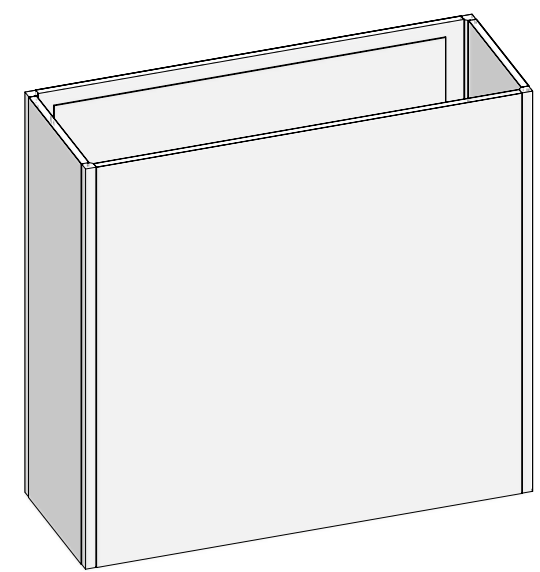
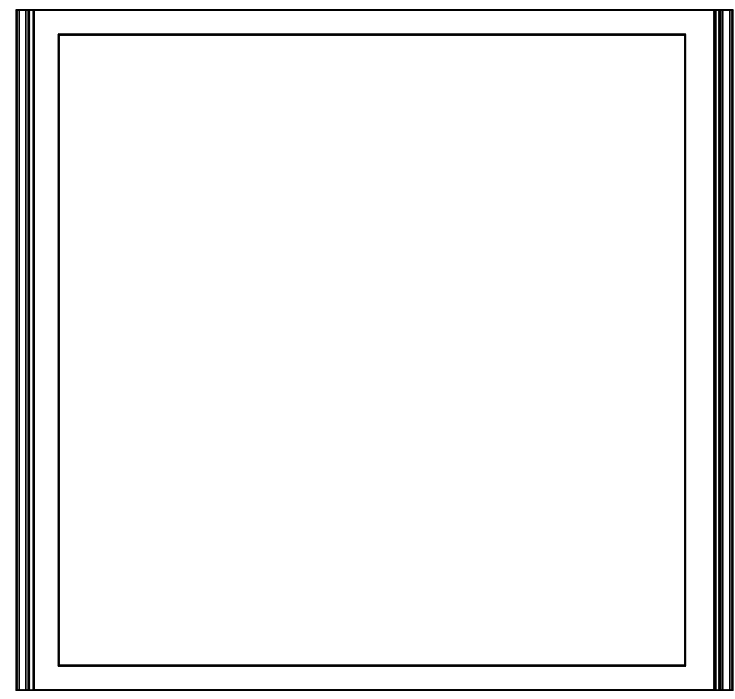
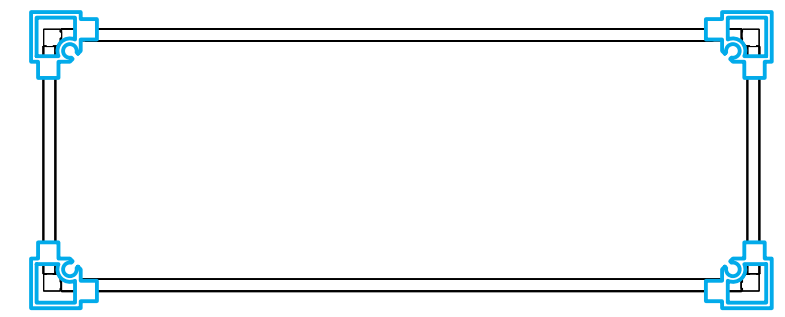
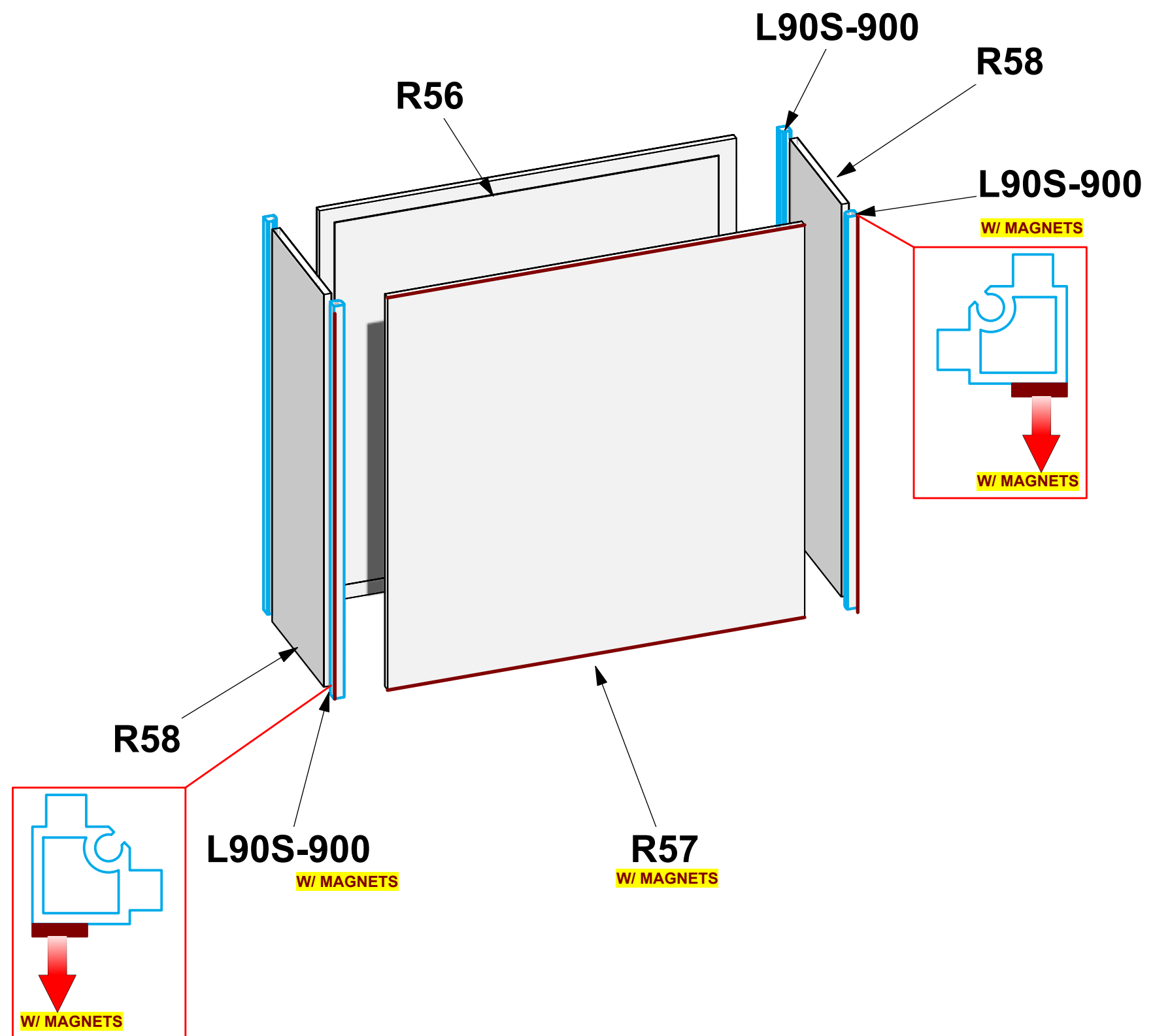
Code	#	Description
R58	2	3 X 1 (900MM X 300MM) LAMINATE PANEL
R57	1	3 X 3 (900MM X 900MM) LAMINATE PANEL
L90S-900	4	900MM (35.43") 90 DEGREE SILVER LINK EXTRUSION 90 DEGREE
R56	1	900MM V x 900MM W LAMINATE CABINET DOOR

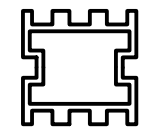
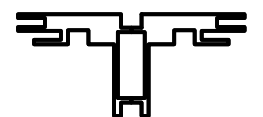
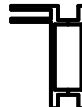


1. Redesign of this exhibit without approval by manufacturer may result in dangerous and unsafe structures. Manufacturer disclaims any responsibility for redesigned exhibits it does not approve in writing.

2. Parts and components such as panels and extrusions are manufactured to metric sizing. Where ever possible sizes have been noted in feet and inches as well as in metric. Below is the imperial to metric sizing table as reference. "Nominal" refers to approximate size.

2400mm = (94 1/2")	Phone Line / Fax
2100mm = (82 5/8")	Internet connection
1800mm = (70 7/8")	Outlet
1500mm = (59")	Main Drop (point of distrution)
1200mm = (47 1/4")	
900mm = (35 1/2")	
600mm = (23 5/8")	
300mm = (11 7/8")	

--- Wire running under carpet

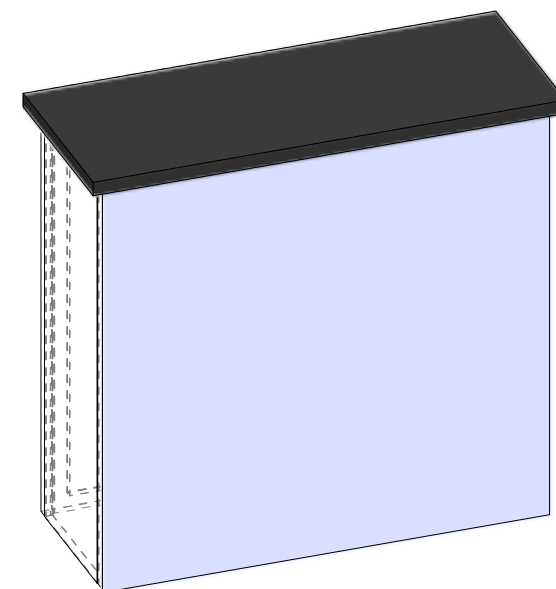
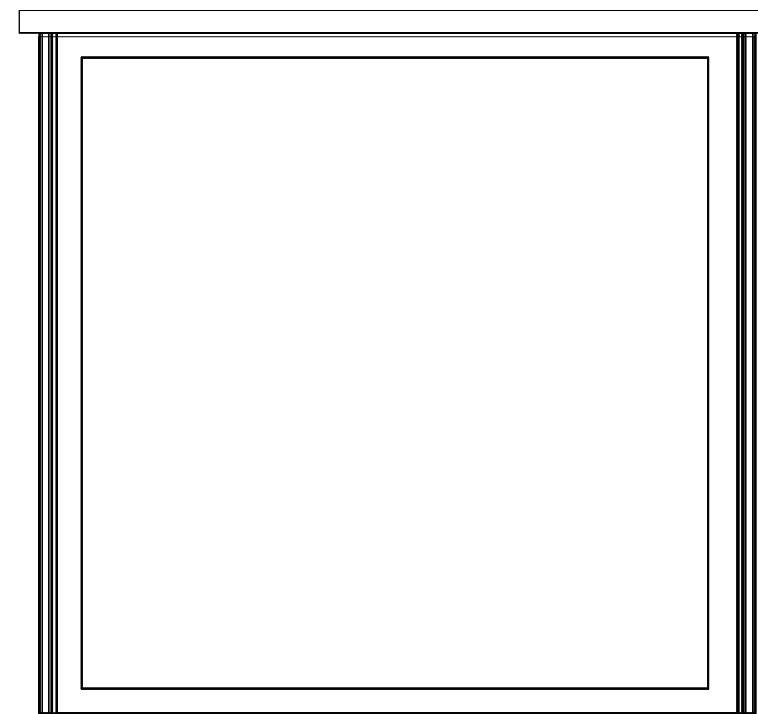
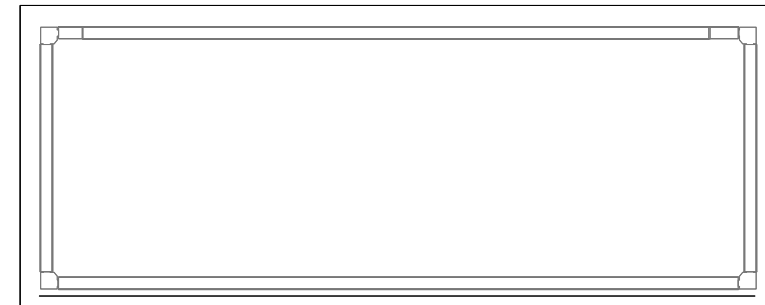
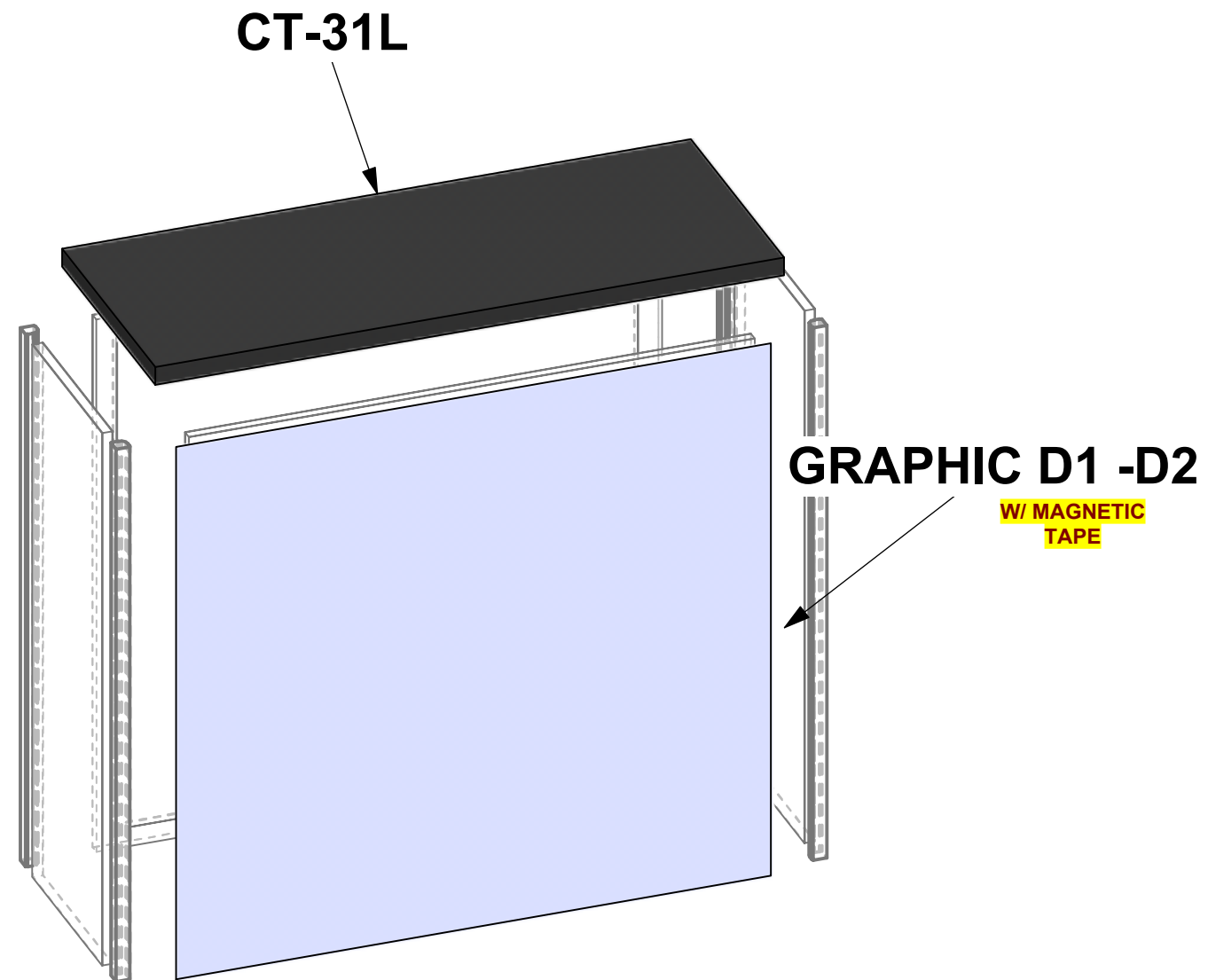


-  PM2S2
-  PHFC4
-  PHFC2
-  PH
-  PH4SC

HYBRID PRO RENTAL KIT

Title: SET-UP INSTRUCTIONS

Code	#	Description
CT-31L	1	3' X 1' LAMINATE COUNTER TOP
GRAPHIC D1 -D2	1	35.18" (H) X 37.25" (W) ROLLABLE DETACHABLE DSG GRAPHIC WITH MAGNET ON BACK PERIMETER

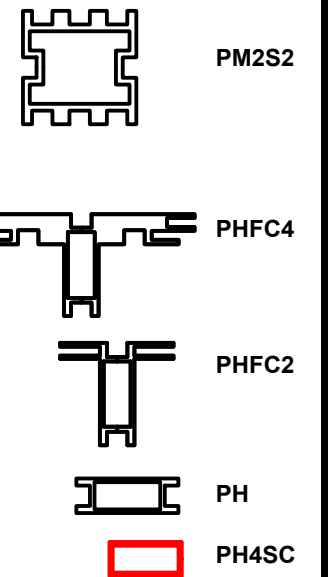


1. Redesign of this exhibit without approval by manufacturer may result in dangerous and unsafe structures. Manufacturer disclaims any responsibility for redesigned exhibits it does not approve in writing.

2. Parts and components such as panels and extrusions are manufactured to metric sizing. Where ever possible sizes have been noted in feet and inches as well as in metric. Below is the imperial to metric sizing table as reference. "Nominal" refers to approximate size.

2400mm = (94 1/2")	Phone Line / Fax
2100mm = (82 5/8")	Internet connection
1800mm = (70 7/8")	Outlet
1500mm = (59")	Main Drop (point of distrution)
1200mm = (47 1/4")	
900mm = (35 1/2")	
600mm = (23 5/8")	
300mm = (11 7/8")	

--- Wire running under carpet



HYBRID PRO RENTAL KIT

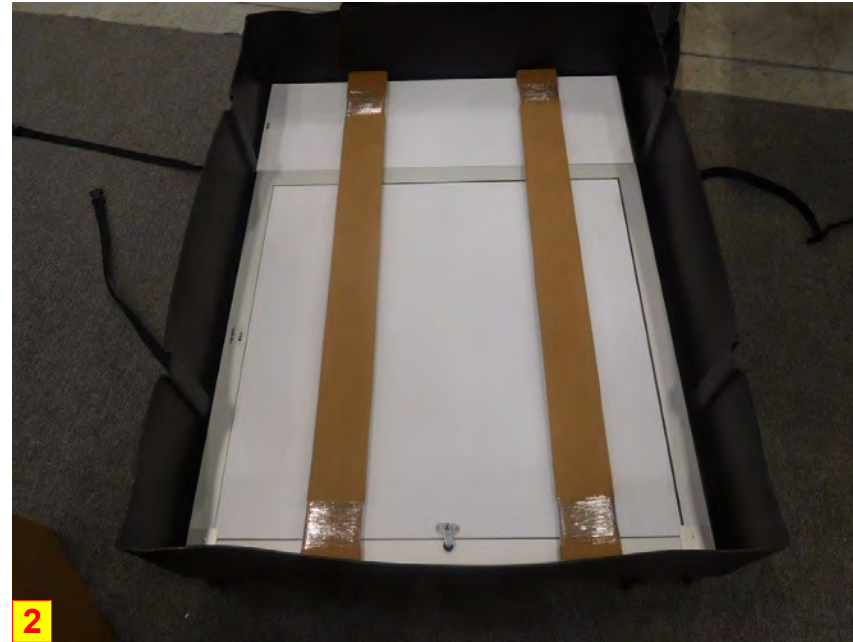
Title: SET-UP INSTRUCTIONS

PACKING INSTRUCTIONS



1

(1) R57, (1) R58



2

(1) R56, (1) R58



5

(1) SET KEY
(1) BOOKLET



3

(1) 33 GRAPHIC



4

CT-31L, (4) L90S-900

CASE # 1

LEGEND	
	GREY FOAM FOLDED TO FILL EMPTY SPACES OR USED AS PROTECTION
	1/8" CARDBOARD SPACER (PUT IN BETWEEN EVERY PANEL)
	DIVIDER
	1/4" WHITE FOAM (USED AS PROTECTION DOOR PANELS W/ LOCKS)

