

Hopup 5ft Backlit Tabletop Display

The Hopup 5ft (2 quad x 2 quad) straight backlit tension fabric display is a state-of-the-art, illuminated collapsible display that is simple, versatile and can be set up in minutes. Backlit Hopup 2x2 creates a dynamic display with vibrant LED lights that are long-lasting. Simply attach lights to the rear diffuser panel, attach the front graphic and you have an eye-catching illuminated display! No tools are required for assembly. A rolling carry bag and protective molded case for storage and transport are included. Option available to purchase frame, lights and case only.



features and benefits:

- Lightweight 5ft wide (2 quad x 2 quad) straight anodized silver frame
- White in-molded hook and loop end caps
- Supports an integrated fabric graphic mural with endcaps
- Rear diffuser graphic panel for single-sided units
- LED lights easily attach to the collapsible frame
- Comes in a molded, wheeled OCX case
- Lifetime hardware warranty against manufacturer defects on frame
- Lights have a one year limited warranty

dimensions:

Hardware

Assembled unit:
60.5" w x 60.5" h x 12" d
1537mm(w) x 1537mm(h) x 305mm(d)

Approximate weight:
31 lbs / 15 kg

Graphic

Refer to related graphic template for more information.

One year warranty.

Visit: www.tradeshowplus.com

Shipping

Packing case(s):
1 OCX

Shipping dimensions:
40" l x 27" h x 18" d
1016mm(l) x 686mm(h) x 458mm(d)

Approximate total shipping weight:
63 lbs / 29 kg

additional information:

Always unplug the two female connectors from the power supply when raising the frame up or down.

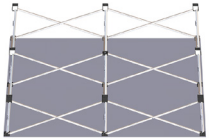
We are continually improving and modifying our product range and reserve the right to vary the specifications without prior notice. All dimensions and weights quoted are approximate and we accept no responsibility for variance. E&OE. See Graphic Templates for graphic bleed specifications.

Kit Assembly

Step by Step

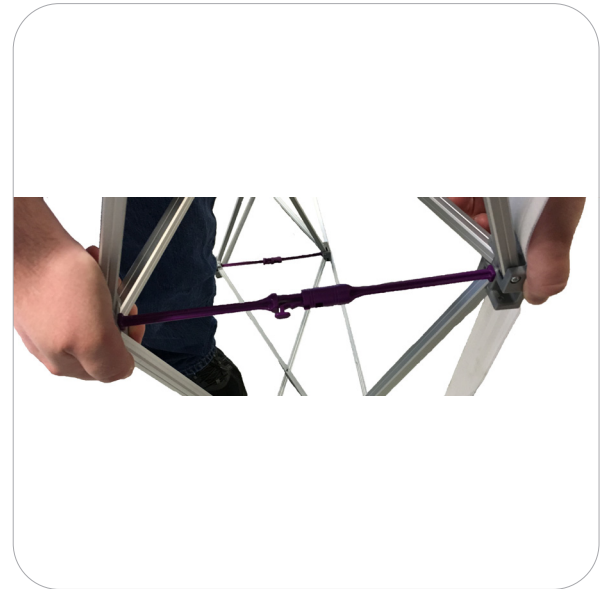
Step 1.

Unpack the frame from the bag. Stand with backer side toward the floor. Stretch out the frame so it lays flat on the floor.



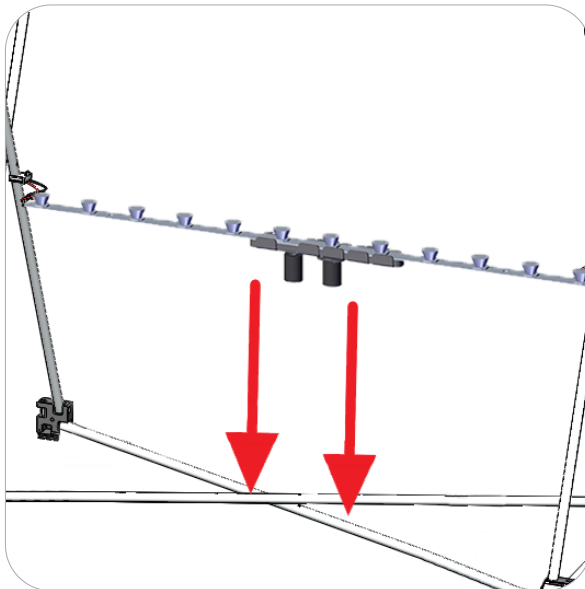
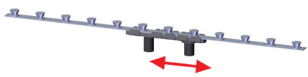
Step 2.

Lock the connecting arms into place. Stand the frame upright once all the connectors are securely snapped in the lock position.



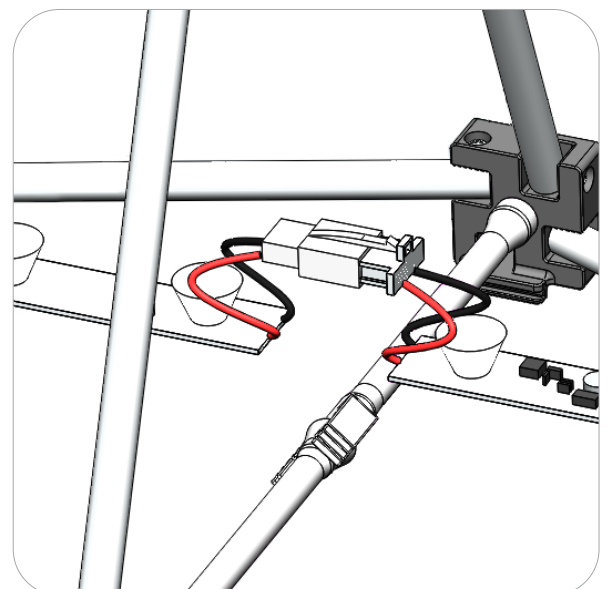
Step 3.

Gather all the lighting strips and align so they are over each "X" of the frame, then pull the spring-loaded clip apart to fit onto the "X". Make sure the orientation of the male and female connectors allows for linking them together.



Step 4.

Connect the light strips in series for both top and bottom sides.

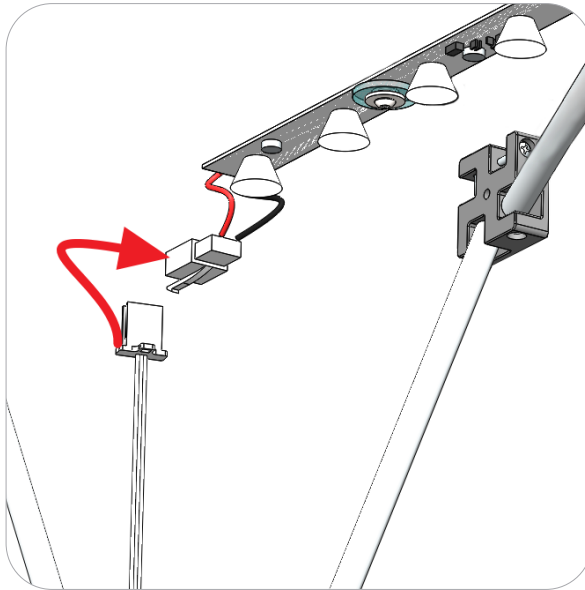


Kit Assembly

Step by Step

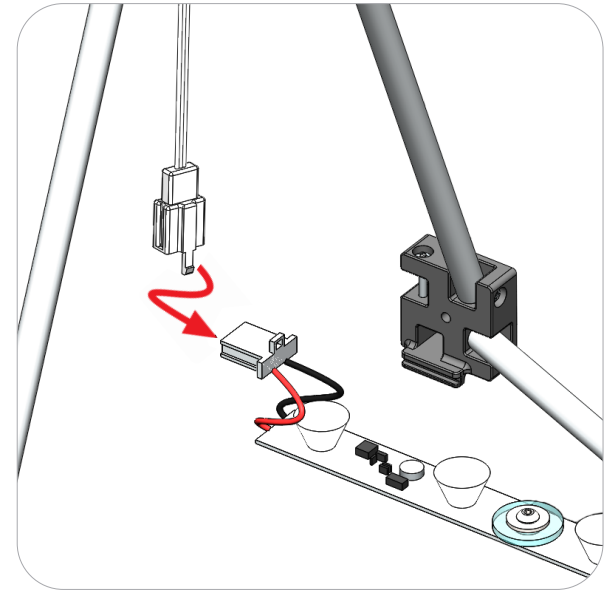
Step 5.

Connect the long extension cord to the female end of the top light strips in series. Run the long extension cord down the side.



Step 6.

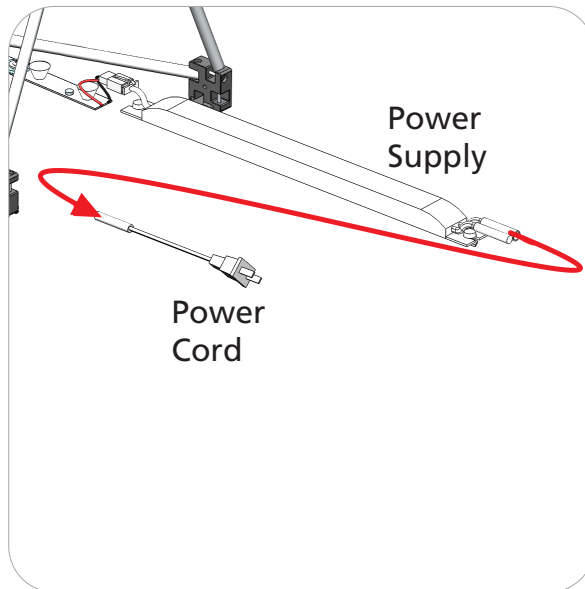
First, attach the extension cord from the top row of lights to bottom row of lights.



Step 7.

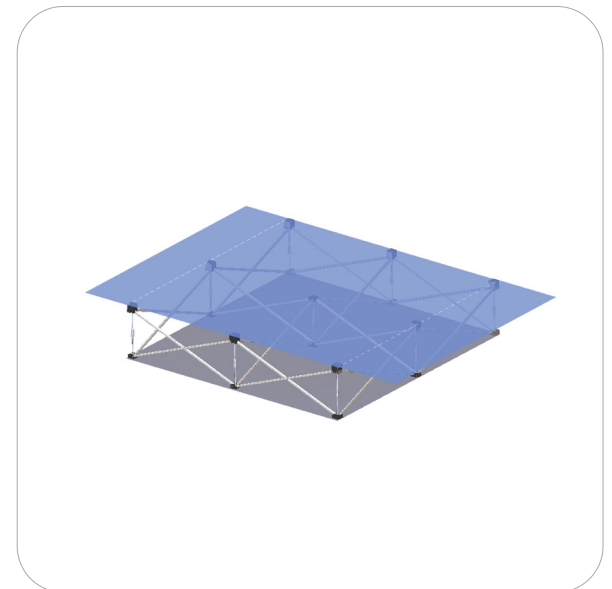
Attach the light strip to the power supply. Then, attach the power cord to the power supply.

Plug in the power cord for test lighting.



Step 8.

Once the lights are all set, it is important to disconnect the power to the lights before applying the graphic. Lay the frame back down on the floor. Apply the graphic to the frame, the endcaps do not have to be immediately applied.



Kit Assembly

Step by Step

Step 9.

Stand the unit back to the upright position. Power On the lights and verify that they all work. Apply the end caps by wrapping them to the back side and velcro them closed.

Setup Complete.

