

Formulate Tablet Kiosk - 04

Sleekly-designed free standing ipad stands and kiosks make it easy to encourage interactivity, present information and engage your customers in any space.



features and benefits:

- State-of-the-art 50mm aluminum tube frame with sturdy internal spigot assembly
- Easy to store and ship
- Quick to set up
- Kit includes: one frame, one dye-sublimated pillowcase graphic, tablet holder, and one wheeled molded OCH storage case
- Lifetime hardware warranty against manufacturer defects

dimensions:

Hardware	Graphic
<p>Assembled unit: 26.26" w x 46.26" h x 22.64" d 666.97mm(w) x 1175mm(h) x 575mm(d)</p> <p>Approximate weight with cases: 24 lbs / 10.9 kgs</p>	<p>Refer to related graphic template for more information.</p> <p>Visit: www.tradeshowplus.com</p>
Shipping	
<p>Packing case(s): OCH Case</p> <p>Shipping dimensions: OCH: 50" l x 29" w x 12" h 1270mm(l) x 737mm(w) x 305mm(h)</p> <p>Approximate total shipping weight (includes cases & graphics): 53 lbs / 24.1 kgs</p>	
additional information:	
<p>Graphic material: dye-sublimation zipper pillowcase fabric</p> <p>Tablet not included</p> <p>*Tablet holder compatible with 2nd, 3rd, 4th gen & Air iPad only.</p>	

We are continually improving and modifying our product range and reserve the right to vary the specifications without prior notice. All dimensions and weights quoted are approximate and we accept no responsibility for variance. E&OE. See Graphic Templates for graphic bleed specifications.

Included In Your Kit

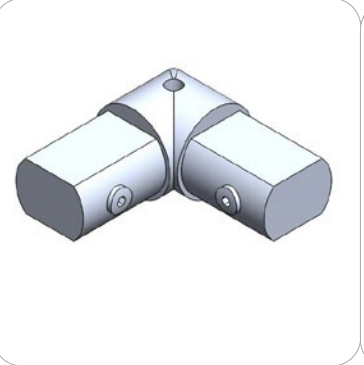
Tools, Components, & Connectors



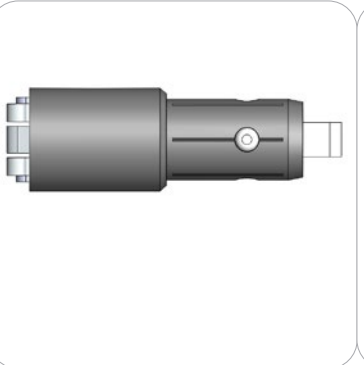
ALLEN KEY SET x1



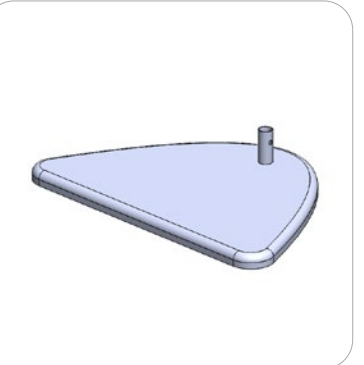
ES30 x2



ES50-2W x4



TC-30-L x1

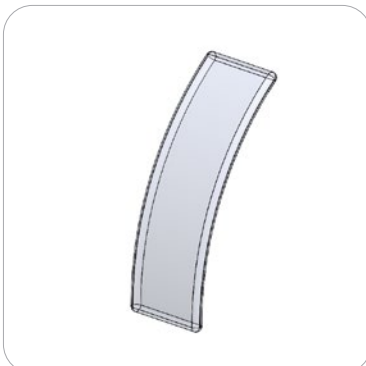


BASE-TABLET-STD-04 x1



TABLET-HOLDER x1

Graphics



FMLT-TABLET-STD-04-G x1

Included In Your Kit

Tubes



TABLET-STD-04-T1 x1



TABLET-STD-04-T2 x1



TABLET-STD-04-T3 x2



TABLET-STD-04-T4 x1

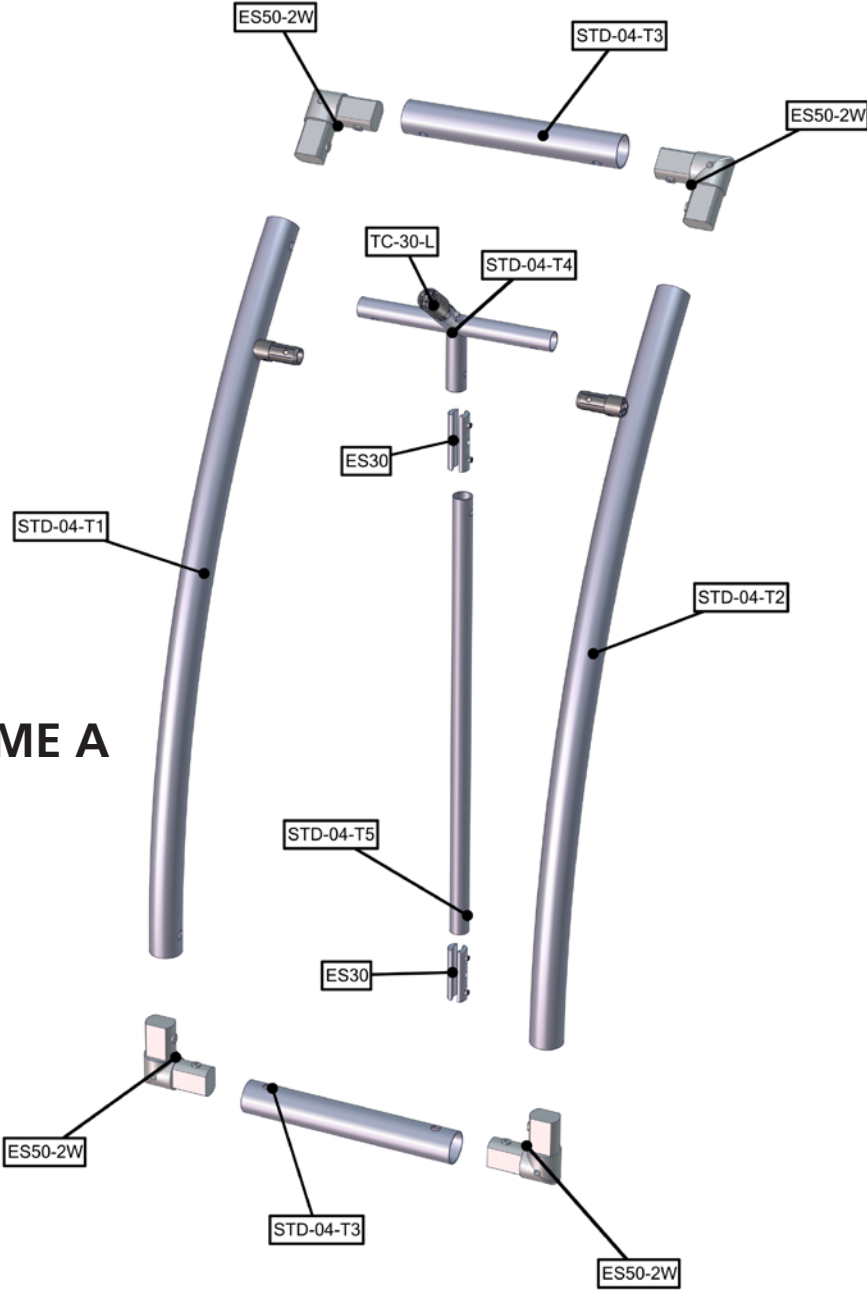


TABLET-STD-04-T5 x1

Exploded View

TABLET-STD-04

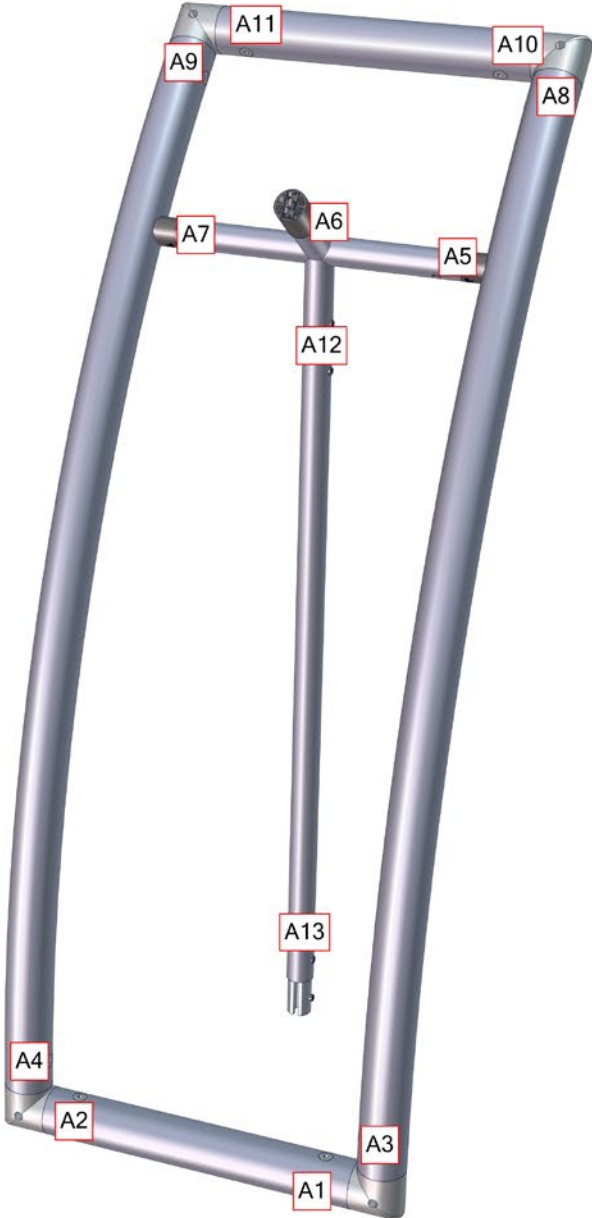
FRAME A



Labeling Diagram

TABLET-STD-04

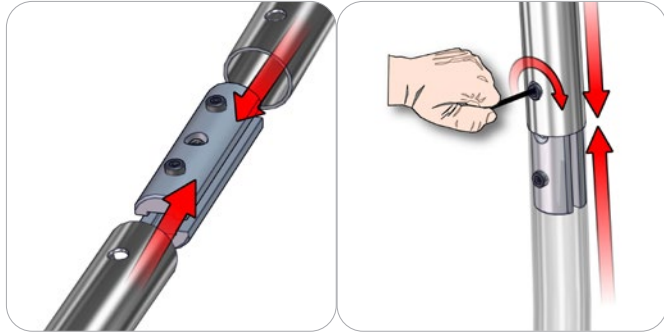
FRAME A



Connection Methods

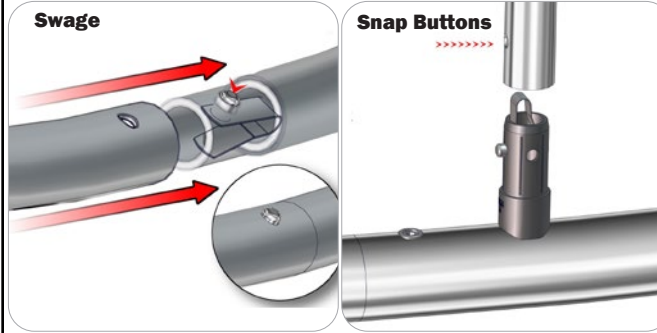
Formulate™ structures use a number of different yet simple connection methods. Your kit will include one or more of the connection methods shown below. Steps within the Kit Assembly will reference a specific method for each connection point.

Connection Method 1: ES30 / ES50 / ES75



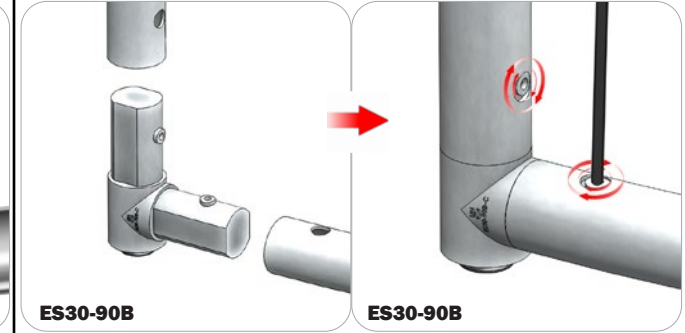
Compress the unlocked connector and slide one tube onto each end. Lock both screws carefully using your allen key tool. Be sure to lock securely, but do not overtighten.

Connection Method 2: Snap Buttons & Swage



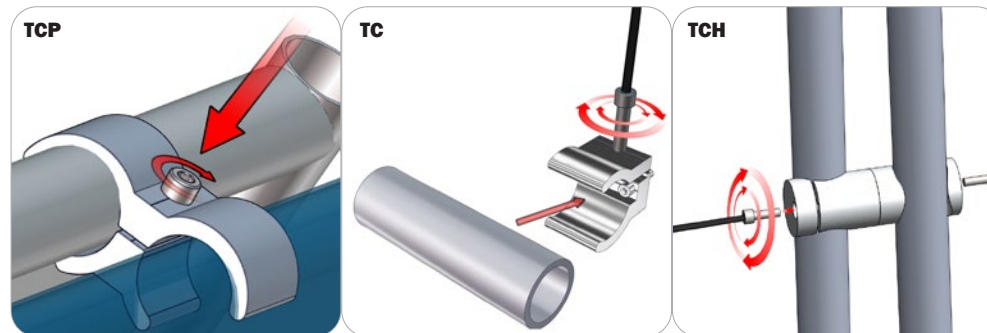
Locate the snap button on the connector or swage tube. Locate the hole on the corresponding tube. Press the snap button with your thumb and slide the tube and connector together so that the snap button snaps fully into the lock hole. To disassemble, press the snap button and pull apart.

Connection Method 3: ES30-90B / ES30-I / ES30-C



Compress one unlocked end of the connector and slide it through one tube end. Compress the other end of the connector and slide the second tube on. Lock both screws carefully using your allen key tool. Be sure to lock securely, but do not overtighten.

Connection Method 4: Tube Clamps



Be sure to fully assemble all frames before using clamps. With the clamp unlocked, place one tube of the first frame into the mouth of the clamp. Place the second tube (if applicable) into the second mouth of the clamp. With both frame's tubes in the clamp, be sure to lock securely, but do not overtighten.

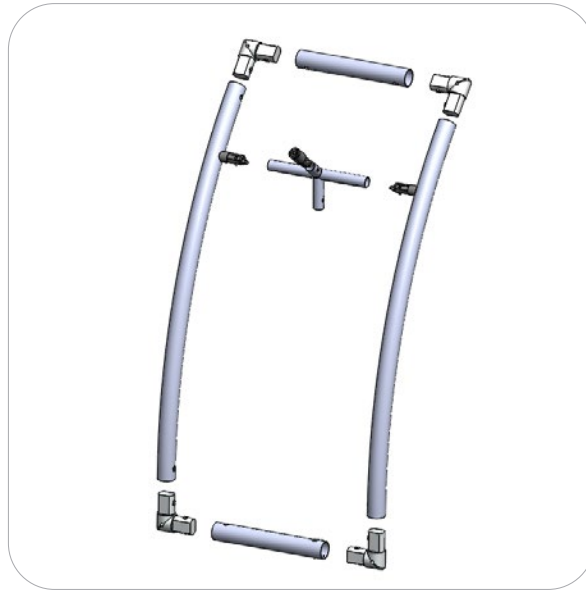
Kit Assembly

Step by Step

Step 1.

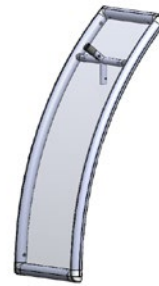
Gather the components necessary to assemble your stand. We will add FMLT-STD-04-T5 in a later step. Assemble your frame.

Please reference Connection Methods 1, 2, and 3 for more details.



Step 2.

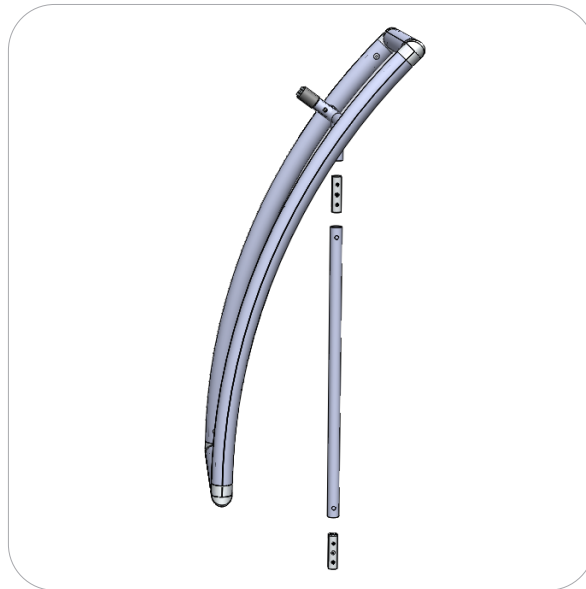
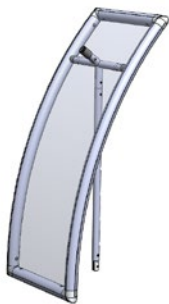
Locate your FMLT-STD-04-G fabric pillowcase graphic. Pull the pillowcase over the bottom of the frame and allow protruding tubes and components to stick through the graphics precut holes.



Step 3.

Locate your ES30 connectors and FMLT-STD-04-T5 and connect them to the back of your stand as shown in the image right.

Please reference Connection Method 1 for more details.

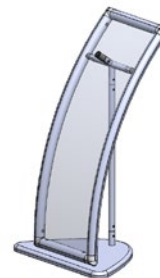


Step 4.

Locate your BASE-TABLET-STD-04. Lock your frame into the tube protruding from the base.

Please reference Connection Method 1 for more details.

Setup Complete



Kit Assembly

Step by Step

Step 5.

Attach your Tablet Holder.

