

Formulate:

Accent 02

Total Graphic Area: 22" w X 18.5" h

Total Finished Area: 21" w X 17.5" h

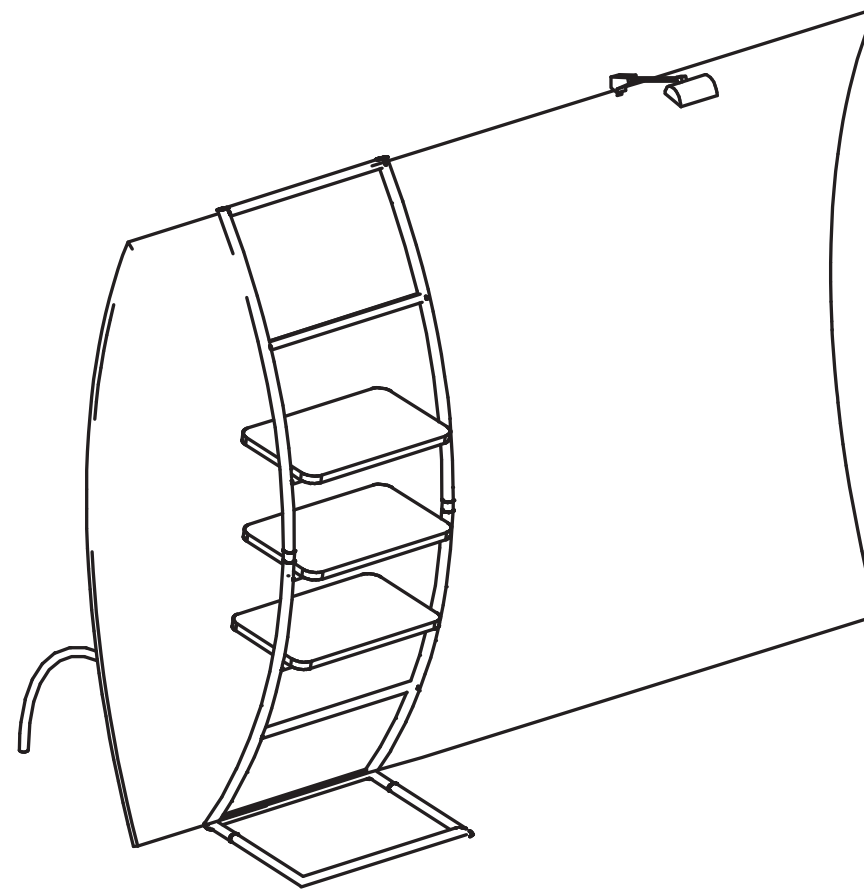
Total Visual Area: 21" w X 17" h

Use separate template for formulate backwall graphic. This template only represents the accent graphics.

Please be sure to include the 1/2" bleed around the perimeter.

General Art Guidelines:

- CMYK Color Mode
- All Solid Coated Pantone colors should be called out in the art as spot colors
- Embed all images and support files
- Resolution must be 100-120 ppi
- All fonts must be created to outlines
- Do not scale artboard
- Background color/images must bleed to the edge of artboard
- Do not use spot colors from template in your artwork as they will not print



TOP

BOTTOM

bleed area



trim line

