

Formulate Pillar Counter

Formulate® counters couple lightweight hardware with printed stretch silicone edge fabric graphics (SEG) to create funky and functional reception stands. Tables and bases are available in four colored finishes – silver, black, mahogany and natural. Custom sizes also available.



We are continually improving and modifying our product range and reserve the right to vary the specifications without prior notice. All dimensions and weights quoted are approximate and we accept no responsibility for variance. E&OE. See Graphic Templates for graphic bleed specifications.

features and benefits:

- Printed stretch silicone edge fabric graphics (SEG) for a custom look
- Counter supports 25 lbs. of weight on center
- Choice of four finishes for table and base
- Kit includes: frame, dye-sublimated fabric graphic, top and base, and wheeled molded OCH2 storage case
- Lifetime hardware warranty against manufacturer defects

dimensions:

Hardware	Graphic
<p>Assembled unit: 31.5" w x 38" h x 15.75" d 800mm(w) x 970mm(h) x 400mm(d)</p> <p>Approximate kit weight (includes graphic): 28 lbs / 13 kgs</p>	<p>Refer to related graphic template for more information.</p> <p>Visit: www.tradeshowplus.com</p>
<p>Shipping</p> <p>1 OCH2</p> <p>Shipping dimensions: 50" l x 30" h x 15" d 1270mm(l) x 762mm(h) x 381mm(d)</p> <p>Approximate shipping weight: (kit and case) 58 lbs / 27 kgs</p>	

additional information:

Graphic material:
Dye-sublimated fabric

Top/Base finishes:



1 person assembly recommended:



Included In Your Kit

Tools, Components, & Connectors



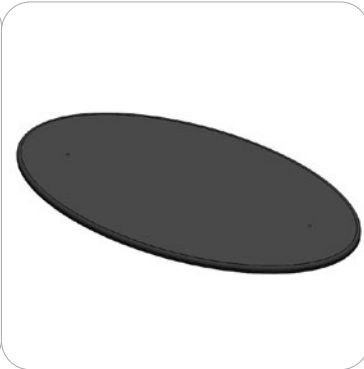
ALLEN KEY SET x1



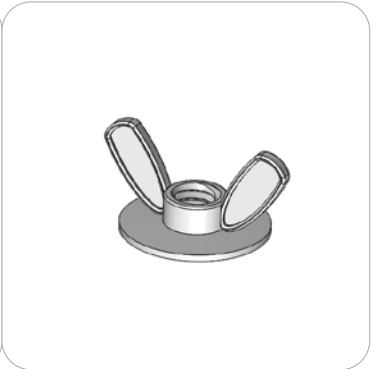
TRI30-COUNTER x1



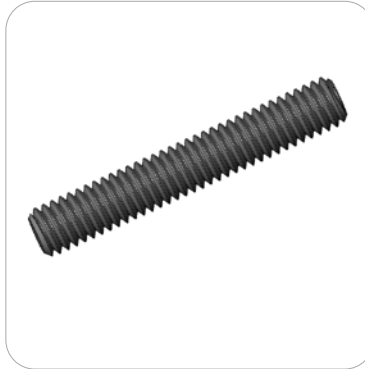
W-01-C-TOP x1



W-01-C-BASE x1



Wing Nut x6



1.25" Stud x3



2" Stud x3

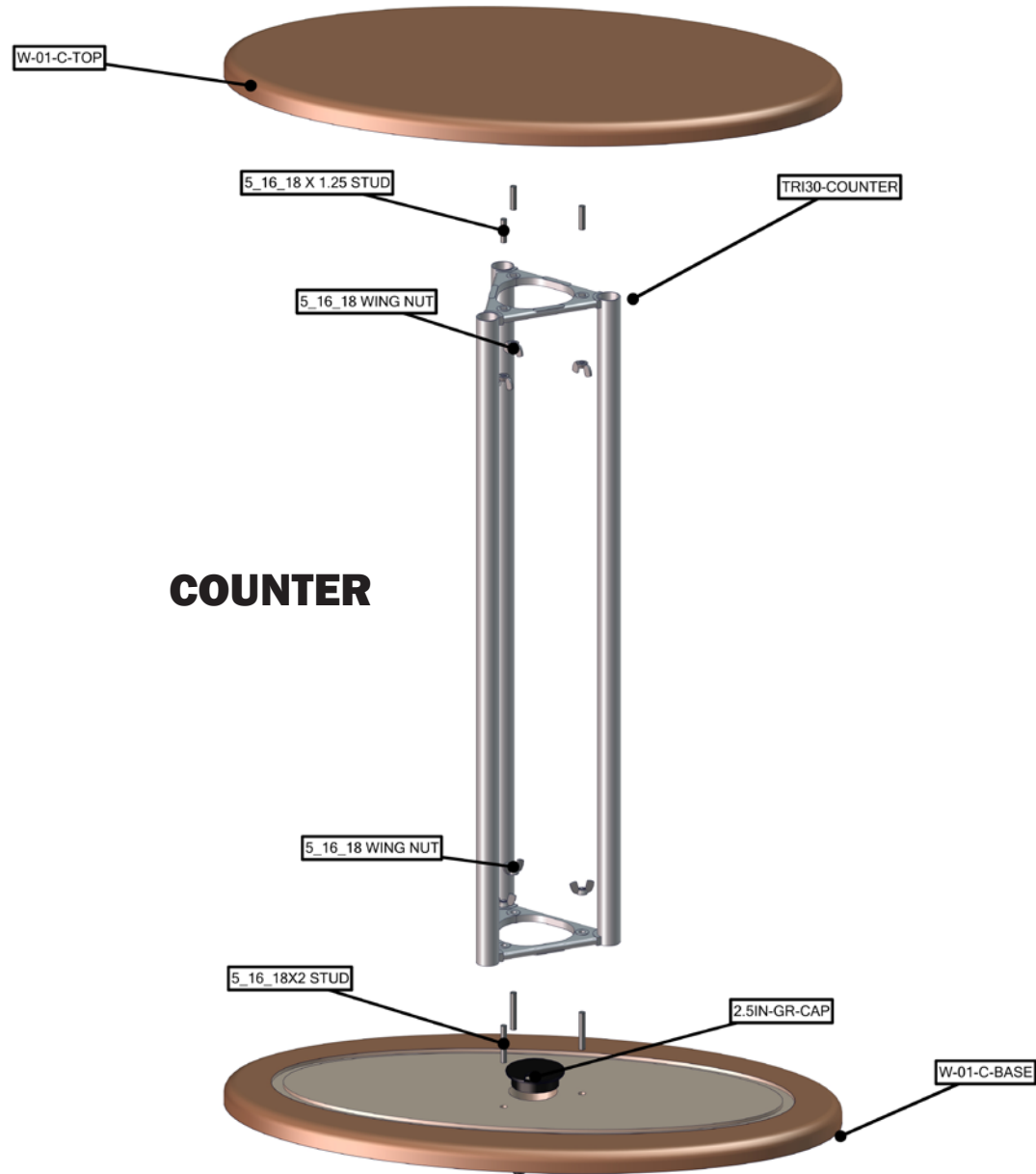
Graphics



W-01-C-FAB1 x1

Exploded View

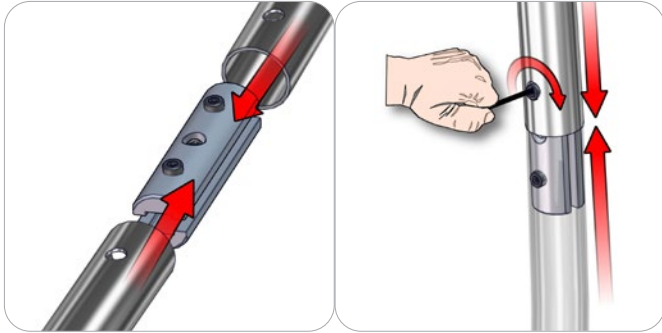
W-01-C



Connection Methods

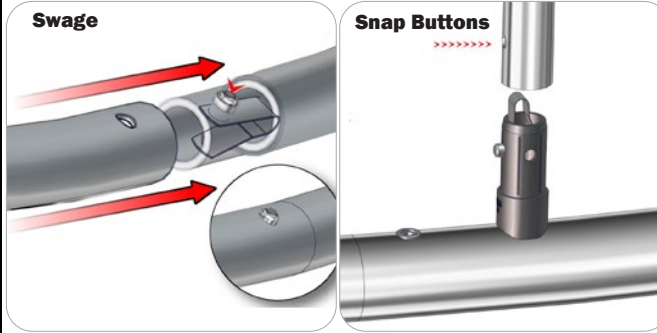
Formulate® structures use a number of different yet simple connection methods. Your kit will include one or more of the connection methods shown below. Steps within the Kit Assembly will reference a specific method for each connection point.

Connection Method 1: ES30 / ES50 / ES75



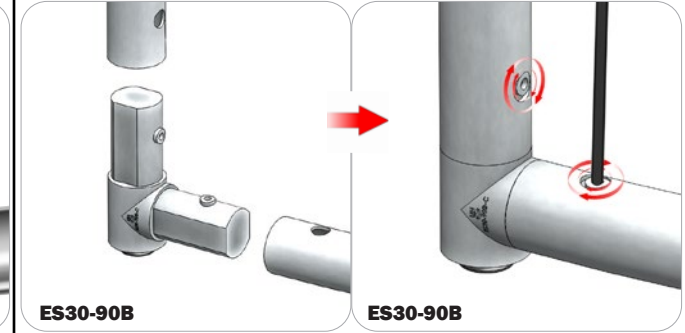
Compress the unlocked connector and slide one tube onto each end. Lock both screws carefully using your allen key tool. Be sure to lock securely, but do not overtighten.

Connection Method 2: Snap Buttons & Swage



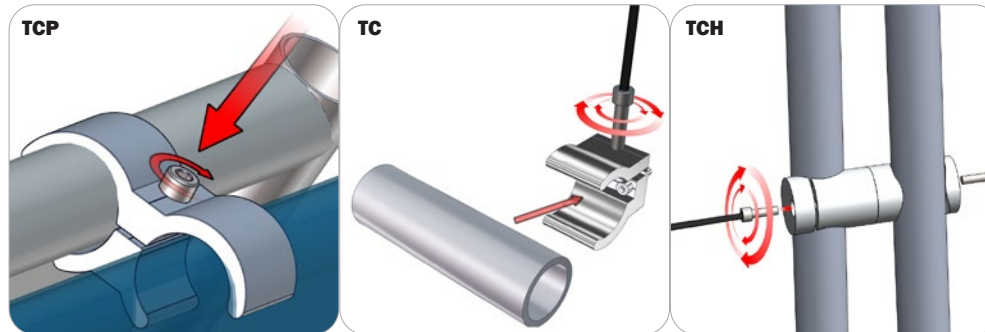
Locate the snap button on the connector or swage tube. Locate the hole on the corresponding tube. Press the snap button with your thumb and slide the tube and connector together so that the snap button snaps fully into the lock hole. To disassemble, press the snap button and pull apart.

Connection Method 3: ES30-90B / ES30-I / ES30-C



Compress one unlocked end of the connector and slide it through one tube end. Compress the other end of the connector and slide the second tube on. Lock both screws carefully using your allen key tool. Be sure to lock securely, but do not overtighten.

Connection Method 4: Tube Clamps



Be sure to fully assemble all frames before using clamps. With the clamp unlocked, place one tube of the first frame into the mouth of the clamp. Place the second tube (if applicable) into the second mouth of the clamp. With both frame's tubes in the clamp, be sure to lock securely, but do not overtighten.

Kit Assembly

Step by Step

Step 1.

Begin by threading your 2" studs through the holes of the base. Attach your TRI30-COUNTER support beam and secure using (3) wingnuts.



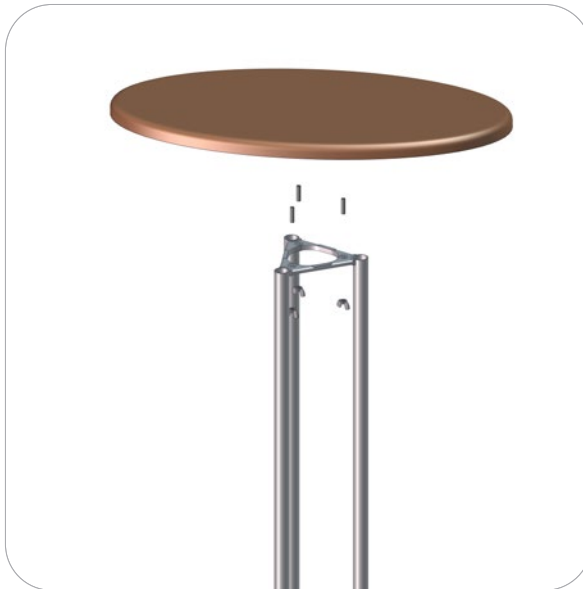
Step 2.

Pull your graphic over TRI30-COUNTER beam and push the edges into the seams of the base.



Step 3.

Thread the 1.25" studs into the counter top. Align the counter top so that the studs fall through the holes of the TRI30-COUNTER beam. Secure the counter top using the remaining (3) wingnuts.



Push the top edges of the graphic into the seams of the counter top to complete your assembly.

Setup Complete.

