

# Formulate Fusion 20x20 Island Kit 09

Formulate Fusion provides an unparalleled dynamic that elevates and accentuates a message and brand, but also maximizes the return on trade show investment. Formulate Fusion is Origin's collection of 20ft x 20ft exhibit kits and custom solutions. A fusion of FORM, FABRIC and FUNCTION, these kits combine organic and architectural shapes with state-of-the-art zipper pillowcase dye-sublimated fabric graphics to create unique, dynamic and functional island space.



## features and benefits:

- Aluminum tube frame
- Kit includes frame, dye-sublimated graphics
- (2) wood counter cabinets
- Lifetime hardware warranty against manufacturer defects

## dimensions:

### Hardware

Assembled unit:  
227.25" w x 168" h x 216.5" d  
5772mm(w) x 4267mm(h) x 5500mm(d)

Approximate weight with cases:  
1068 lbs / 484 kgs

### Shipping

Packing case(s):  
1 WOODCRATE-V  
1 HALF-WOODCRATE

Shipping dimensions:  
WOODCRATE-V:  
101.4" l x 48" w x 43.5" h  
2576mm(l) x 1219mm(w) x 1105mm(h)

HALF-WOODCRATE:  
100.75" l x 52.75" w x 31" h  
2559mm(l) x 1340mm(w) x 787mm(h)

Approximate total shipping weight  
(includes cases & graphics):  
1156 lbs / 524 kgs

### Graphic

Refer to related graphic template for more information.

Visit:  
[www.tradeshowplus.com](http://www.tradeshowplus.com)

## additional information:

Graphic material:  
dye-sublimation zipper pillowcase fabric

### Wood Finish Options



silver

black

mahogany

natural

We are continually improving and modifying our product range and reserve the right to vary the specifications without prior notice. All dimensions and weights quoted are approximate and we accept no responsibility for variance. E&OE. See Graphic Templates for graphic bleed specifications.

# Included In Your Kit

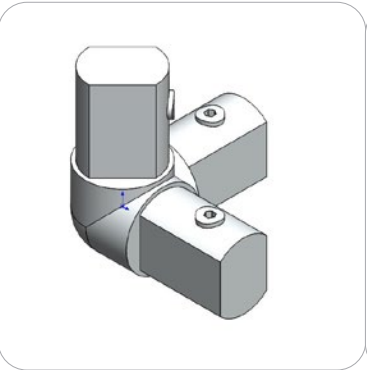
Tools, Components, Connectors, & Extrusions



ALLEN KEY SET x1



ES50 x63



ES50-3W x8



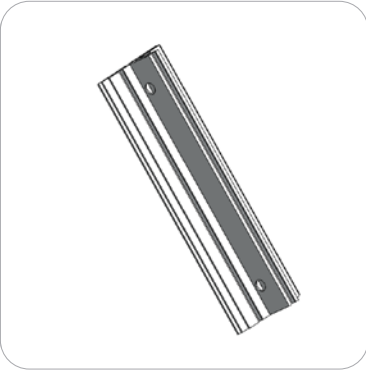
PMFC4-90-2329-A165-A165 x8



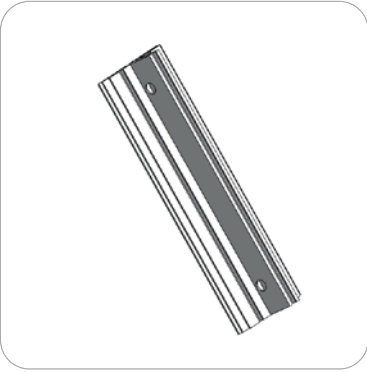
PMFC4-90-893-A165-A165 x8



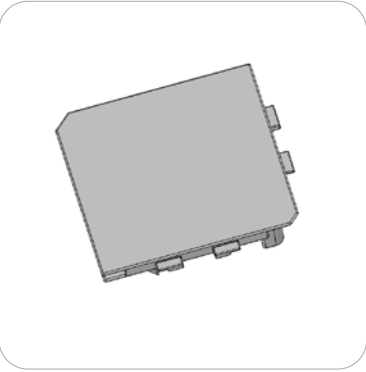
PM4D-300-TG x8



PHFC4-300-L-L x8



PHFC4-1300-L-L x8



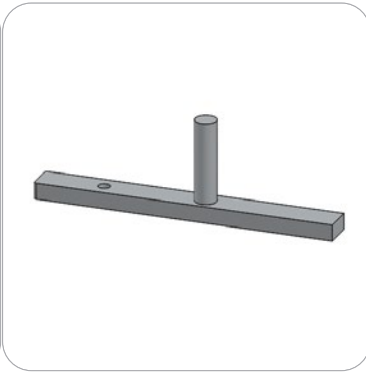
PMFC4-90-CAP x16



PH1-300-S-S x8



PH1-1300-S-S x8



DTC BRACKETS x4



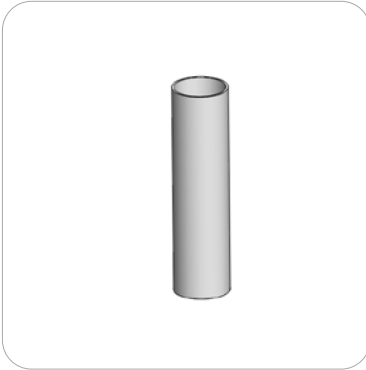
THUMBSCREW 8-32x1/2" x2



1/2-20 WINGNUT x4

# Included In Your Kit

Tubes



CFAB-K-09-T1 x4



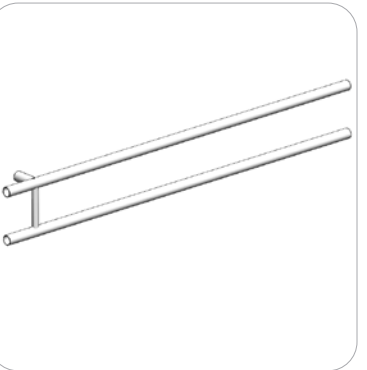
CFAB-K-09-T2 x2



CFAB-K-09-T3 x4



CFAB-K-09-T4 x2



CFAB-K-09-T5 x1



CFAB-K-09-T6 x1



CFAB-K-09-T7 x2



CFAB-K-09-T8 x2



CFAB-K-09-T9 x2



CFAB-K-09-T10 x6



CFAB-K-09-T11 x6



CFAB-K-09-T12 x2



CFAB-K-09-T13 x2



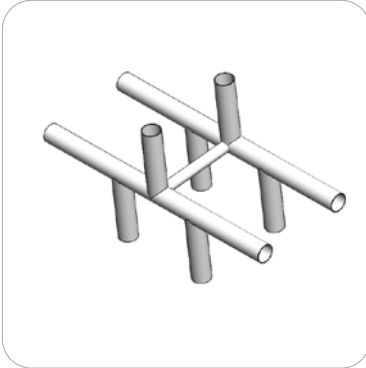
CFAB-K-09-T14 x2



CFAB-K-09-T15 x2

# Included In Your Kit

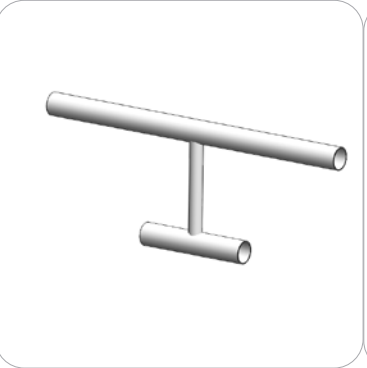
Tubes



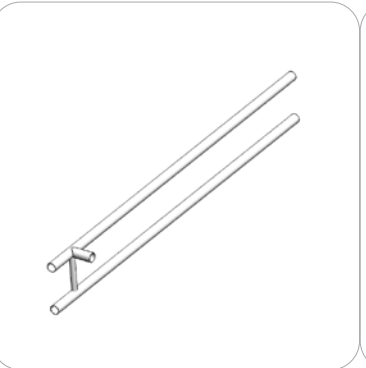
CFAB-K-09-T16 x1



CFAB-K-09-T17 x1



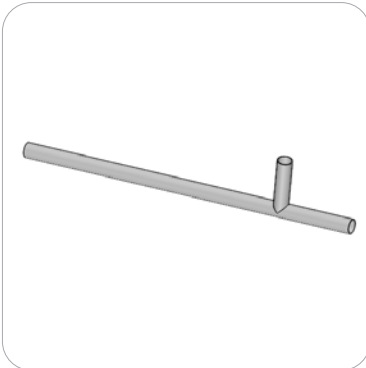
CFAB-K-09-T18 x1



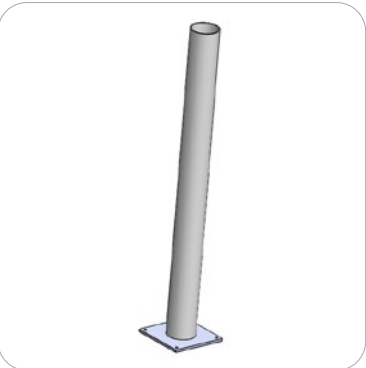
CFAB-K-09-T19 x1



CFAB-K-09-T20 x1

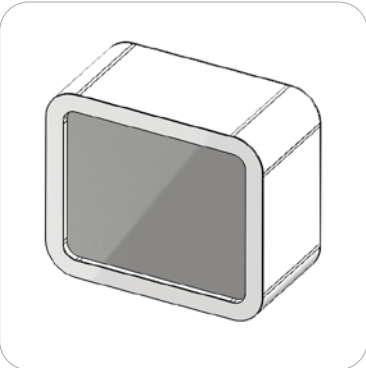


CFAB-K-09-T21 x2

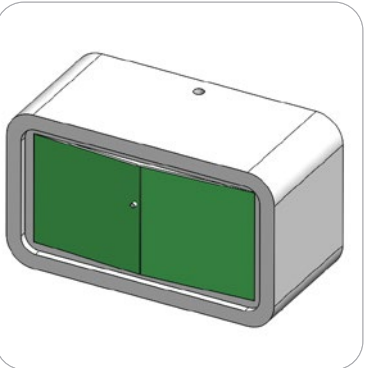


CFAB-K-09-T22 x2

Counters

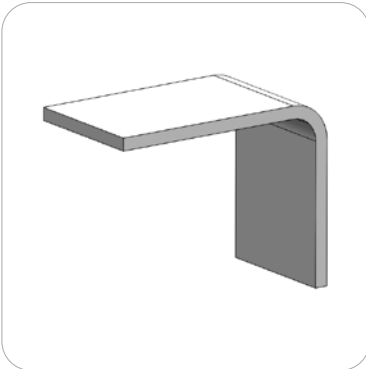


REC-42 x1

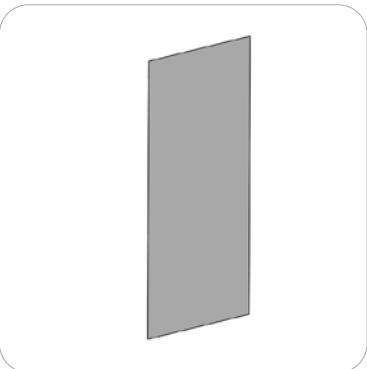


REC-53 x1

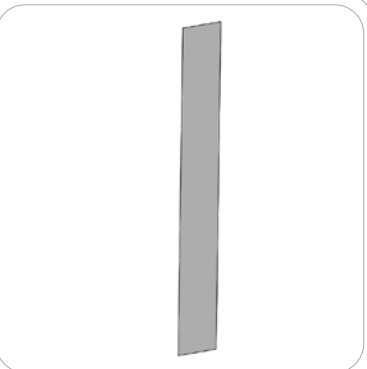
Graphics



CFAB-K-09-A-G x1



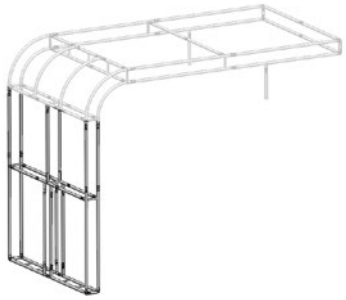
CFAB-K-09-B-G x4



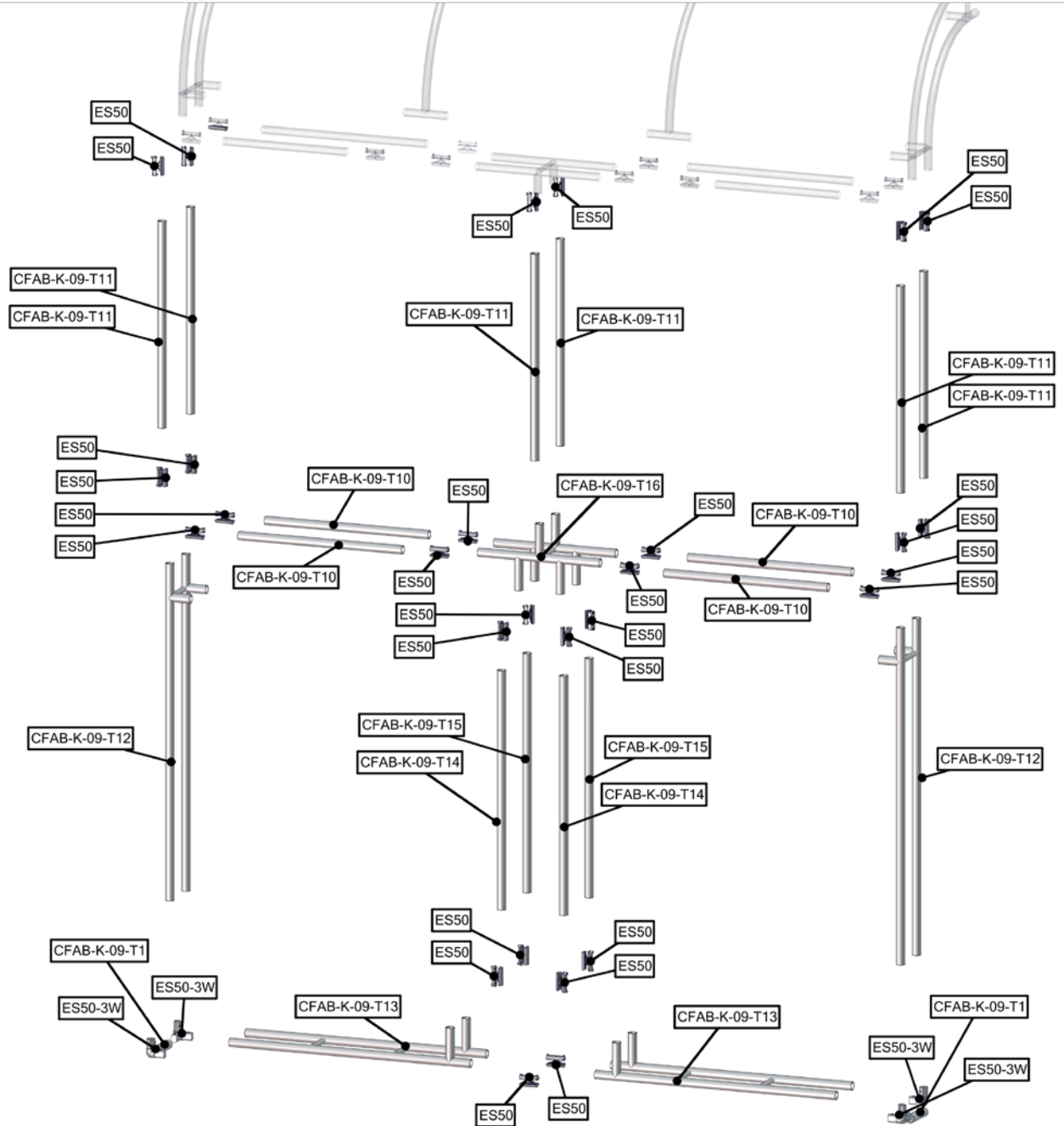
CFAB-K-09-C-G x4

# Exploded View

CFAB-K-09

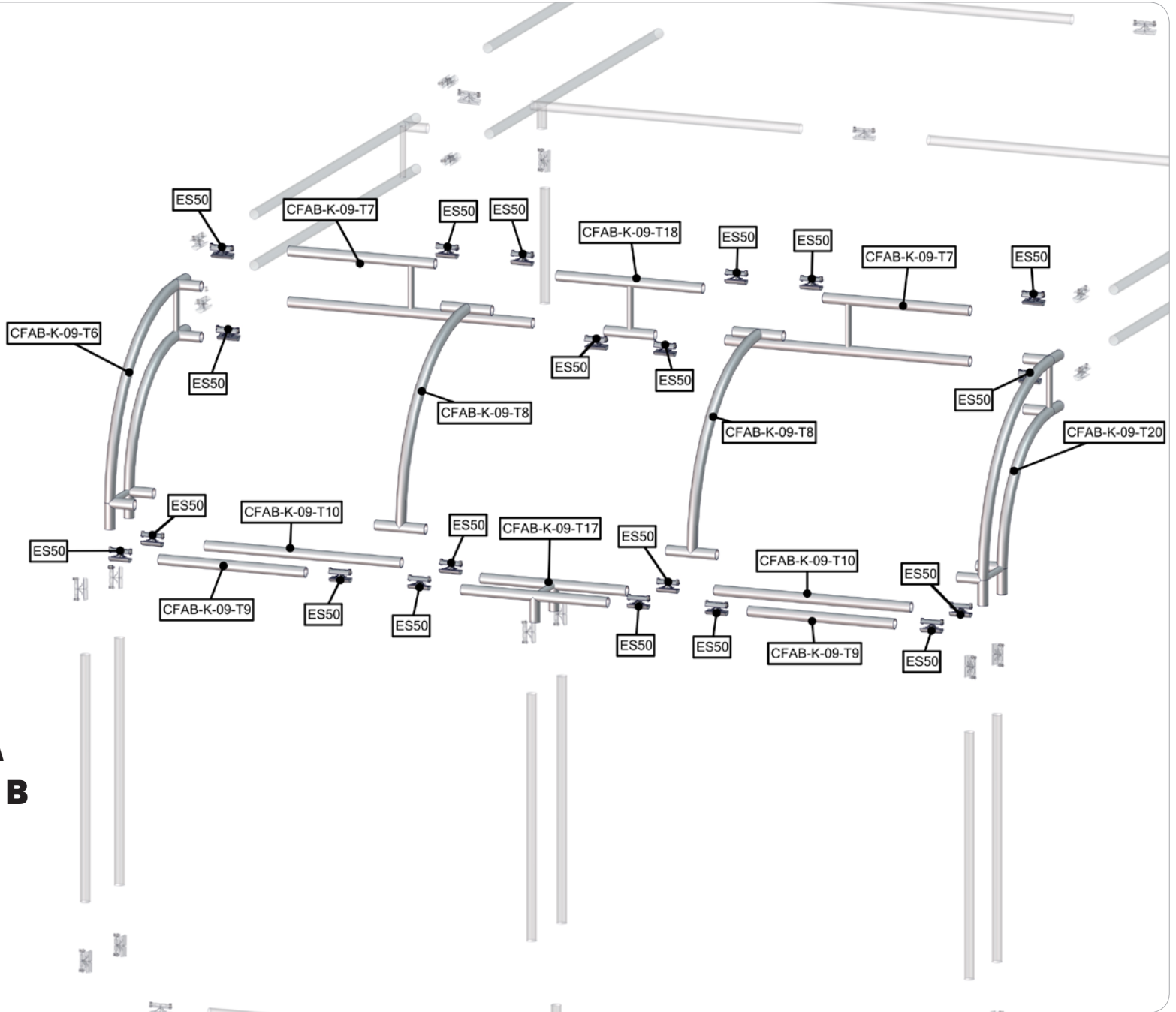
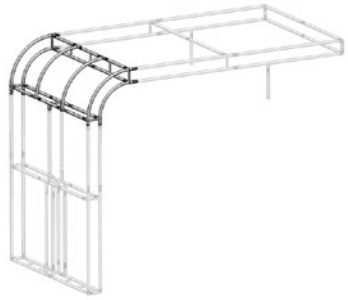


## FRAME A SECTION A



# Exploded View

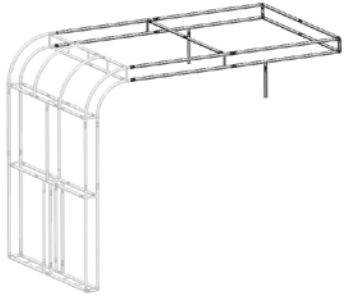
CFAB-K-09



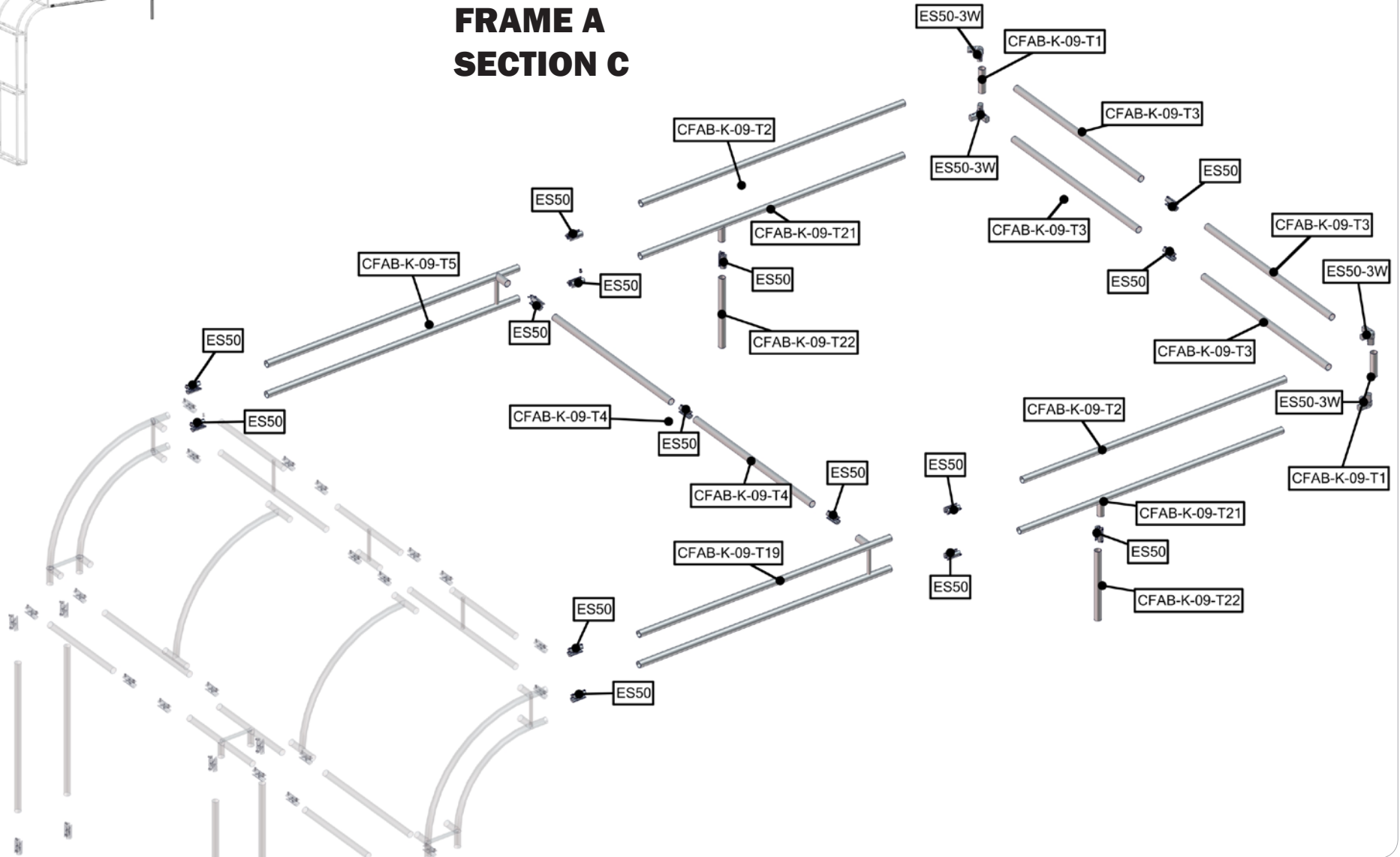
**FRAME A**  
**SECTION B**

# Exploded View

CFAB-K-09



## FRAME A SECTION C

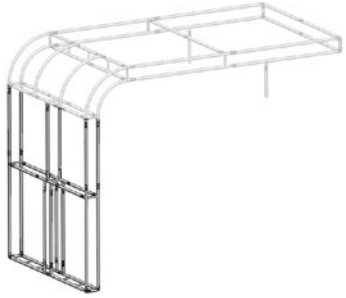




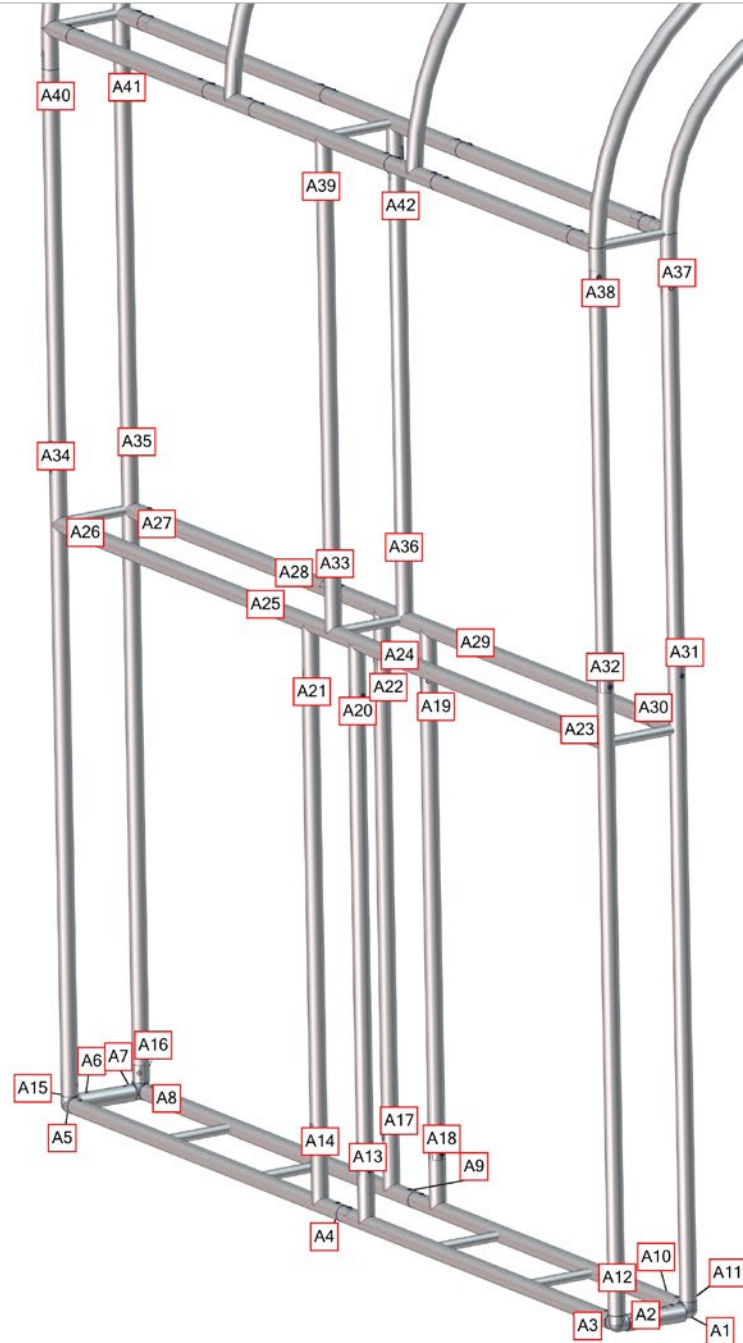


# Labeling Diagram

CFAB-K-09

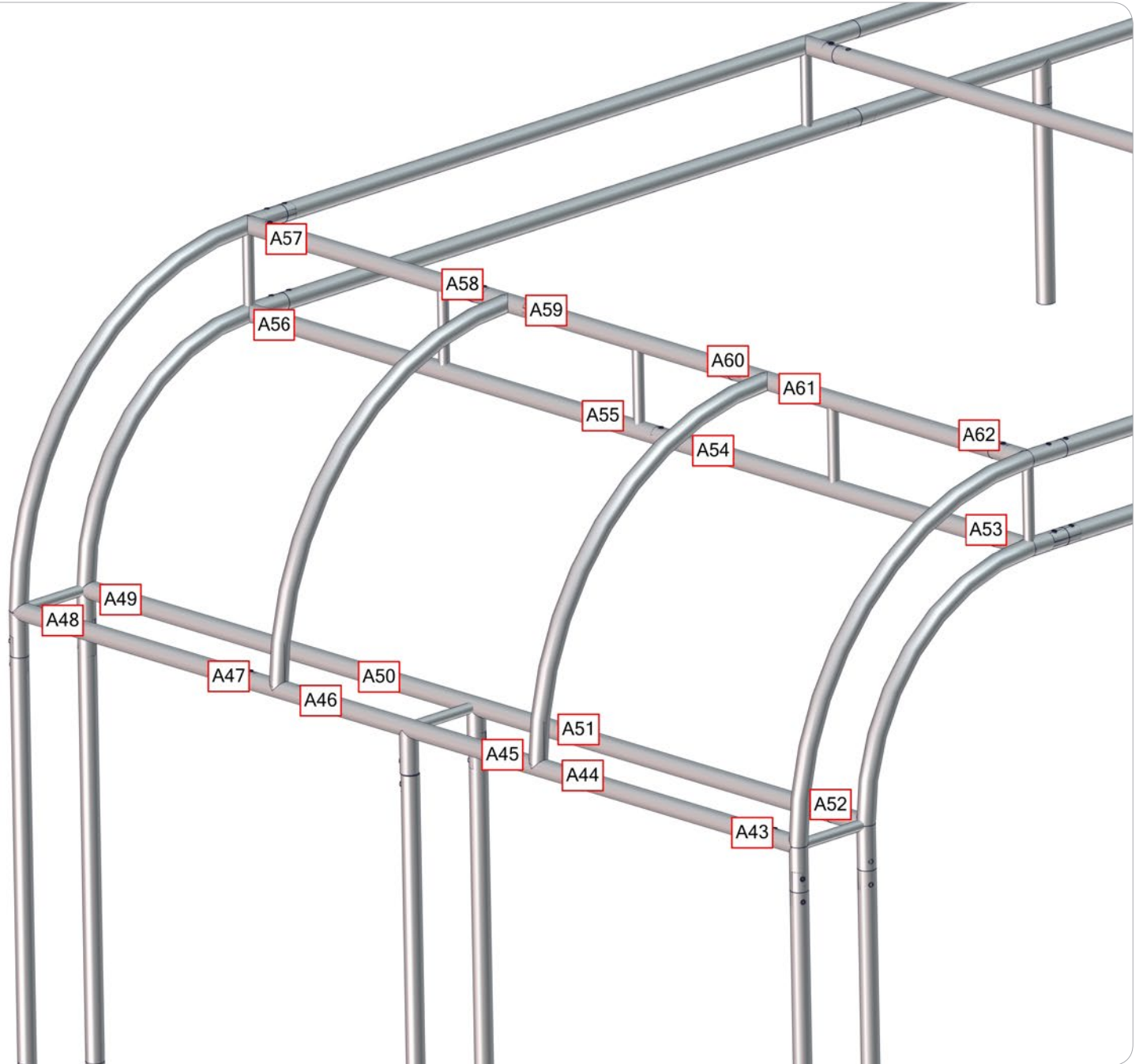
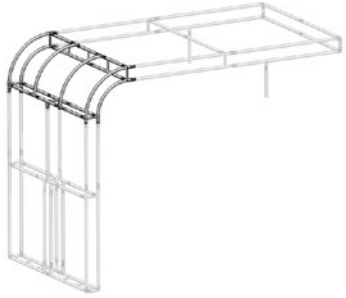


**FRAME A  
SECTION A**



# Labeling Diagram

CFAB-K-09

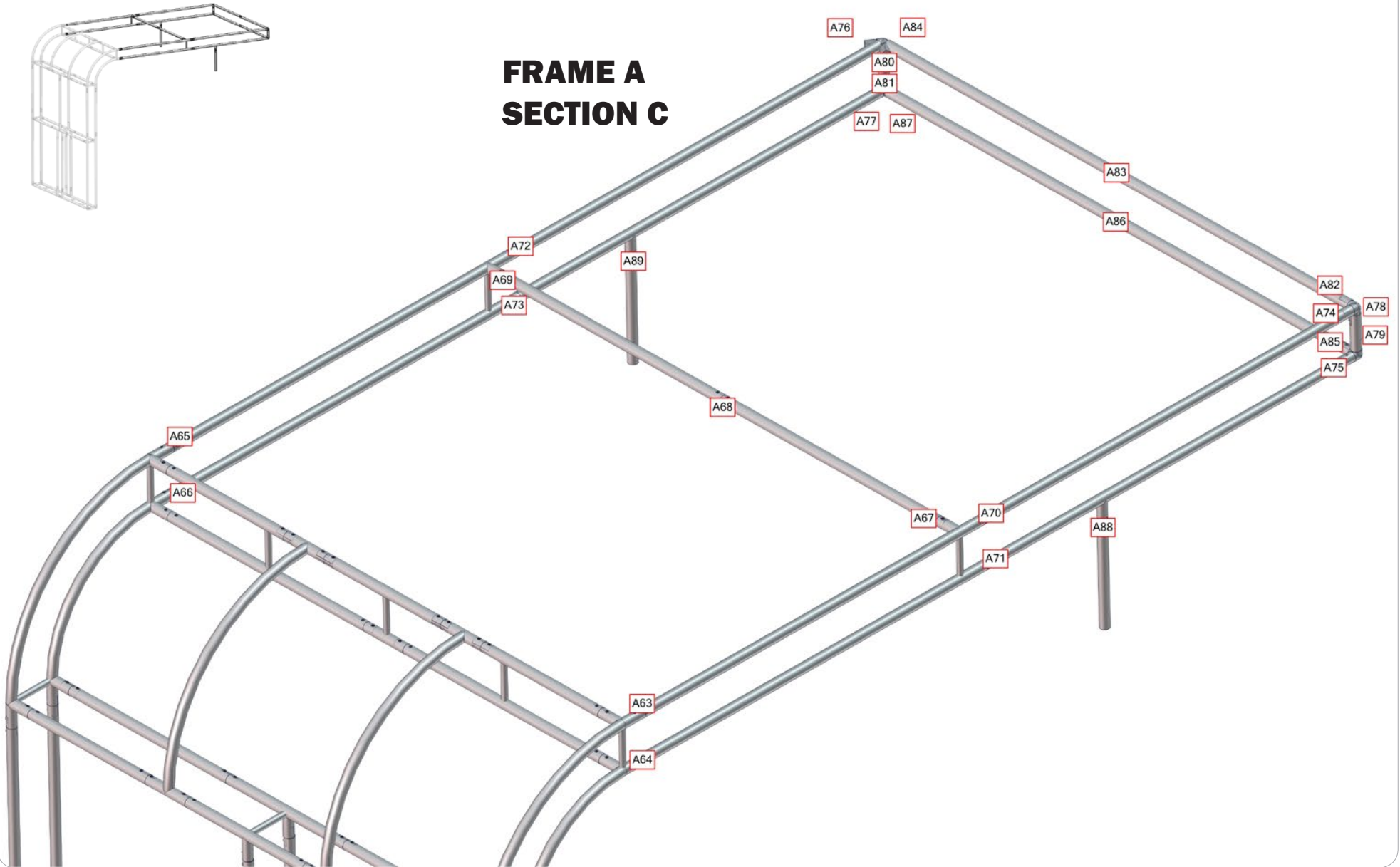


**FRAME A**  
**SECTION B**

# Labeling Diagram

CFAB-K-09

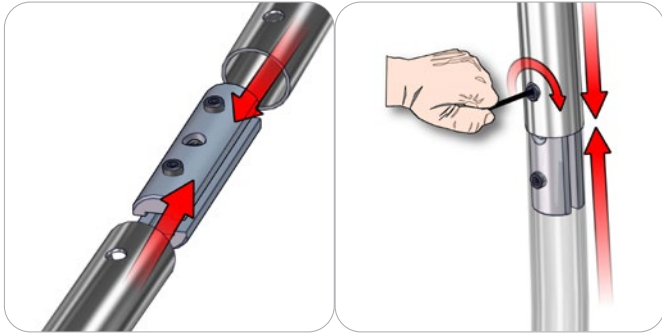
## FRAME A SECTION C



# Connection Methods

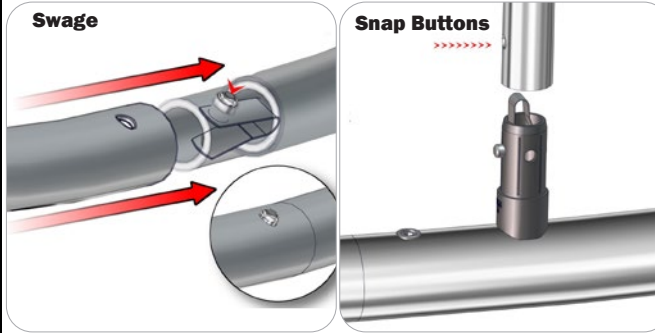
Formulate® structures use a number of different yet simple connection methods. Your kit will include one or more of the connection methods shown below. Steps within the Kit Assembly will reference a specific method for each connection point.

## Connection Method 1: ES30 / ES50 / ES75



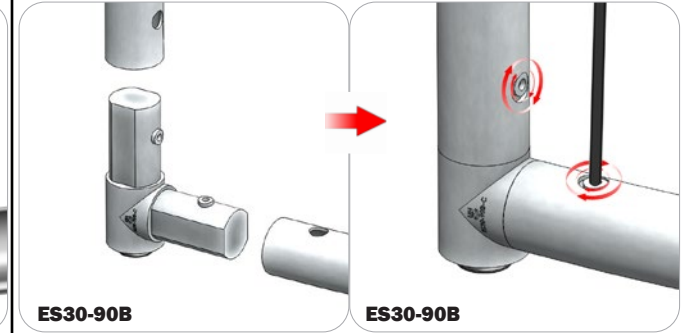
Compress the unlocked connector and slide one tube onto each end. Lock both screws carefully using your allen key tool. Be sure to lock securely, but do not overtighten.

## Connection Method 2: Snap Buttons & Swage



Locate the snap button on the connector or swage tube. Locate the hole on the corresponding tube. Press the snap button with your thumb and slide the tube and connector together so that the snap button snaps fully into the lock hole. To disassemble, press the snap button and pull apart.

## Connection Method 3: ES30-90B / ES30-I / ES30-C



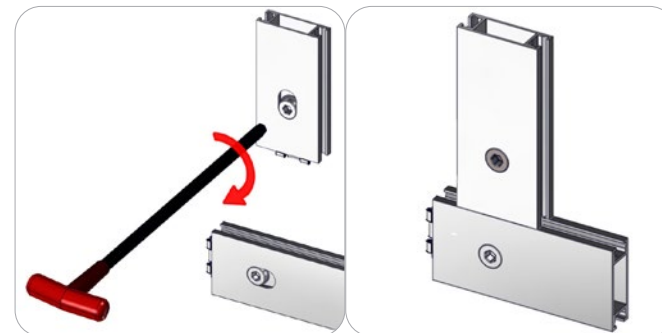
Compress one unlocked end of the connector and slide it through one tube end. Compress the other end of the connector and slide the second tube on. Lock both screws carefully using your allen key tool. Be sure to lock securely, but do not overtighten.

## Connection Method 4: Tube Clamps



Be sure to fully assemble all frames before using clamps. With the clamp unlocked, place one tube of the first frame into the mouth of the clamp. Place the second tube (if applicable) into the second mouth of the clamp. With both frame's tubes in the clamp, be sure to lock securely, but do not overtighten.

## Connection Method 5: Cam Lock / Slide Lock



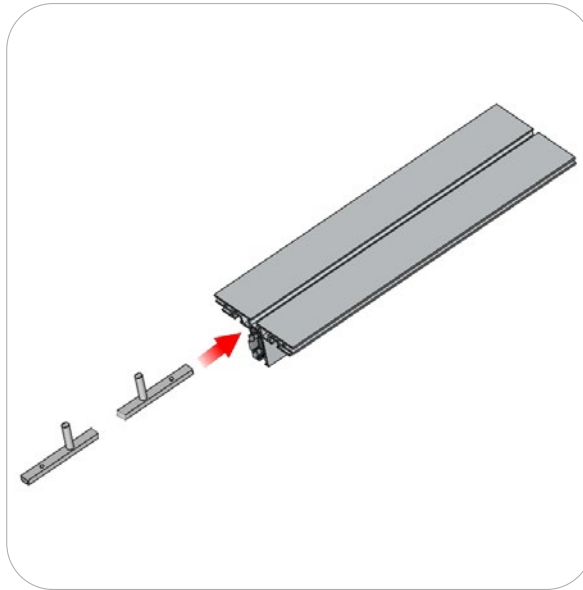
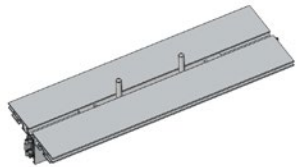
A cam lock equipped extrusion can lock to any cam lock channel. With the cam lock unlocked, set the teeth of the cam lock into the desired position on the cam lock channel. Using your allen key tool, carefully turn the lock clockwise to lock in place. Be sure to lock securely, but do not overtighten.

# Kit Assembly

## Step by Step

### Step 1.

Begin by selecting (2) PHFC4-300-L-L and sliding your DTC brackets through the center channel. These extrusions will become the inner, top extrusions for your Frame B towers. Be sure to orient your DTC brackets as shown in the image to the right.



### Step 2.

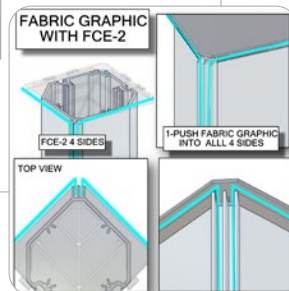
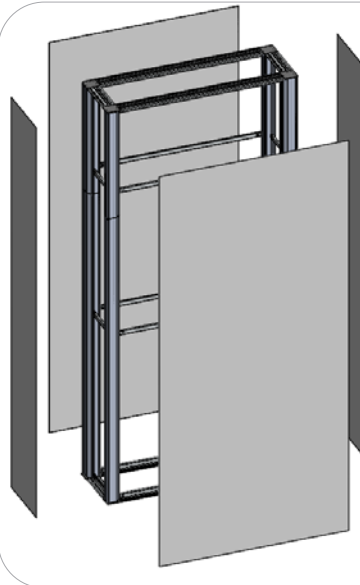
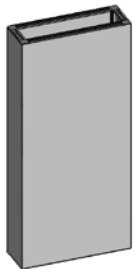
Assemble (2) Frame B. Be sure to use the two PHFC4-300-L-L on the top of your towers. Assemble from bottom to top using the Exploded View page as reference.

Please reference Connection Method 5 for more details.



### Step 3.

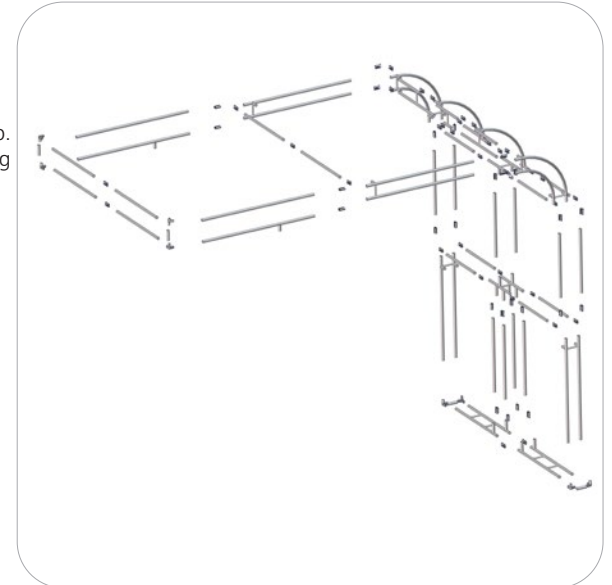
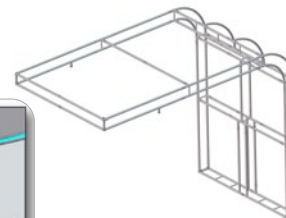
Apply your graphics to Frame B towers. Each tower will need (2) CFAB-K-09-B-G and (2) CFAB-K-09-C-G. Push fit the edges of your graphics into the graphic channels in the extrusions.



### Step 4.

Assemble Frame A. Do not attach your CFAB-K-09-T22 tubes. We will add these tubes in a later step. Assemble in the order the Labeling Diagram pages instruct.

Please reference Connection Method 1.



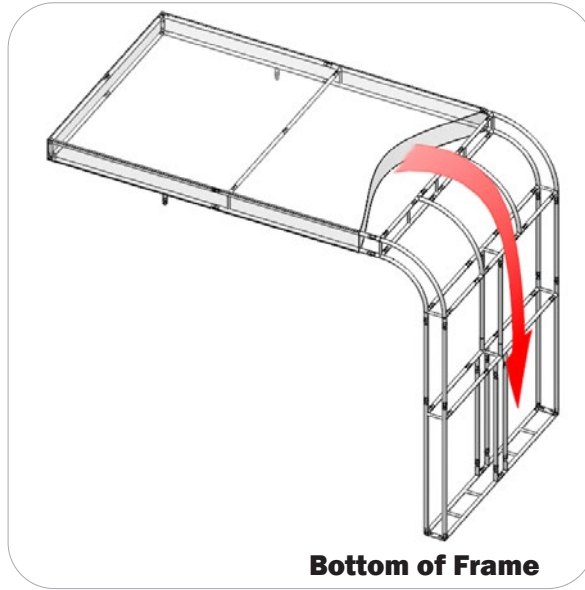
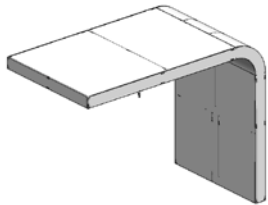
# Kit Assembly

## Step by Step

### Step 5.

Pull your CFAB-K-09-A-G pillowcase over the canopy, be sure to allow the protruding tubes to poke through the holes of the graphic.

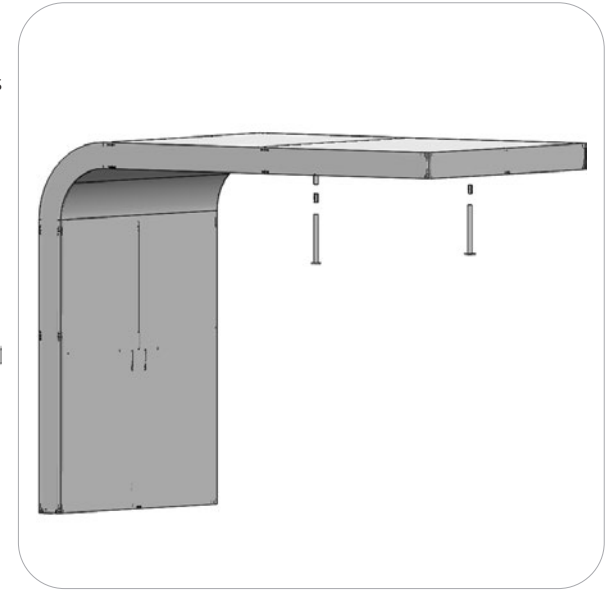
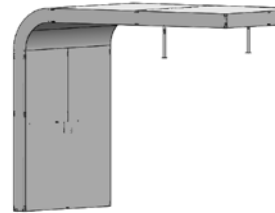
Zipper Located on the bottom of CFAB-K-09-A-G.



### Step 6.

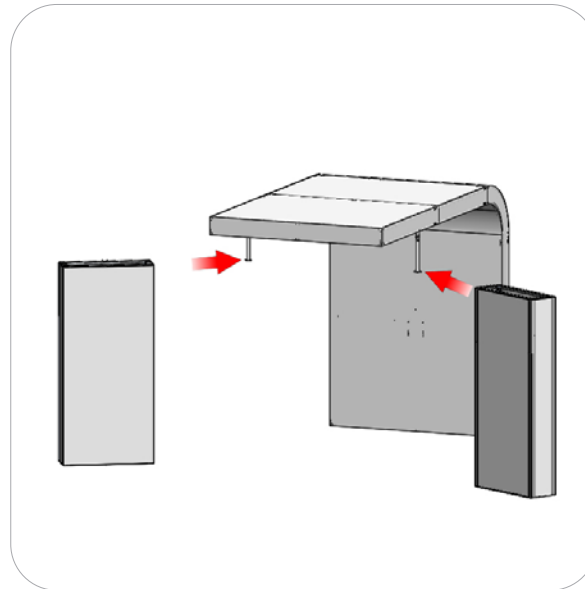
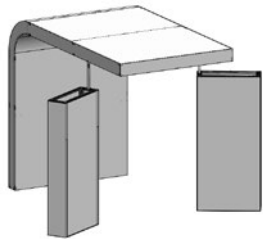
Attach your CFAB-K-09-T22 tubes to the frame using ES50 spigots.

Please reference Connection Method 1.



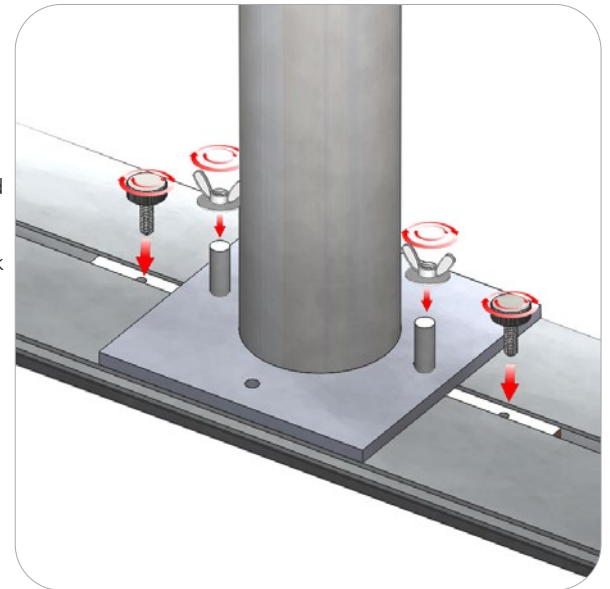
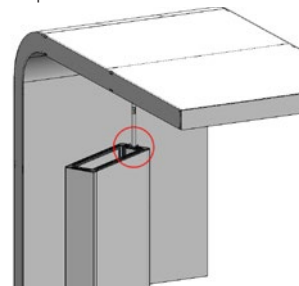
### Step 7.

Relocate your towers so that the plate on CFAB-K-09-T22 rests on the top of your towers.



### Step 8.

Lift up on the front of the canopy and allow the screws of your DTC brackets to slide through the holes of the plate. Use the provided thumbscrews and thread them into the holes of the DTC brackets, locking them into place. Use the provided wingnuts to lock the plate to the DTC brackets.



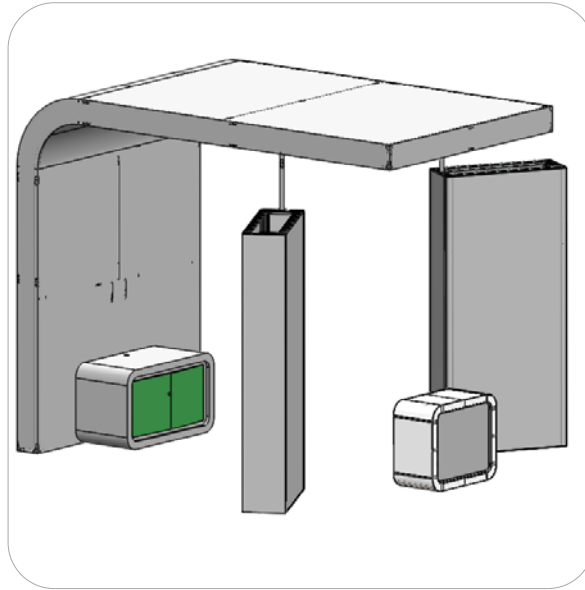
# Kit Assembly

## Step by Step

### Step 9.

Place your counters with your assembled kit. The suggested configuration is shown in the image to the right.

Setup Complete



# hybrid pro counter 09

## REC-42

All Hybrid Pro™ Modular counters feature accessible storage and locking doors. Purchased printed fabric graphics or rigid infill panels allow for your messaging and branding.



## features and benefits:

- White laminate cabinet
- UV graphic, printed on Sintra or on acrylic for back-lighting
- Locking storage door in back
- Easy step-by-step instructions
- Kit includes laminated cabinet, locking storage door, one vinyl graphic and one woodcrate case
- Lifetime hardware warranty against manufacturer defects

## dimensions:

Hardware	Graphic
<b>Assembled unit:</b> 46"w x 37.5"h x 23"d 1168.4mm(w) x 952.5mm(h) x 584.2mm(d)	<b>Total visual area:</b> Panel: 39"w x 30"h 990.6mm(w) x 762mm(h)
Counter holds max weight 50 lbs / 22.68 kgs	Please be sure to include a 2" bleed around the perimeter.
Shipping	Refer to related graphic templates for more information
<b>Shipping dimensions - ships in 1 woodcrate:</b> 1 WOODCRATE case: 56"l x 49"w x 42"h 1422.4mm(l) x 1244.6mm(w) x 1066.8mm(h)	
Approximate shipping weight (entire kit): 370 lbs / 168 kgs	

## additional information:

**Graphic material:**  
UV graphic, printed on Sintra or acrylic for back-lighting

Laminate counter color options:



**nimlok**

**hybrid pro**



# hybrid pro counter 10

## REC-53

All Hybrid Pro™ Modular counters feature accessible storage and locking doors. Purchased printed fabric graphics or rigid infill panels allow for your messaging and branding.



## features and benefits:

- White laminate cabinet
- UV graphic, printed on Sintra or on acrylic for back-lighting
- Locking storage door in back
- Easy step-by-step instructions
- Kit includes laminated cabinet, locking storage door, one vinyl graphic and one woodcrate case
- Lifetime hardware warranty against manufacturer defects

## dimensions:

Hardware

Graphic

### Assembled unit:

64"w x 37.5"h x 30"d  
1625.6mm(w) x 952.5mm(h) x 762mm(d)

### Total visual area:

57.25"w x 30"h  
1454.15mm(w) x 762mm(h)

Counter holds max weight 100 lbs / 45.35 kgs

Please be sure to include a 2" bleed around the perimeter.

Refer to related graphic templates for more information

Shipping

### Shipping dimensions - ships in 1 woodcrate:

1 WOODCRATE case: 72"l x 48"w x 39"h  
1828.8mm(l) x 1219.2mm(w) x 990.6mm(h)

Approximate shipping weight (entire kit):  
486 lbs / 220.4 kgs

## additional information:

### Graphic material:

UV graphic, printed on Sintra or acrylic for back-lighting

Laminate counter color options:



dove  
grey



black



designer  
white



fusion  
maple

**nimlok**

**hybrid pro**