

Formulate Counter 03 - Ellipse

Formulate counters couple lightweight hardware with printed stretch silicon edge fabric graphics (SEG) to create funky and functional reception stands. Tables and bases are available in four colored finishes. Panels are available in three colors or can be printed to compliment the fabric graphic.



features and benefits:

- Printed stretch silicon edge fabric graphic (SEG) for a custom look
- Built-in channels for optional LED bead lighting (LED beads not included)
- Kit includes one counter top, one counter base with grommet, one locking panel, and one wheeled molded OCH2 case
- Counter supports 25 lb. of weight on center
- Lifetime hardware warranty against manufacturer defects

dimensions:

Hardware

Graphic

Assembled unit:

46.09" w x 38.17" h x 19.79" d
1171mm(w) x 970mm(h) x 503mm(d)

Approximate weight:
51 lb / 23 kg

Refer to related graphic template for more information.

Visit:
www.tradeshowplus.com

Shipping

additional information:

Packing case(s):
1 OCH2

Shipping dimensions:
OCH2:
52" l x 29" h x 15" d
1321mm(l) x 737mm(h) x 381mm(d)

Approximate total shipping weight:
81 lb / 37 kg

Graphic material:
Dye-sublimation silicon edge fabric (SEG)

When included in a larger kit, a different packaging solution will be listed to accommodate all contents of the kit. Individual packaging no longer provided.

Panel Colors:



grey



black



white

Tabletop Colors:



silver



black



mahogany



natural

Optional Lighting:

LED-WHT-BEAD-CT1 for warm white lights
LED-RGB-BEAD-CT1 for colored lights
Must specify whether lights go inside or outside of the graphic

We are continually improving and modifying our product range and reserve the right to vary the specifications without prior notice. All dimensions and weights quoted are approximate and we accept no responsibility for variance. E&OE. See Graphic Templates for graphic bleed specifications.

Included In Your Kit

Tools, Components, & Connectors



ALLEN KEY SET x1



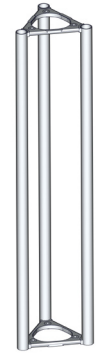
W-03-C-TOP x1



W-03-C-BASE x1



W-03-C-PANEL x1



TRI30-COUNTER x1



5/16-18X1.25 SET SCREW x3



5/16-18X2 SET SCREW x3



5/16-18 FLANGE WING NUT x6

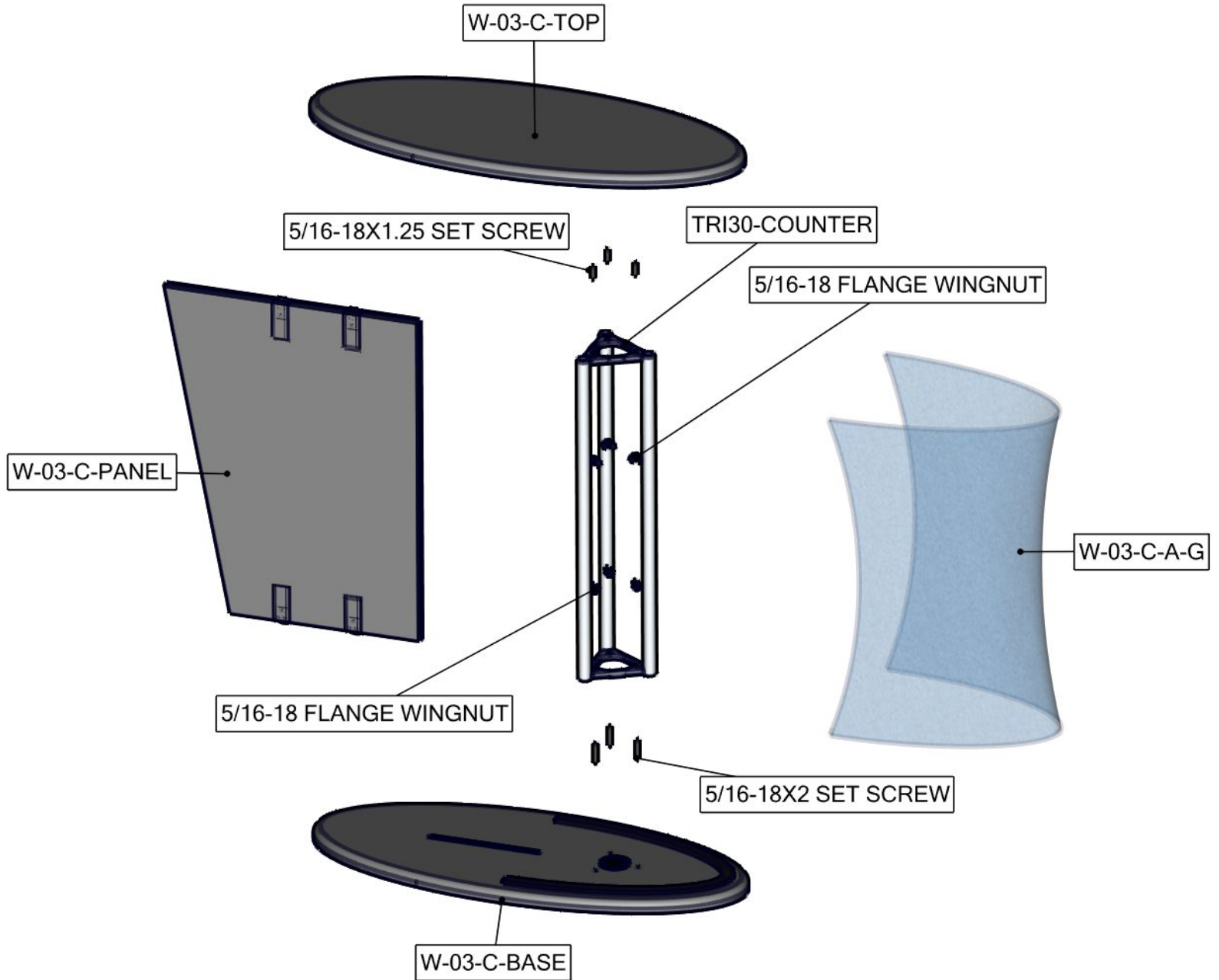
Graphics



W-03-C-A-G x1

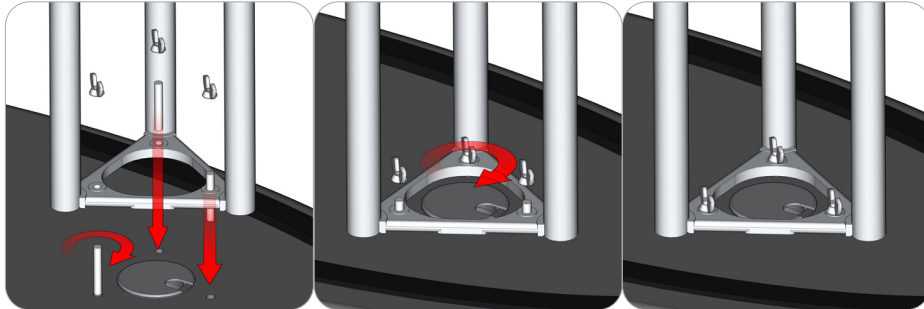
Exploded View

W-03-C



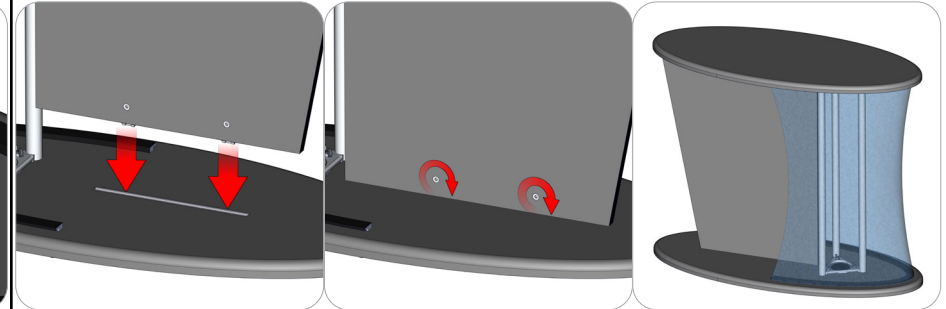
Connection Methods

Connection Method 1: SET SCREW / WING NUT / TRI30-COUNTER



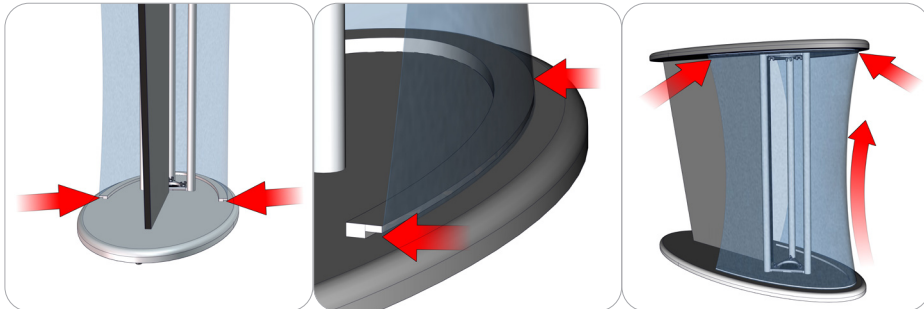
First, turning clock-wise, place the set screws into the wooden base and top. You can use your provided allen key for tight turns. Second, lay the TRI30-COUNTER in place making sure there is enough of the set screws protruding out. Turn set screws counter-clock-wise to gain exposure. Third, finish the attachment with the flanged wing nuts. Turn them clock-wise and make sure they are snug.

Connection Method 2: PANELS / CAM LOCK 2010 / PE



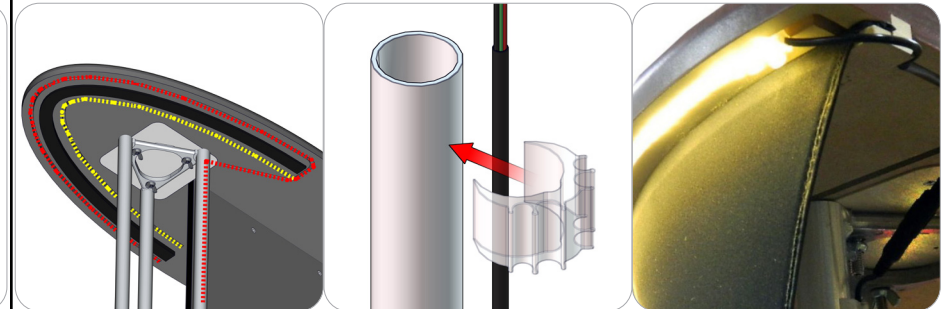
First, with the cam locks disengaged, align the lock panel into the exposed PE extrusion channel. Second, using your provided allen key set, make half turns (clock-wise) on the cam lock buttons for locking the panel in place. Do not over tighten.

Connection Method 3: SILICON EDGE FABRIC GRAPHIC



First, take the bottom edge of the silicone edge fabric graphic and press fit into the base wooden channel. Start at the ends of the channel and work your way in. Second, pull the silicon edge fabric top end into the wooden channel of the counter top. Again, start at the ends of the channel and work your way in. This fabric is able to stretch and is easily adjustable to reduce ripples in the graphic.

Connection Method 4: OPTIONAL LED



First, determine if the LED beads are going to be installed on the inside (yellow) track or outside (red) track of the counter top. Second, once the LED beads are in place, use WC-30T's to hold the power cable on the TRI30-COUNTER tubes. There will be a grommet hole on the base to wire the cable through.

Kit Assembly

Step by Step

Step 1.

Gather the components to assemble the counter base and the counter leg. Use the exploded view for component layout.

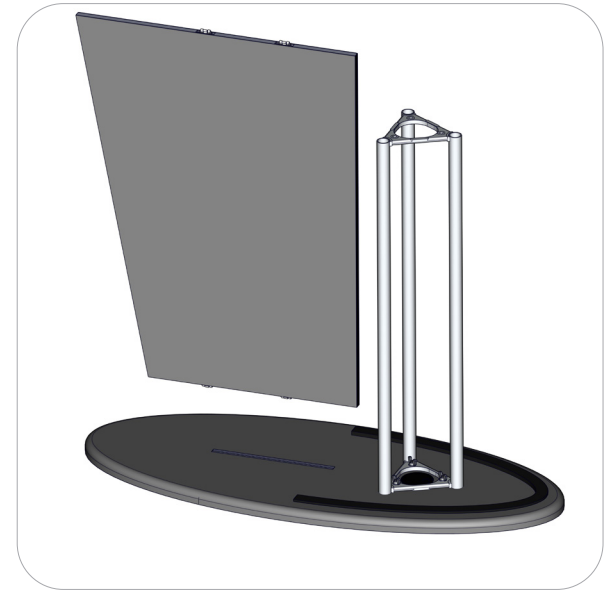
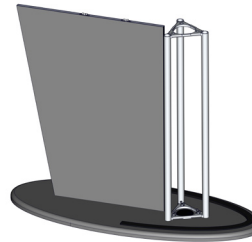
Reference Connection Method 1 for more details.



Step 2.

Assemble the counter panel onto the counter base. Use the exploded view for component layout.

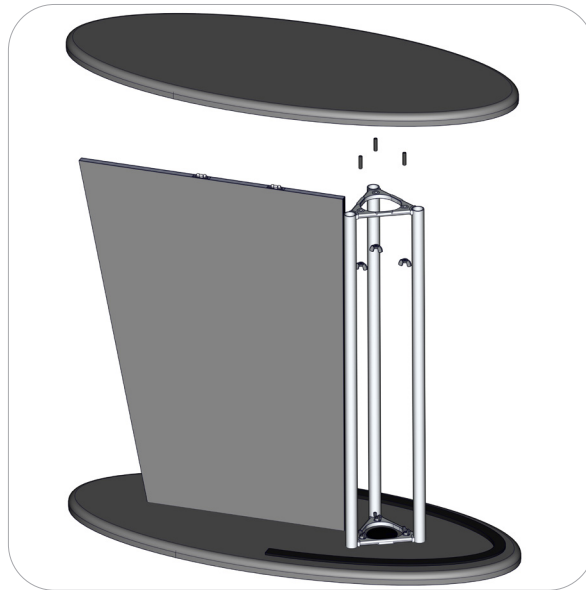
Reference Connection Method 2 for more details.



Step 3.

Gather the components to assemble the counter top. Use the exploded view for component layout.

Reference Connection Methods 1 and 2 for more details.



Step 4.

Apply the silicone edge fabric graphic into the base and top. Use the exploded view for component layout.

Reference Connection Methods 3 and 4 for more details and LED lighting options.

