

Formulate Designer Series 10ft Kit 13

Formulate Designer Series 10ft displays have unique stylistic features and shapes, are portable and easy to assemble. The aluminum tube frame features snap-buttons and/ or spigot connections and zipper pillowcase fabric graphics. All displays come in portable, wheeled transit cases. Simply pull the pillowcase fabric graphic(s) over the frame and zip.



We are continually improving and modifying our product range and reserve the right to vary the specifications without prior notice. All dimensions and weights quoted are approximate and we accept no responsibility for variance. E&OE. See Graphic Templates for graphic bleed specifications.

features and benefits:

- Premium aluminum tube frames with spigot / snap assembly
- Easy to store and ship
- Quick to set up
- Weighted feet for added stability
- Two zipper pillowcase fabric graphics
- Lifetime limited hardware warranty against manufacturer defects

dimensions:

Hardware	Graphic
<p>Assembled unit: 114" w x 90.89" h x 25.59" d 2896mm(w) x 2309mm(h) x 650mm(d)</p> <p>Approximate weight with cases: 164 lbs / 74.4 kgs</p>	<p>Refer to related graphic template for more information.</p> <p>Visit: www.tradeshowplus.com</p>
Shipping	
<p>Packing case(s): 1 OCE Case 1 OCH2 Case</p> <p>Shipping dimensions: OCE: Expandable case length (l) may vary 40" - 66" l x 18" h x 18" d 1016mm-1677mm(l) x 458mm(h) x 458mm(d)</p> <p>OCH2: 52" l x 29" h x 15" d 1321mm(l) x 737mm(h) x 381mm(d)</p> <p>Approximate total shipping weight (includes cases & graphics): 174 lbs / 7.9kgs</p>	
	additional information:
	<p>Graphic material: dye-sublimation zipper pillowcase fabric</p>

Included In Your Kit

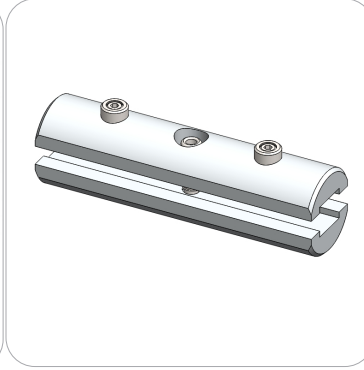
Tools, Components, & Connectors



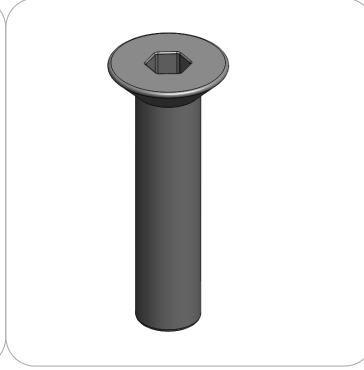
HEX KEY SET x1



10MM Hex TOOL x1



ES30 x19



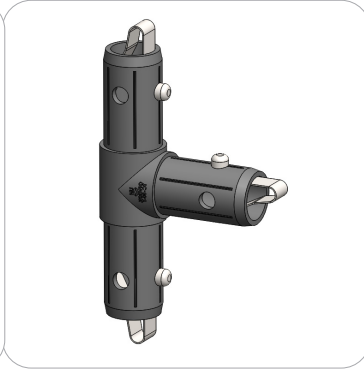
LN114-SCRW x6



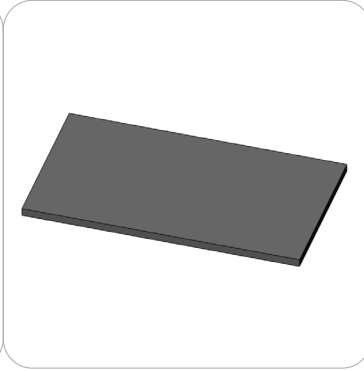
TC-30-90T x2



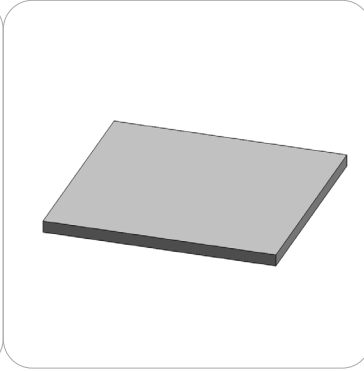
LN114-S2-650 x3



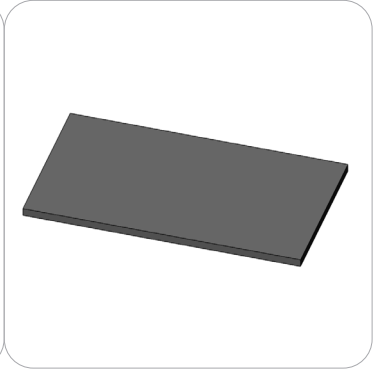
TC-30-T x1



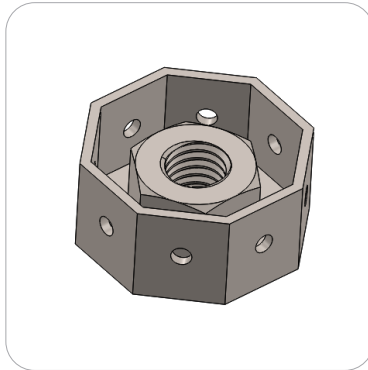
CT-DS-10-13-1 x1



CT-DS-10-13-2 x1



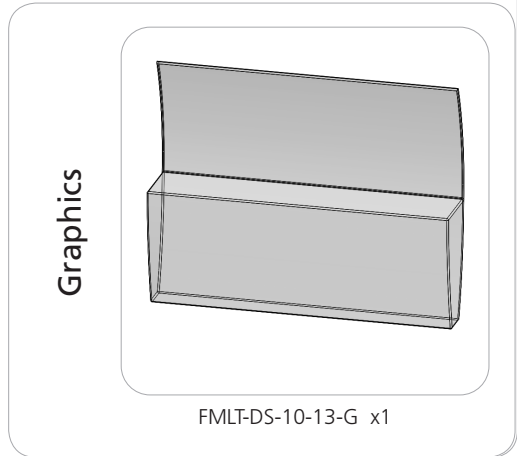
CT-DS-10-13-3 x1



LN105-OBI x6



LUM-LED2-ORL-B x2



Graphics

FMLT-DS-10-13-G x1

Included In Your Kit

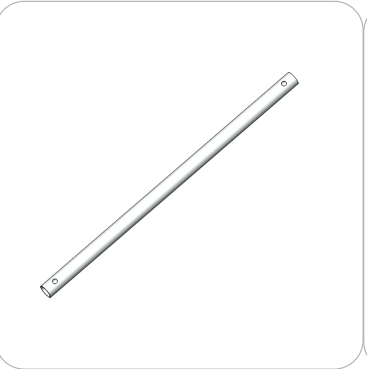
Tubes



FMLT-DS-10-13-T1 x1



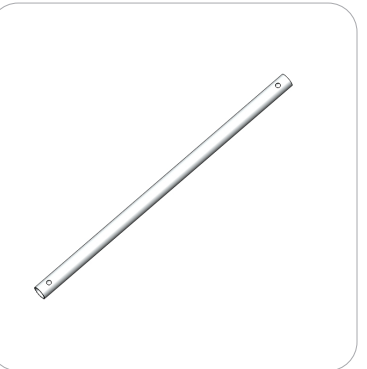
FMLT-DS-10-13-T2 x1



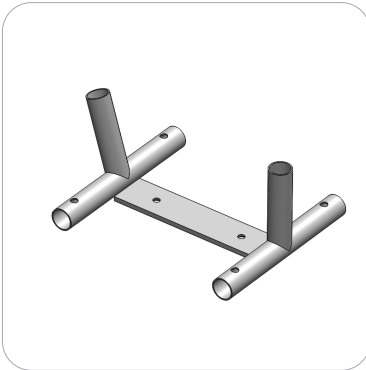
FMLT-DS-10-13-T3 x4



FMLT-DS-10-13-T4 x3



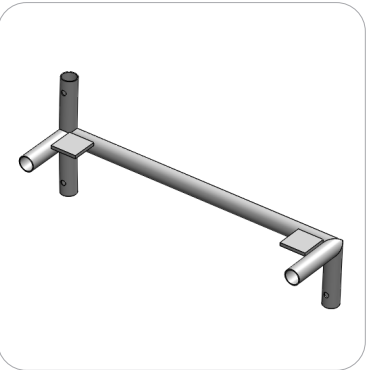
FMLT-DS-10-13-T5 x2



FMLT-DS-10-13-T6 x1



FMLT-DS-10-13-T7 x1



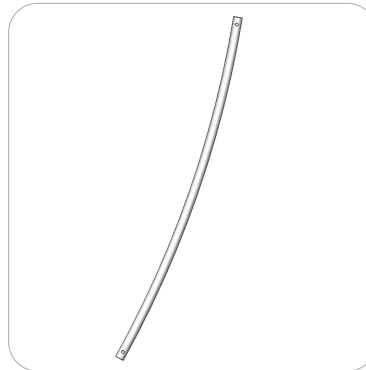
FMLT-DS-10-13-T8 x1



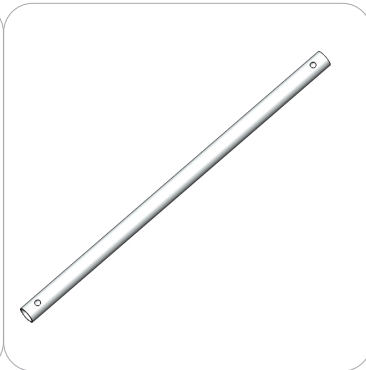
FMLT-DS-10-13-T9 x1



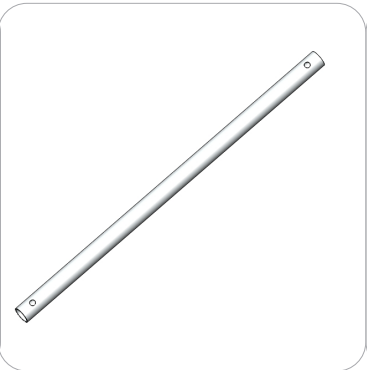
FMLT-DS-10-13-T10 x2



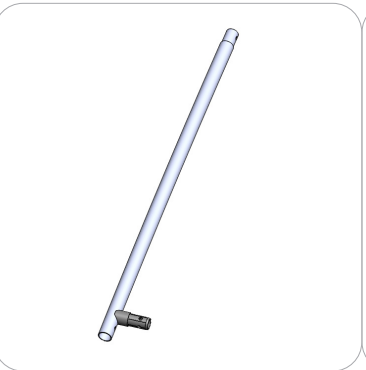
FMLT-DS-10-13-T11 x3



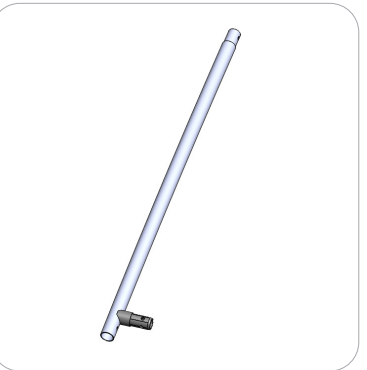
FMLT-DS-10-13-T12 x1



FMLT-DS-10-13-T13 x2



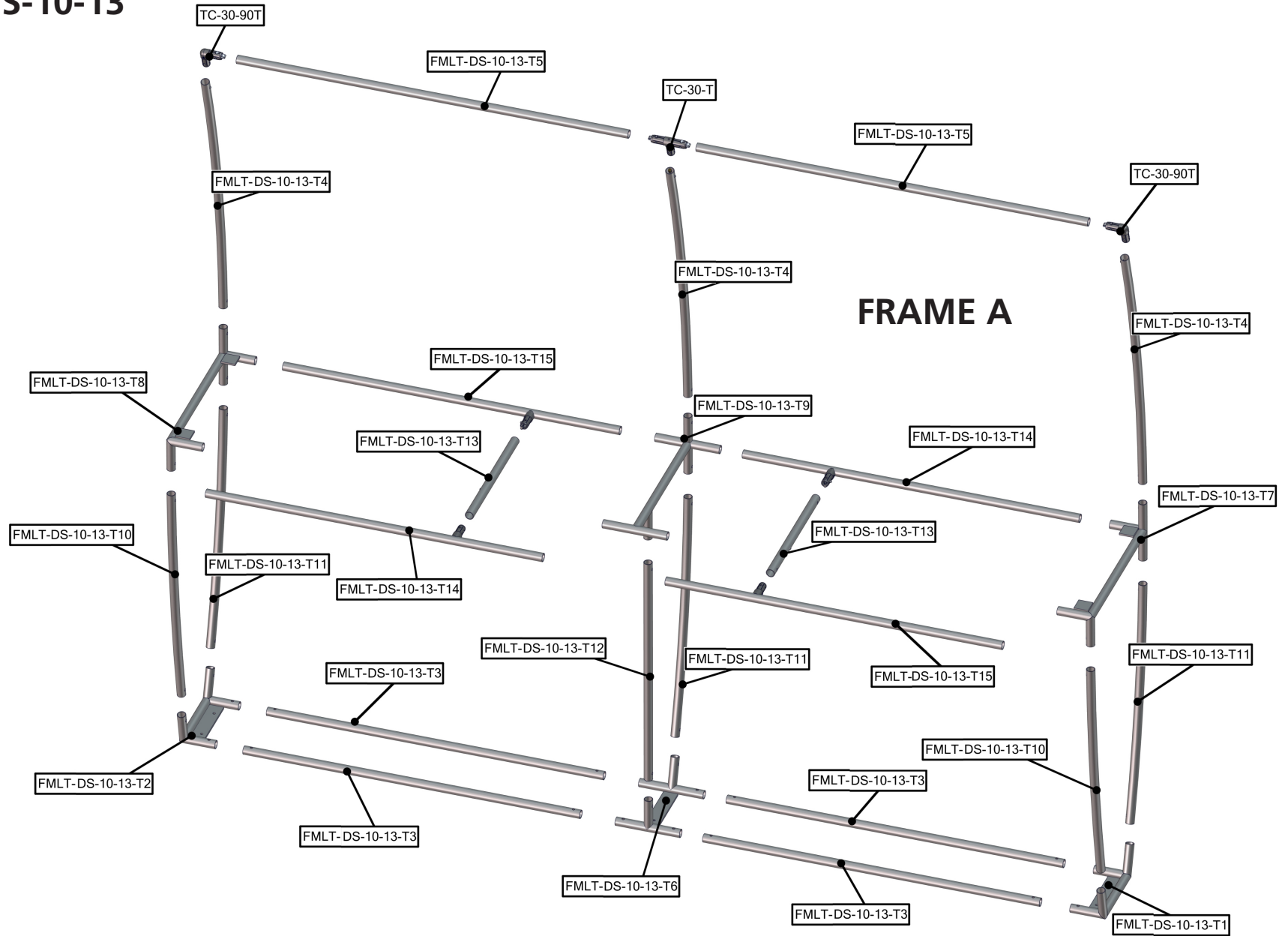
FMLT-DS-10-13-T14 x2



FMLT-DS-10-13-T15 x2

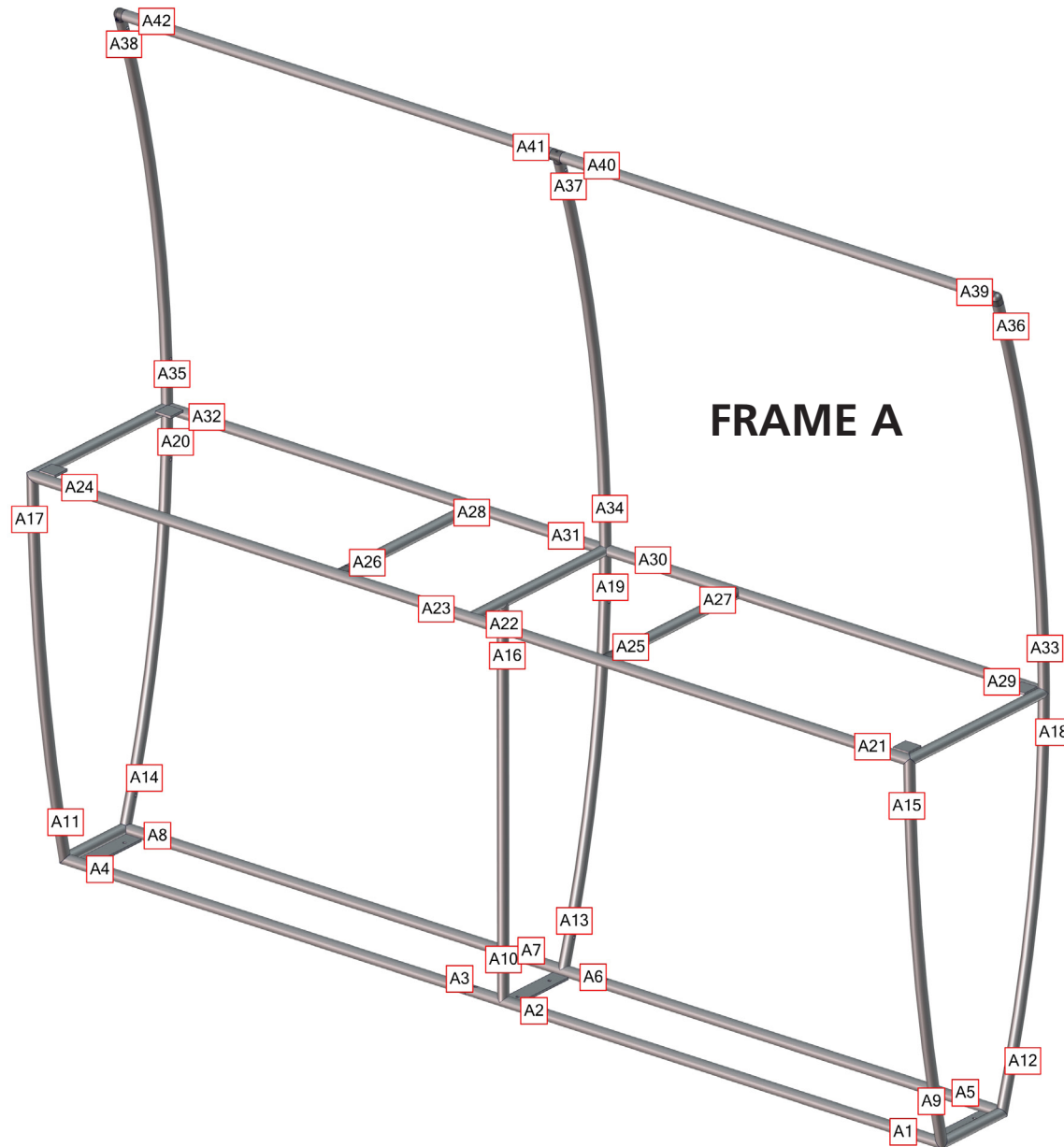
Exploded View

FMLT-DS-10-13



Labeling Diagram

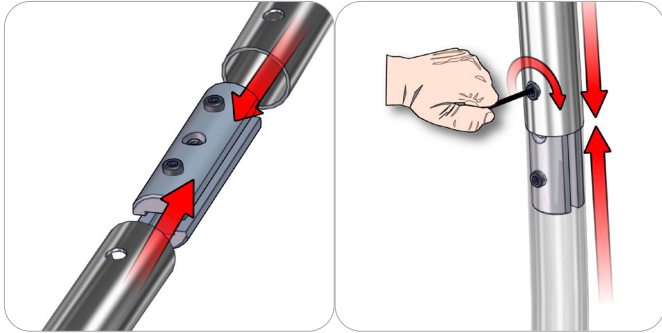
FMLT-DS-10-13



Connection Methods

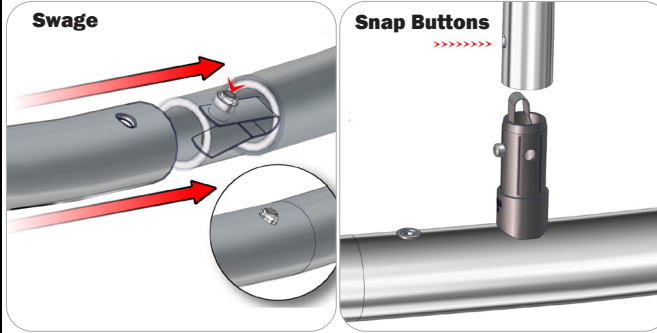
Formulate® structures use a number of different yet simple connection methods. Your kit will include one or more of the connection methods shown below. Steps within the Kit Assembly will reference a specific method for each connection point.

Connection Method 1: ES30 / ES50 / ES75



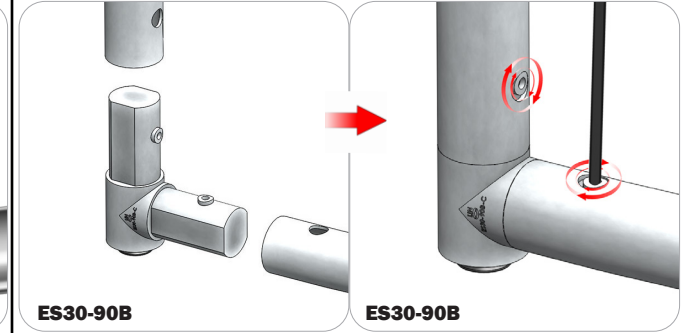
Compress the unlocked connector and slide one tube onto each end. Lock both screws carefully using your hex key tool. Be sure to lock securely, but do not overtighten.

Connection Method 2: Snap Buttons & Swage



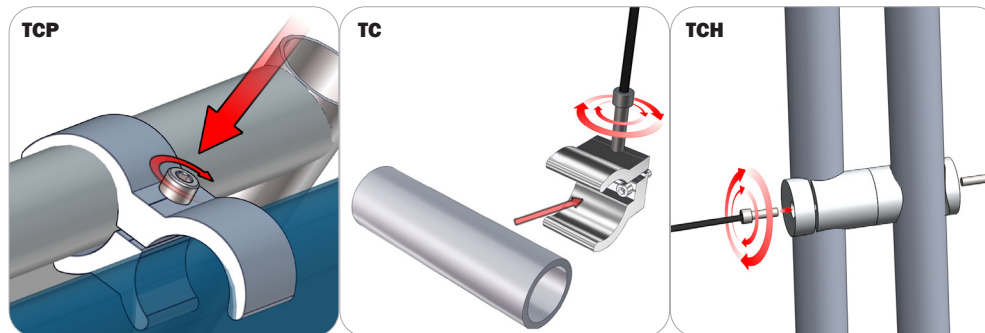
Locate the snap button on the connector or swage tube. Locate the hole on the corresponding tube. Press the snap button with your thumb and slide the tube and connector together so that the snap button snaps fully into the lock hole. To disassemble, press the snap button and pull apart.

Connection Method 3: ES30-90B / ES30-I / ES30-C



Compress one unlocked end of the connector and slide it through one tube end. Compress the other end of the connector and slide the second tube on. Lock both screws carefully using your hex key tool. Be sure to lock securely, but do not overtighten.

Connection Method 4: Tube Clamps



Be sure to fully assemble all frames before using clamps. With the clamp unlocked, place one tube of the first frame into the mouth of the clamp. Place the second tube (if applicable) into the second mouth of the clamp. With both frame's tubes in the clamp, be sure to lock securely, but do not overtighten.

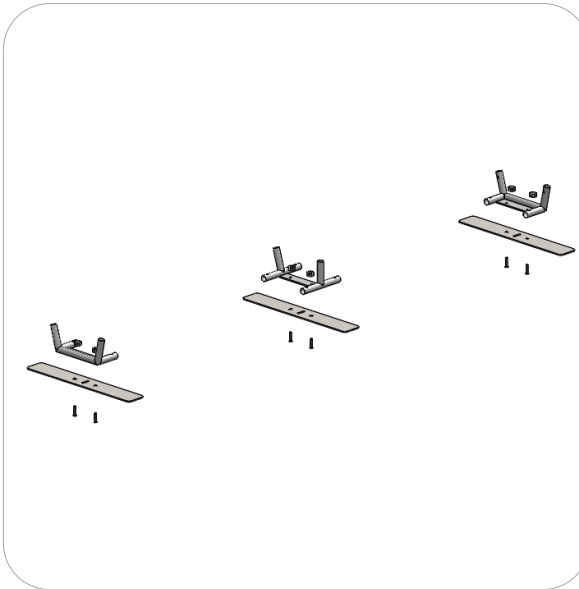
Kit Assembly

Step by Step

Step 1.

Begin by fastening your bases to tubes:
FMLT-10-13-T1, FMLT-10-13-T2, &
FMLT-10-13-T6

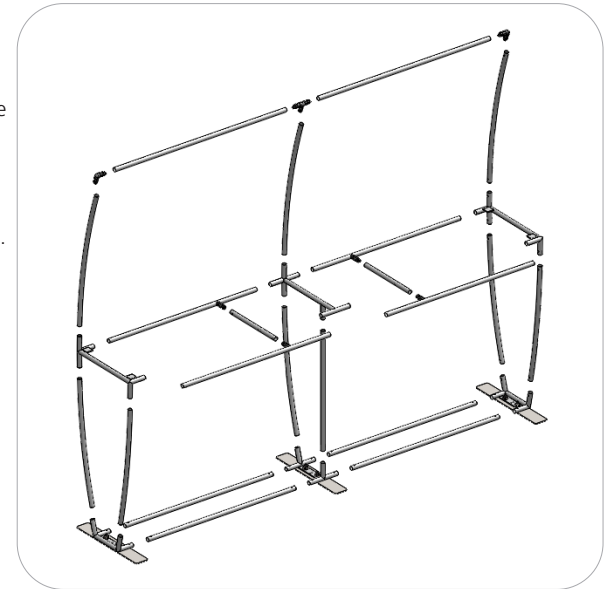
You will need (6) LN114-SCRW,
(6) LN105-OBI, and (3)
LN114-S2-650. Push your LN114-
SCRWs through the LN114-S2-650
baseplate and the pre-existing
holes of the tube assemblies.
Be sure the countersunk hole in
the baseplate is facing down.
Lock into place by screwing the
LN105-OBI nuts onto the screws.
The open end of the LN105-OBI
should face upward. Use the
provided hex tool to torque the
screws securely.



Step 2.

Locate the components necessary
to assemble your frame. Assemble
in the order specified in the
Labeling Diagram.

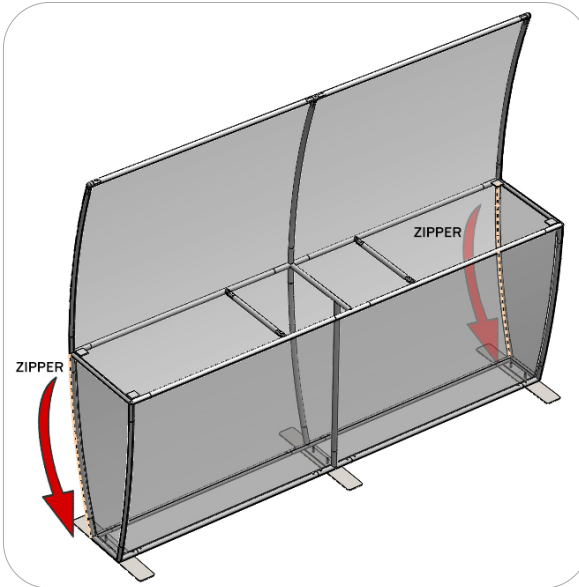
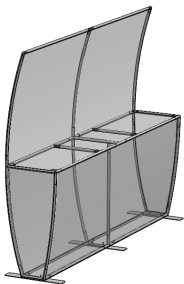
Please reference Connection
Methods 1 and 2 for more details.



Step 3.

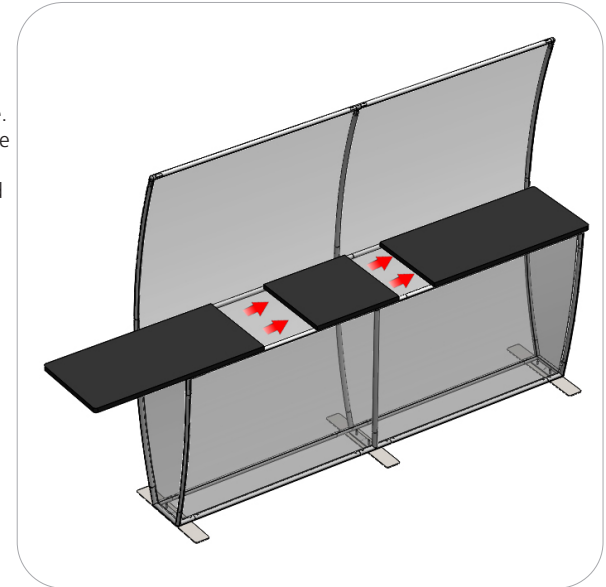
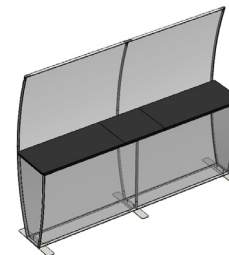
Locate the FMLT-DS-10-13-G
fabric cover for your frame. Pull
the cover over the top. Use the
velcro to hold the fabric in place.

Zippers are located on sides of the
frame as shown in the figure to
the right.



Step 4.

Locate your counter top panels.
Slide them together one at a time.
Lock the panels together using the
lock mechanism on the underside
of the counter tops, you will need
your 10mm hex key to do so.



Kit Assembly

Step by Step

Step 5.

Attach lighting to top tubes using the provided clamps.

