

# Formulate Backwall Connector 01

The Formulate Backwall Connector is an ideal accessory to connect two 10ft Formulate backwalls (excluding VC6). It features a pillowcase fabric graphic and connects easily to create the appearance of one seamless display.



\*Shown with two 10ft backwalls;  
sold separately



## features and benefits:

- State-of-the-art 30mm aluminum tube frame with snap button assembly
- Easy to store and ship
- Quick to set up
- Kit includes: one frame, one dye-sublimated zipper pillowcase graphic, and one wheeled molded OCL storage case
- Lifetime hardware warranty against manufacturer defects

## dimensions:

Hardware	Graphic
<p>Assembled unit: 48" w x 91.5" h</p> <p>Approximate weight (includes graphic): 17 lbs / 7.7 kgs</p>	<p>Total visual area: 48" w x 91.5" h</p> <p>Please be sure to include the 2" bleed around the perimeter.</p> <p>Refer to related graphic template for more information.</p>
<p>Shipping</p> <p>Shipping dimensions: 1 OCL case: 19" l x 19" w x 56" h 1194mm(l) x 432mm(w) x 178mm(h)</p> <p>Approximate shipping weight (with case): 37 lbs / 16.8 kgs</p>	<p>Visit: <a href="http://www.tradeshowplus.com">www.tradeshowplus.com</a></p>

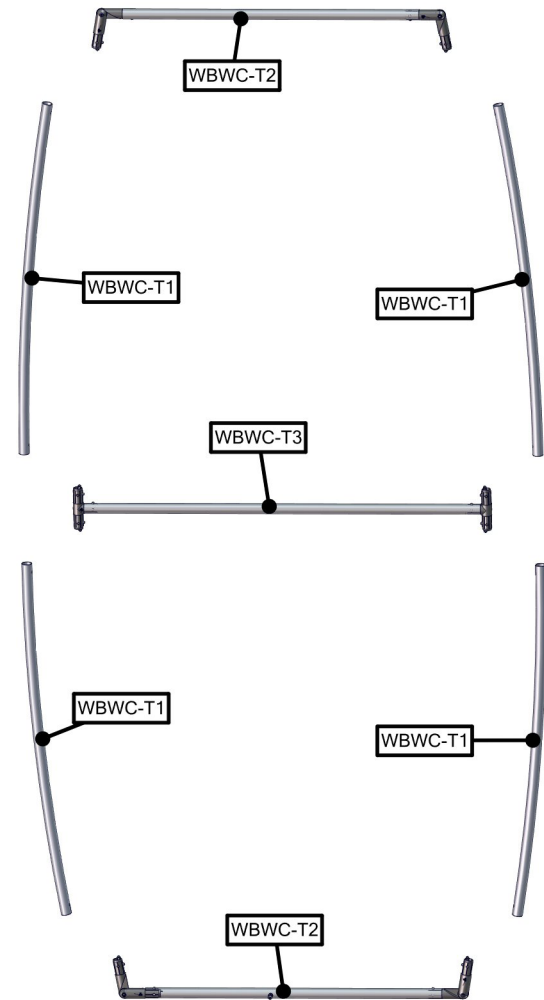
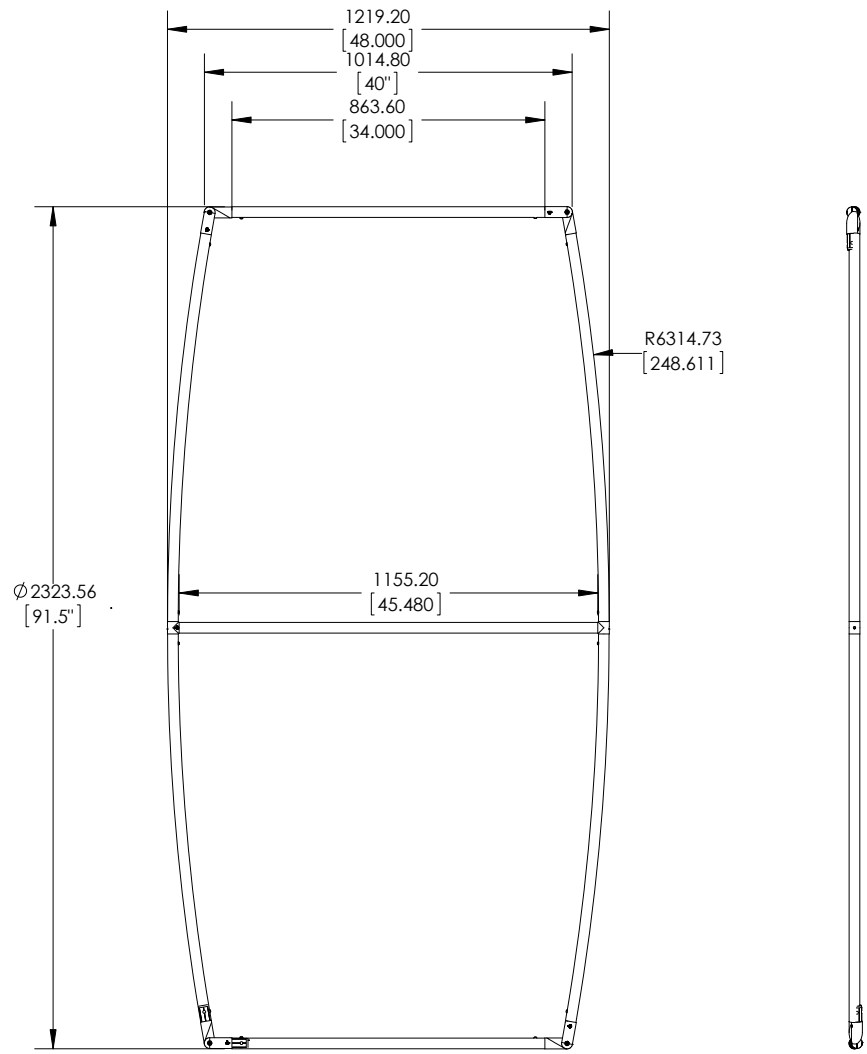
## additional information:

Graphic material:  
Dye-sublimated zipper pillowcase fabric;  
single sided

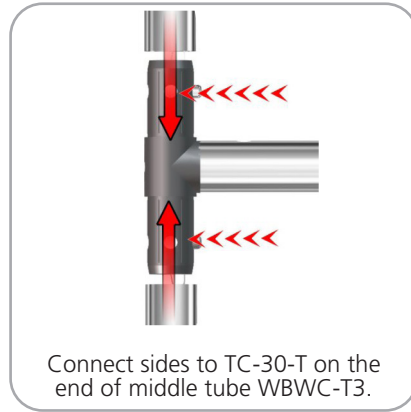
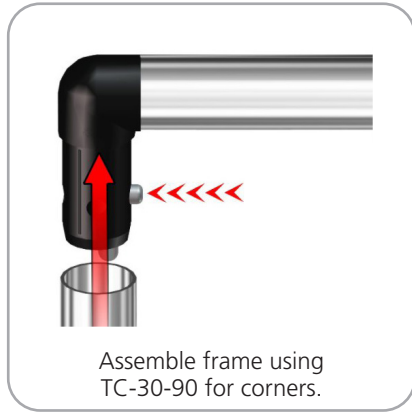
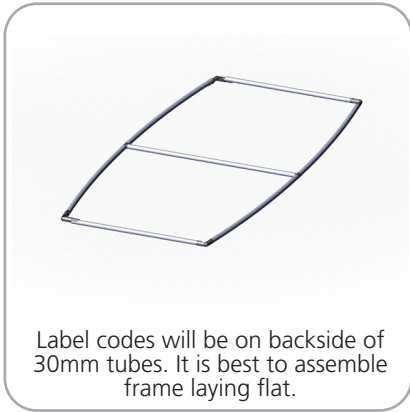
\*Not compatible for use with WV10-06 backwall due to size differences

We are continually improving and modifying our product range and reserve the right to vary the specifications without prior notice. All dimensions and weights quoted are approximate and we accept no responsibility for variance. E&OE. See Graphic Templates for graphic bleed specifications.

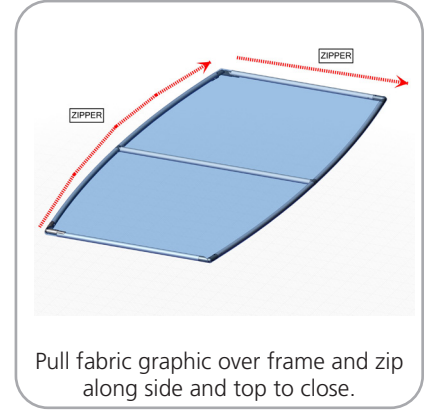
Parts Included		
Part Label	Qty	Part Code
48" x 91.5" FABRIC PILLOWCASE GRAPHIC	x1	WBWC-G
TCP-30-30 BACK TO BACK CLAMP	x2	TCP-30-30
R6300MM X 30MM TUBE (1075 ARC)	x4	WBWC-T1
863MM X 30MM TUBE WITH TC-30-A (100) BOTH ENDS	x2	WBWC-T2
1155MM X 30MM TUBE WITH PART TC-30-T BOTH ENDS	x1	WBWC-T3



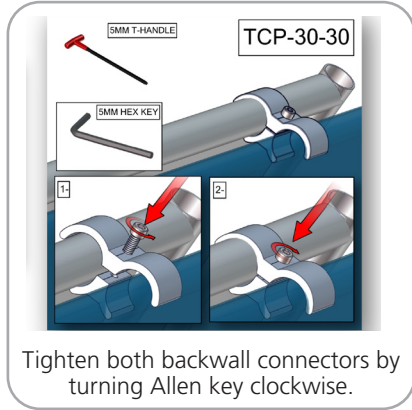
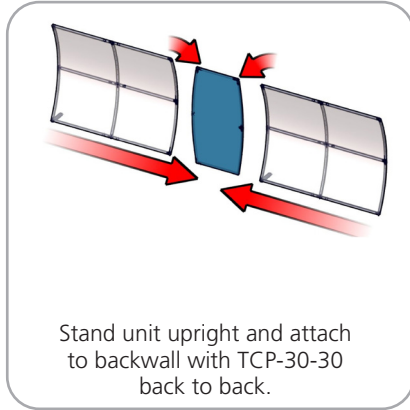
### STEP 1: ASSEMBLE FRAME



### STEP 2: ATTACH GRAPHIC



### STEP 3: ATTACH TO BACKWALL



# Check out these related products:

The Formulate line is a collection of stylish, ergonomically designed tabletop, 8ft, 10ft, 20ft exhibits, hanging structures, and display accessories. Formulate combines state-of-the-art zipper pillowcase dye-sublimated fabric coverings with a premium lightweight aluminum structure. Formulate is efficient, easy to assemble and disassemble, and offers remarkable style options and choices.



Formulate Shark Fin



Formulate Fabric Banner



Formulate 20ft Kits



Formulate 10ft Kits  
(Vertical Curve)



Formulate 10ft Kits  
(Straight)



Formulate Backwall Connector



Formulate Lite