

Formulate:

Accent 02

Total Graphic Area: 22" w X 18.5" h

Total Finished Area: 21" w X 17.5" h

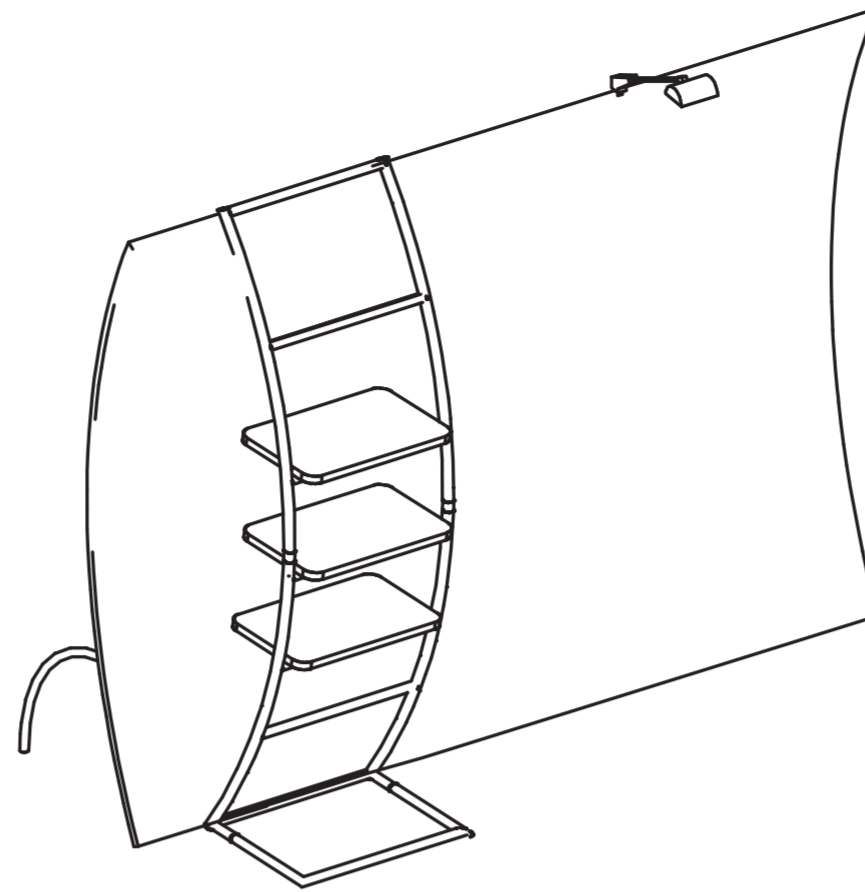
Total Visual Area: 21" w X 17" h

Use separate template for formulate backwall graphic. This template only represents the accent graphics.

Please be sure to include the 1/2" bleed around the perimeter.

General Art Guidelines:

- CMYK Color Mode
- All Solid Coated Pantone colors should be called out in the art as spot colors
- Embed all images and support files
- Resolution must be 100-120 ppi
- All fonts must be created to outlines
- Do not scale artboard
- Background color/images must bleed to the edge of artboard
- Do not use spot colors from template in your artwork as they will not print



TOP



The diagram illustrates the layout of a page with a white background. A thick gray line runs horizontally across the top and bottom edges, representing the bleed area. A dashed black line runs horizontally across the top and bottom edges, representing the trim line. The word "BOTTOM" is printed in large, bold, gray capital letters in the lower right quadrant. Below it, the text "bleed area" and "trim line" are printed in a smaller gray font, each followed by a short horizontal line segment.

BOTTOM

bleed area

trim line