

Embrace Lite Display

Embrace is a sleek collapsible portable display that delivers style with minimal effort. Embrace Fabric Displays come in a variety of sizes and is offered with or without end caps. Embrace requires no tools for assembly, is lightweight and highly portable. It packs away as easy as it sets up!



features and benefits:

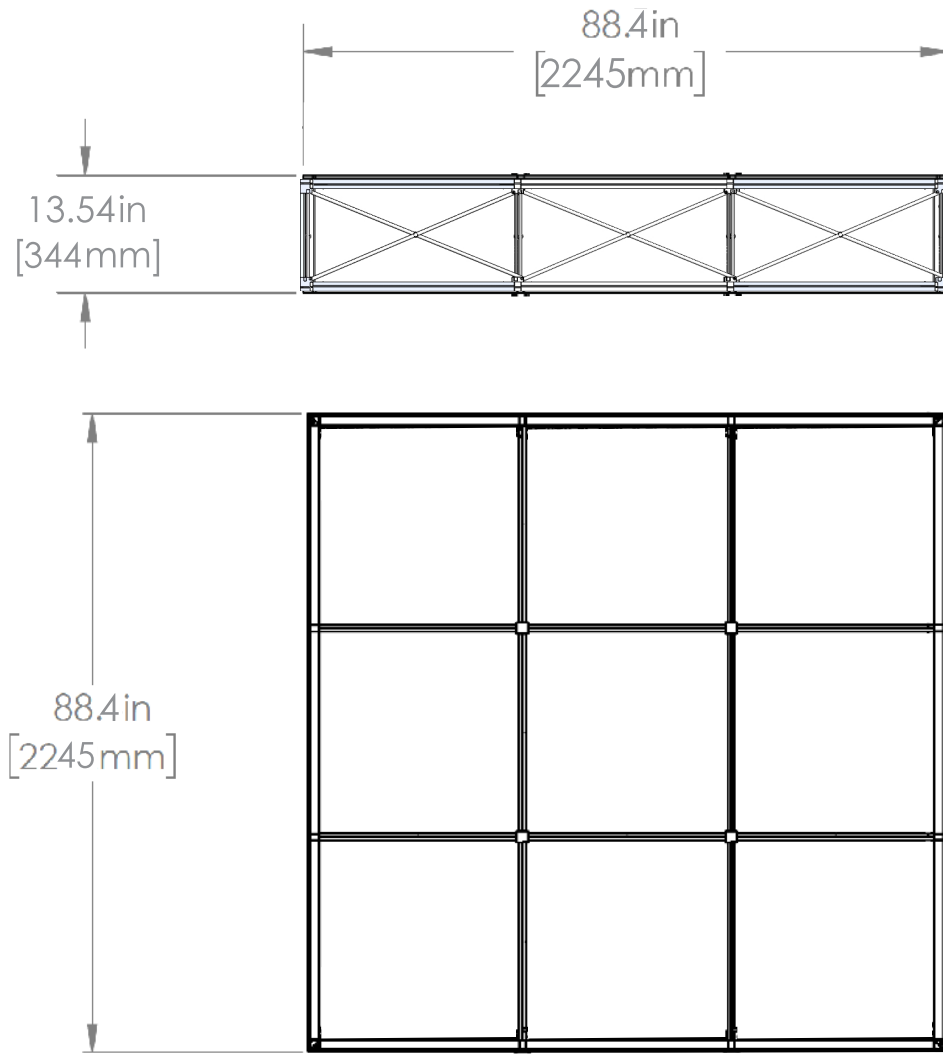
- Lightweight white straight frame
- Adjustable feet on all 3 quad high frames
- Perimeter channel bars on both sides connect to frame and hold push-fit fabric graphics
- Easy to assemble
- Includes end cap channel bars
- Carry bag included
- 1 year hardware warranty against manufacturer defects

dimensions:

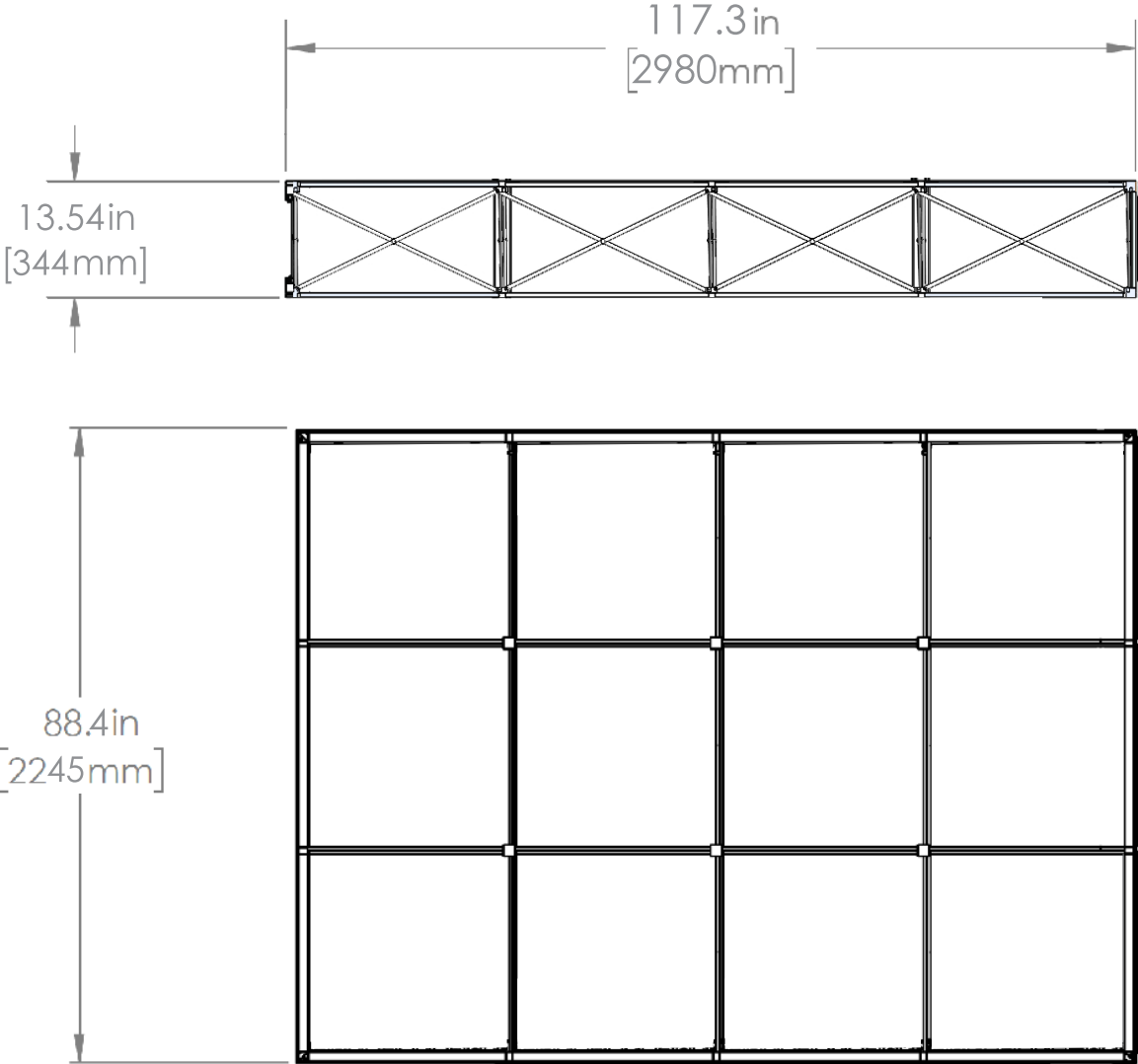
Hardware	Graphic
<p>Assembled unit: 3X3: 88.4" w x 88.4" h x 13.54" d 2245mm(w) x 2245mm(h) x 344mm(d) 4X3: 117.3" w x 88.63" h x 13.54" d 2980mm(w) x 2245mm(h) x 344mm(d)</p> <p>Approximate weight: 3X3: 24 lbs / 11 kg 4X3: 36 lbs / 17 kg</p>	<p>Refer to related graphic template for more information.</p> <p>One year warranty.</p> <p>Visit: https://www.tradeshowplus.com</p>
Shipping	additional information:
<p>Packing case(s): 3X3 and 4X3: 1 Box(es)</p> <p>Shipping dimensions: 34" l x 11" h x 9" d 864mm(l) x 280mm(h) x 229mm(d)</p> <p>Approximate total shipping weight: 3X3: 26 lbs / 12 kg 4X3: 38 lbs / 18 kg</p>	<p>Graphic material: Dye-sublimation SEG push-fit fabric</p> <p>When included in a larger kit, a different packaging solution will be listed to accommodate all contents of the kit. Individual packaging no longer provided.</p>

We are continually improving and modifying our product range and reserve the right to vary the specifications without prior notice. All dimensions and weights quoted are approximate and we accept no responsibility for variance. E&OE. See Graphic Templates for graphic bleed specifications.

Dimensions



Dimensions

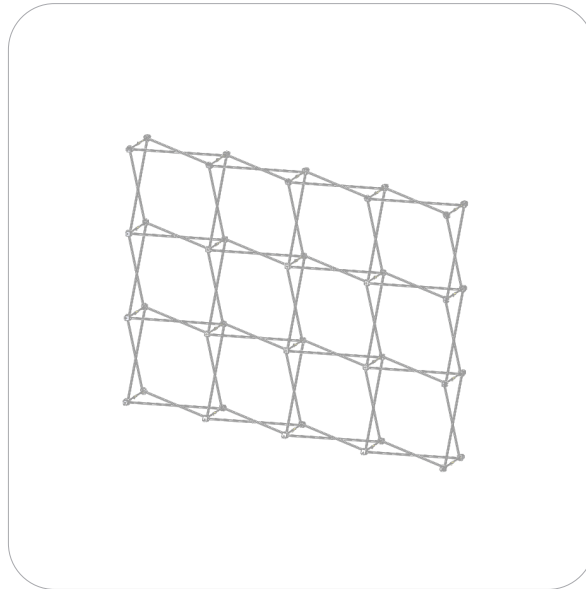
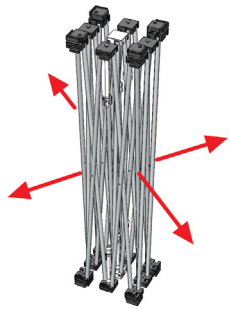


Kit Assembly

Step by Step

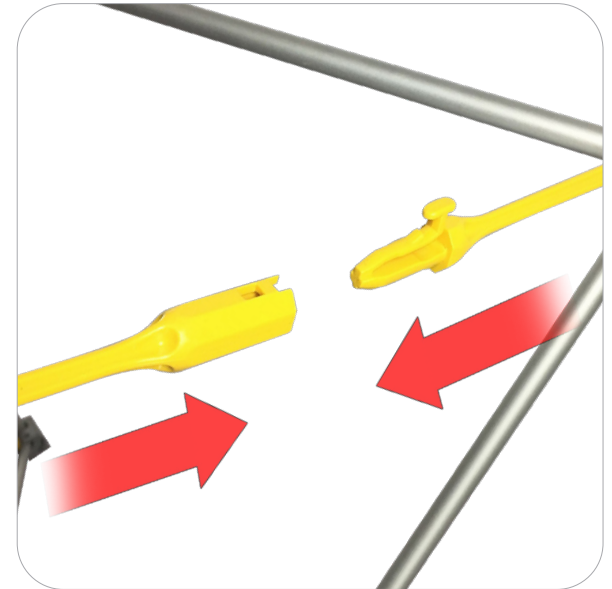
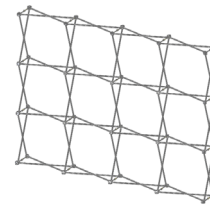
Step 1.

Begin with the scissor frame, expand it flat out on the floor.



Step 2.

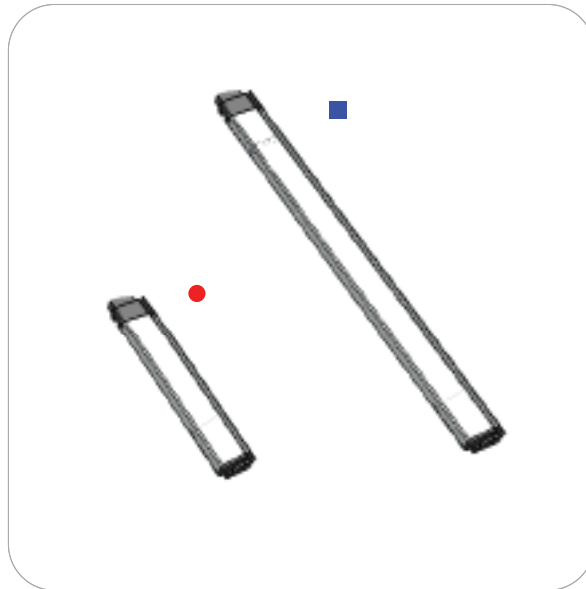
With the frame flat on the floor, snap all the locking arms into place.



Step 3.

Gather all channel bars and end cap channel bars for next step.

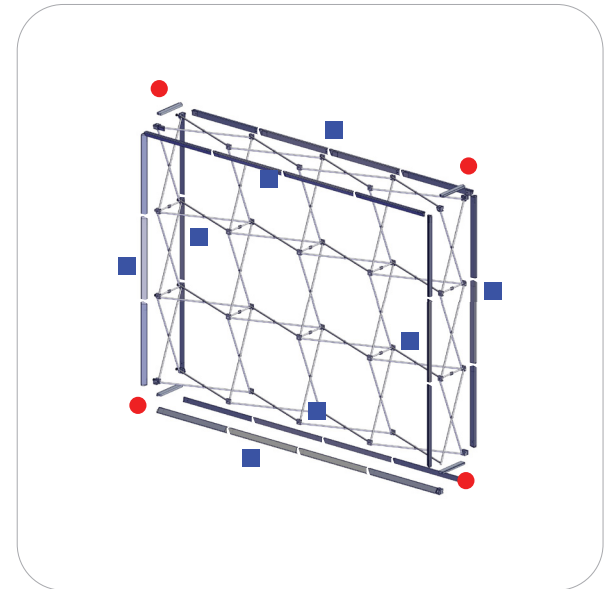
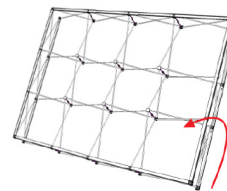
EMB-LITE-CB ■
EMB-LITE-ENDCAP-CP ●



Step 4.

With the frame laid out flat on the floor, carefully attach the channel bars and end cap channel bars onto the front and back side of the frame.

Reference Connection Method(s) 1 and 2 for more details.



Kit Assembly

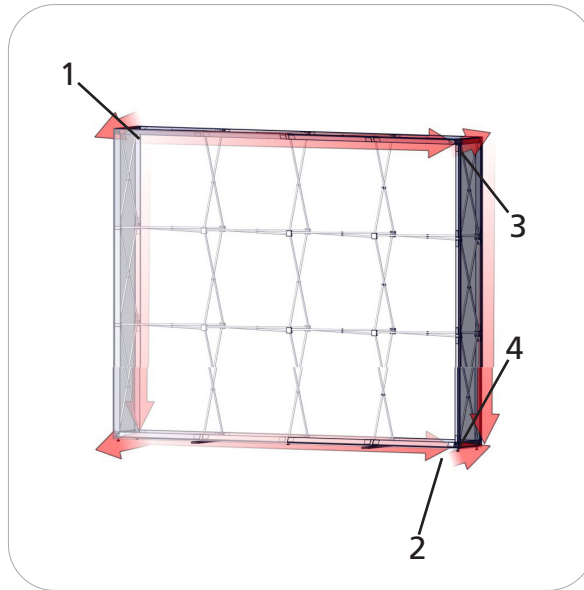
Step by Step

Step 5.

First, take the front graphic with end caps and attach it to the frame. Start at point 1 and work the silicon edge into the channel bars ending at point 2.

Then, take the end cap and fold it back towards the back channel starting at point 3. Work the silicon edge down to point 4. Do the same for the opposite end cap.

Reference Connection Method(s) 3 for more details.



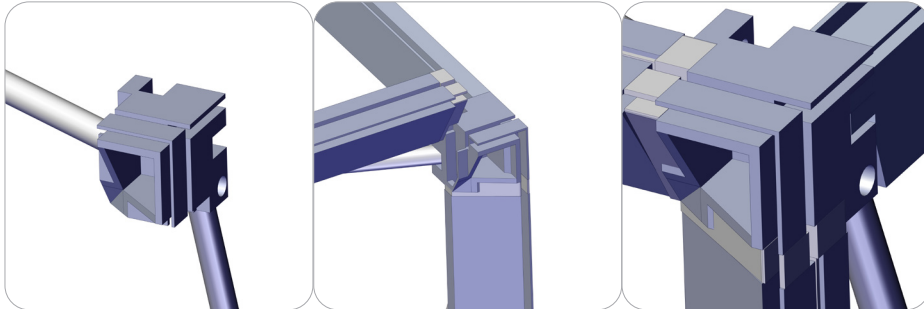
Step 7.

Setup is complete.



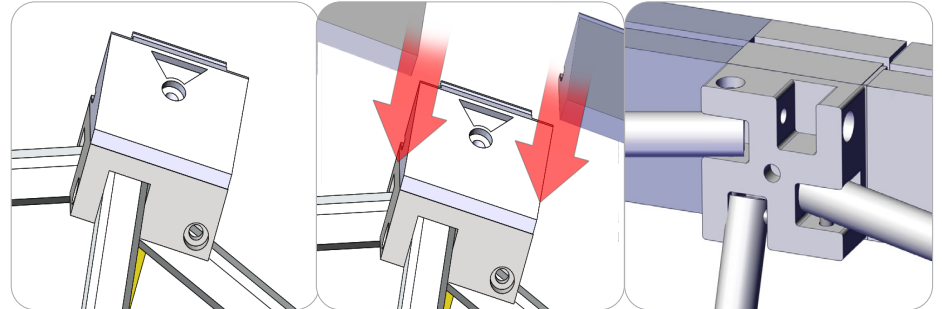
Connection Methods & Notes

Connection Method 1: Corner Hub & End Cap



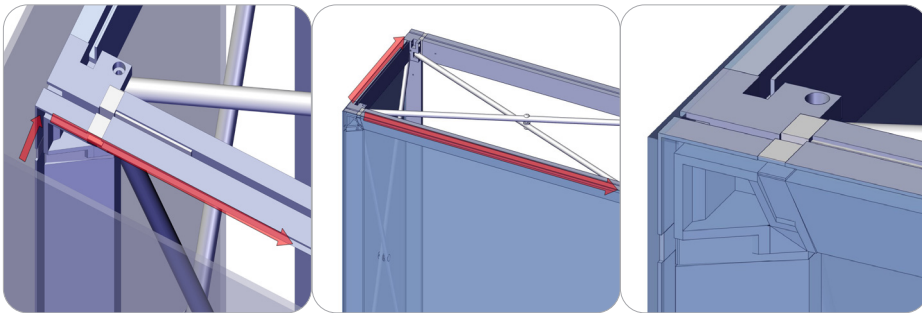
The scissor frames will have this corner hub installed on all four corners, front and back of the frame. This corner hub takes the end caps of the channel bars. The end caps of the channel bar will snap into place.

Connection Method 2: Middle Hub & Middle Cap

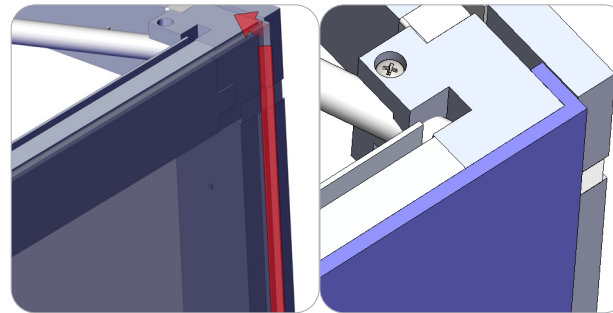


The scissor frames will have middle hubs installed on all four sides front and left and right sides of back. Attach the middle caps of the channel bars onto the middle hubs. The middle caps of the channel bar will snap into place.

Connection Method 3: Silicon Edge Graphics



To apply the silicone edge graphic, start by pressing the SEG into the top left corner hub of the frame. Continue to press the SEG into the extrusion bar fabric channel. Keep pressing the SEG into the bar fabric channel until you make down to the bottom right corner hub of the frame. This also works for the second printed graphic option on the back side of the frame when horizontal channel bars are installed.



As an optional feature, the front printed graphic may have end cap graphics with silicone edge. Pull the end cap silicone edge to the top of the back corner hub. Start to press in the SEG into the hub and work your way down the side channel. Do the same for the opposite end cap.