

Embrace 2 Counter

The Embrace counter is a sleek, collapsible push-fit tension fabric counter that delivers style with minimal effort. The Embrace counter pairs a collapsible, white frame and channel bars that hold push-fit SEG fabric graphics. A white internal shelf provides additional storage space. The counter is finished with a laminated counter top for a sleek appearance. Embrace Counter requires no tools for assembly, is lightweight and highly portable. It packs away as easy as it sets up!



features and benefits:

- Collapsible display counter
- Top available in five laminate finish options
- Supports max 50 lbs
- Quick to set-up
- SEG dye-sublimation graphics
- Includes white internal shelf, which supports 10 lbs
- Carry bag included
- Easy to store and ship
- Lifetime hardware warranty

dimensions:

Hardware

Graphic

Assembled unit:
41" w x 40.5" h x 15.75" d
1042mm(w) x 1029mm(h) x 401mm(d)

Refer to related graphic template for more information.

Approximate weight:
Standard: 27 lbs / 13 kg
Backlit: 30 lbs / 14 kg

One year warranty.

Visit:
www.tradeshowplus.com

Shipping

additional information:

Packing case(s):
1 Box(es)

Graphic material:
Dye-sublimation SEG push-fit fabric

Shipping dimensions:
47" l x 19" h x 8" d
1194mm(l) x 483mm(h) x 204mm(d)

When included in a larger kit, a different packaging solution will be listed to accommodate all contents of the kit. Individual packaging no longer provided.

Approximate total shipping weight:
Standard: 28 lbs / 13 kg
Backlit: 31 lbs / 15 kg

Tabletop Colors:



silver



mahogany



natural



black

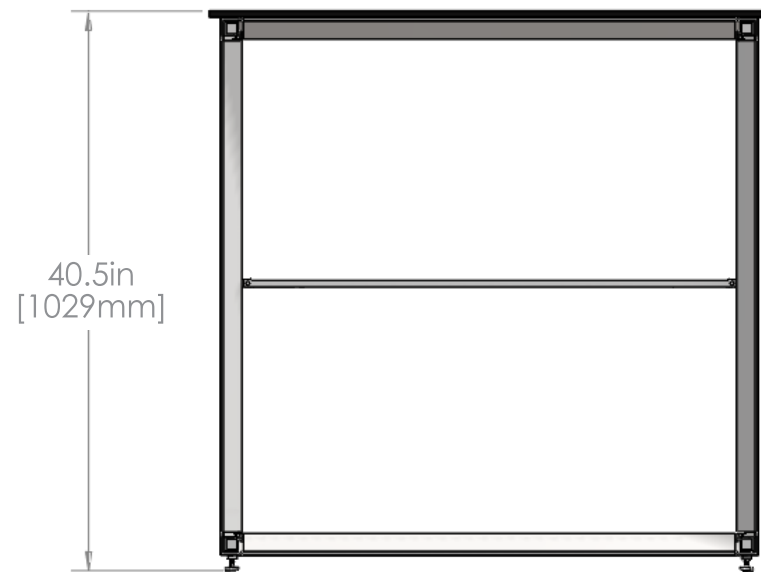
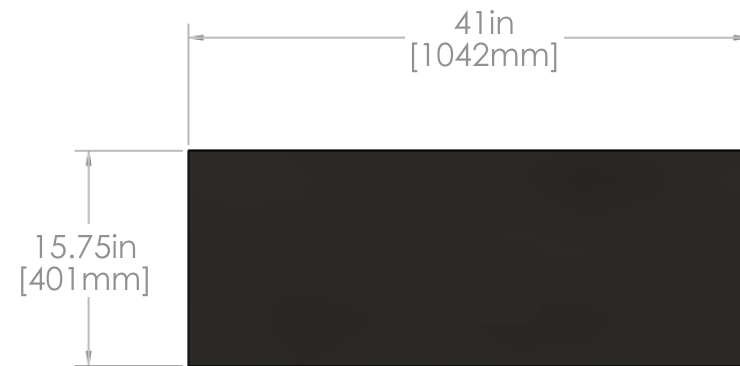


white

Optional light kit to backlit sold separately:
(requires different graphic material)

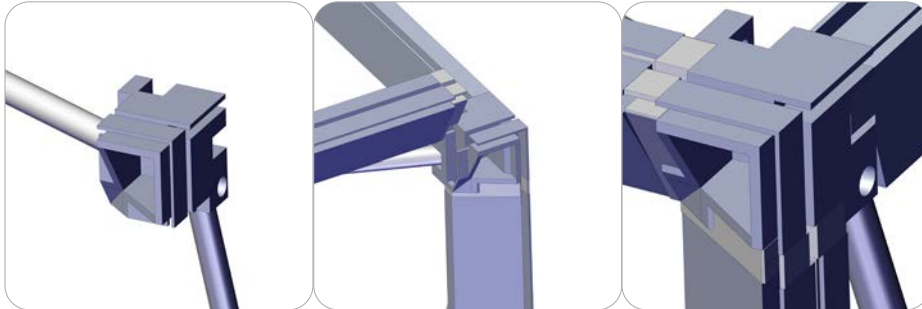
We are continually improving and modifying our product range and reserve the right to vary the specifications without prior notice. All dimensions and weights quoted are approximate and we accept no responsibility for variance. E&OE. See Graphic Templates for graphic bleed specifications.

Dimensions



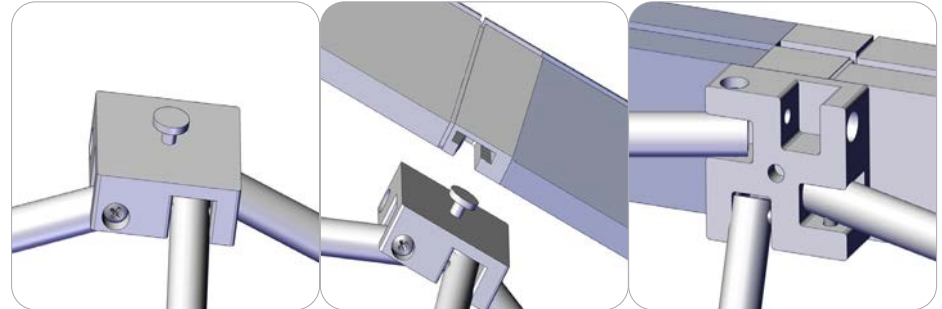
Connection Methods & Notes

Connection Method 1: Corner Hub & End Cap



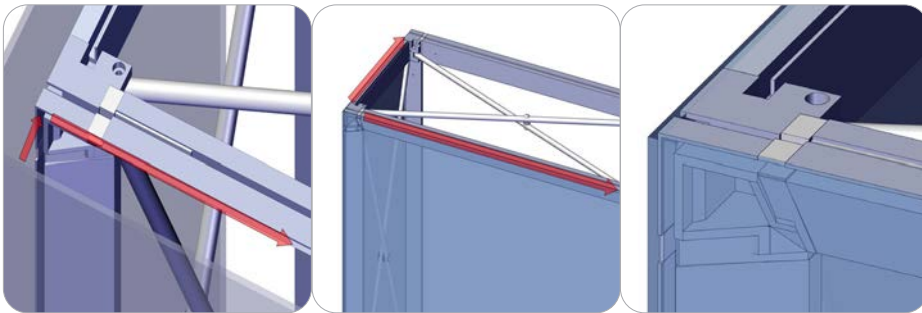
The scissor frames will have this corner hub installed on all four corners, front and back of the frame. This corner hub takes the end caps of the channel bars. The end caps of the channel bar will snap into place.

Connection Method 2: Middle Hub & Middle Cap

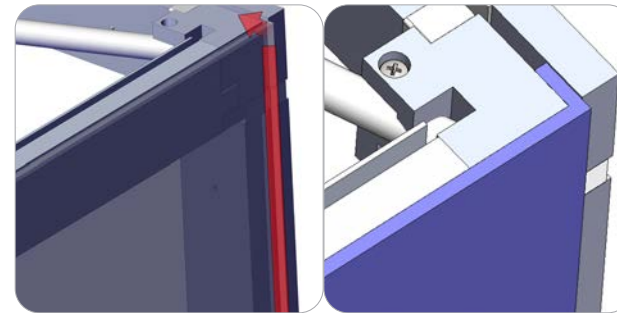


The scissor frames will have middle hubs with a metal prong installed on all four sides front and left and right sides of back. Attach the middle caps of the channel bars onto the middle hubs. The middle caps of the channel bar will snap into place.

Connection Method 3: Silicon Edge Graphics



To apply the silicone edge graphic, start by pressing the SEG into the top left corner hub of the frame. Continue to press the SEG into the extrusion bar fabric channel. Keep pressing the SEG into the bar fabric channel until you make down to the bottom right corner hub of the frame. This also works for the second printed graphic option on the back side of the frame when horizontal channel bars are installed.



As an optional feature, the front printed graphic may have end cap graphics with silicone edge. Pull the end cap silicone edge to the top of the back corner hub. Start to press in the SEG into the hub and work your way down the side channel. Do the same for the opposite end cap.

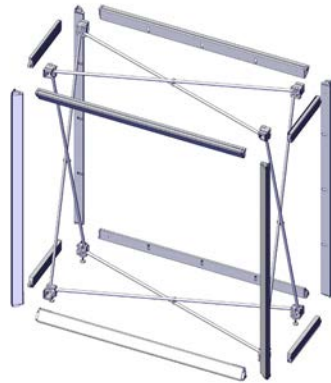
Kit Assembly

Step by Step

Step 1.

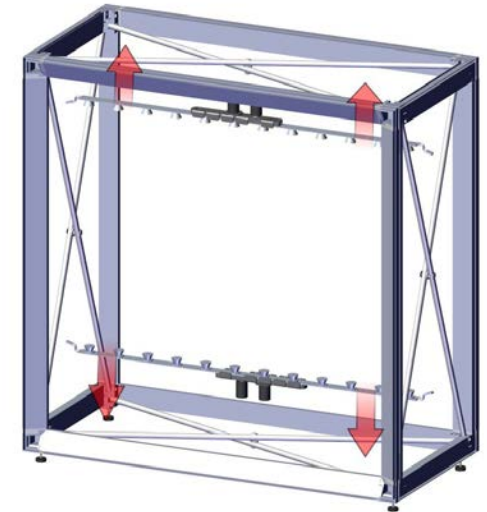
Gather the components to build the Frame. Use the Exploded View and the Labeling Diagram for part labels.

Reference Connection Method(s) 1, 2 for more details..



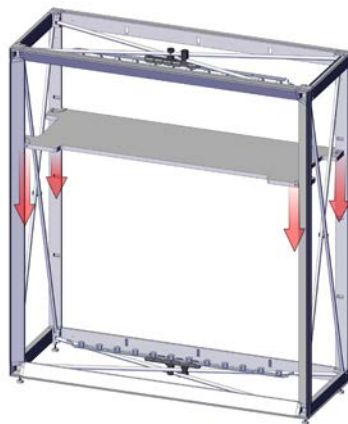
Step 2. Optional

Gather needed components to install lighting. This is an optional step. Only needed with backlit kits.



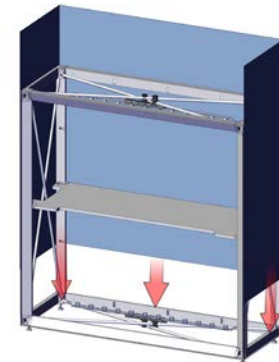
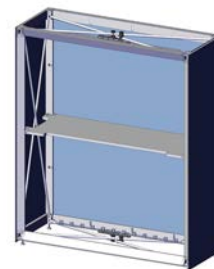
Step 3. Optional

Gather needed components to install Inner shelf.



Step 4.

Install graphic. Start at one side and slowly work your way to opposite side of frame. Push fit.



Kit Assembly

Step by Step

Step 5.

Gather the components to attach counter top. Use the Exploded View and the Labeling Diagram for part labels.

Reference Connection Method(s)



Setup Complete