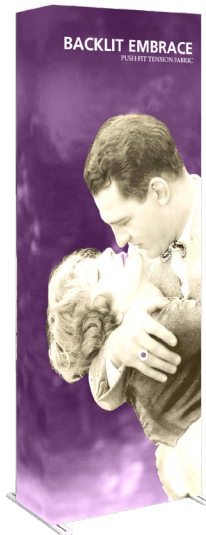


# Embrace 2.5ft Backlit Display

The Embrace 2.5ft full height (1 Quad x 3 Quad) backlit push-fit fabric display is a sleek illuminated collapsible display. The Backlit Embrace makes it simple to make a big impact in minutes with easy-to-attach patent-pending LED lighting and a push-fit backlit graphic that attaches to channel bars around the perimeter of the frame. Simply attach lights to the collapsible frame and insert the graphic into the channel bars for an impactful illuminated display solution! Graphics available as single or double-sided with endcaps. No tools are required for assembly. A protective molded case for storage and transport are included. Option available to purchase frame, LED lights and case only.



## features and benefits:

- Lightweight 2.5ft wide (1 quad x 3 quad) straight white frame
- Perimeter channel bars connect to frame and hold push-fit backlit fabric graphics
- LED lights easily attach to collapsible frame
- Premium backlit fabric graphic with SEG beading offered as single or double sided
- Rear diffuser graphic panel for single-sided units
- LED lights\* and power supply included
- Comes in a molded, wheeled OCX case
- Lifetime hardware warranty against manufacturer defects

## dimensions:

### Hardware

Assembled unit:  
31.25" w x 88.94" h x 23.25" d  
794mm(w) x 2260mm(h) x 591mm(d)

Approximate weight:  
45 lbs / 20 kg

### Graphic

Refer to related graphic template for more information.

One year warranty.

Visit:  
[www.tradeshowplus.com](http://www.tradeshowplus.com)

### Shipping

Packing case(s):  
1 OCX (can ship FedEx or UPS)

Shipping dimensions:  
40" l x 27" h x 18" d  
1016mm(l) x 686mm(h) x 457mm(d)

Approximate total shipping weight:  
75 lbs / 33 kg

## additional information:

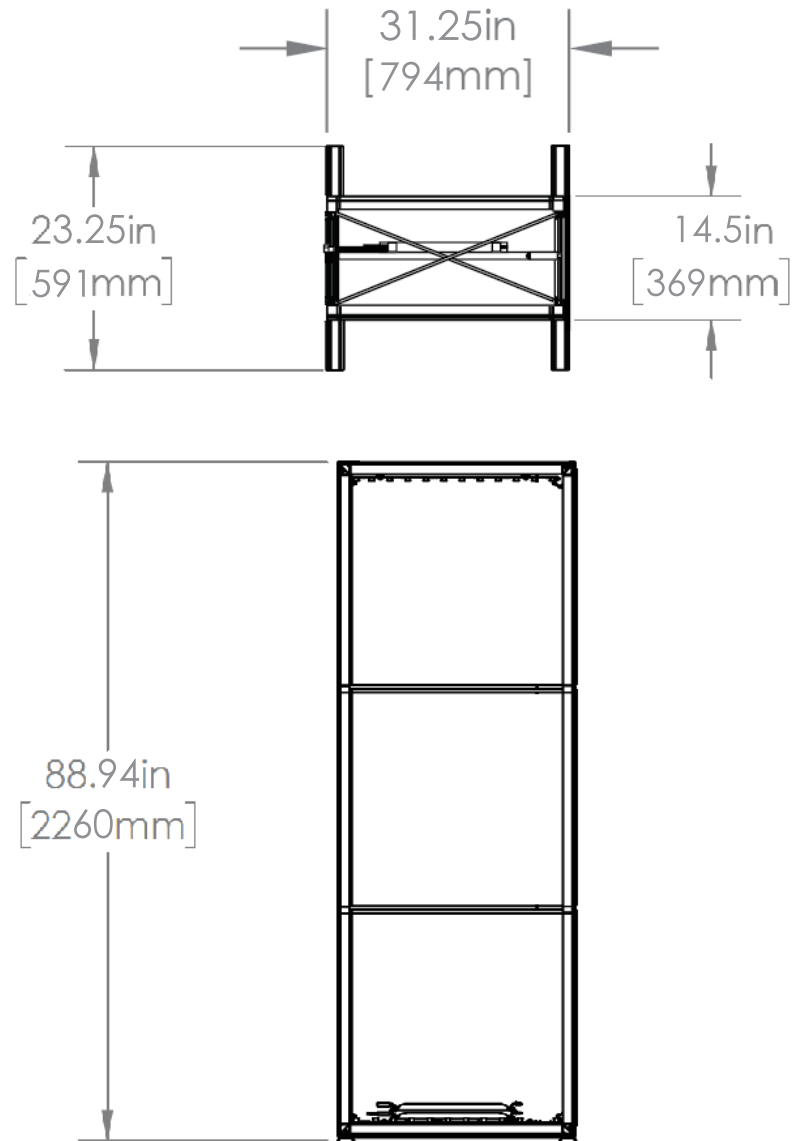
When included in a larger kit, a different packaging solution will be listed to accommodate all contents of the kit. Individual packaging no longer provided.

\*Lights have a one year limited warranty.

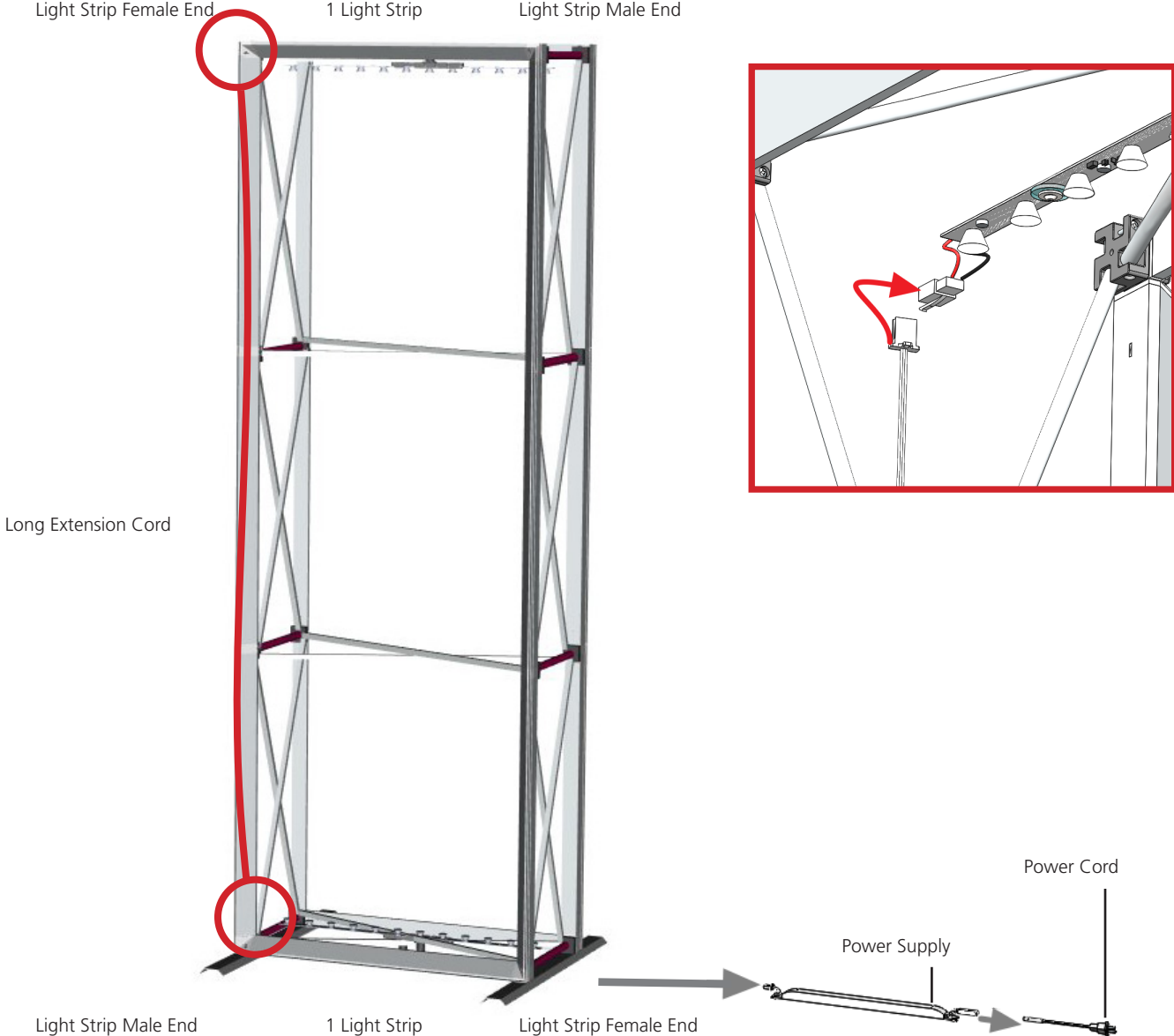
Backlit kits cannot be used for stacking. Do not attempt to connect frames with stacking connectors.

We are continually improving and modifying our product range and reserve the right to vary the specifications without prior notice. All dimensions and weights quoted are approximate and we accept no responsibility for variance. E&OE. See Graphic Templates for graphic bleed specifications.

# Dimensions



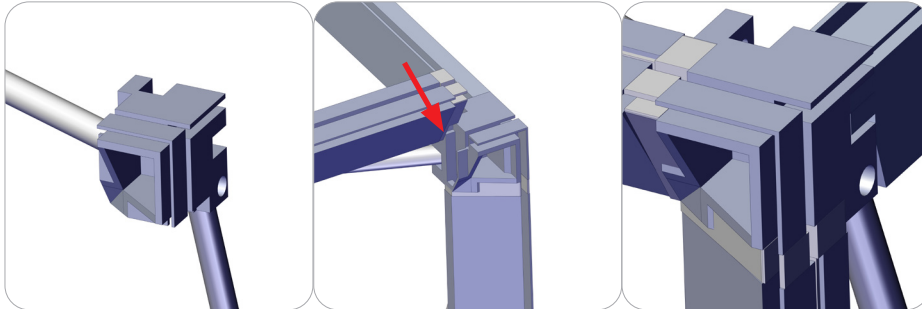
# Internal Lighting Diagram



The power cord connects directly to the power supply. No extension cords are necessary.

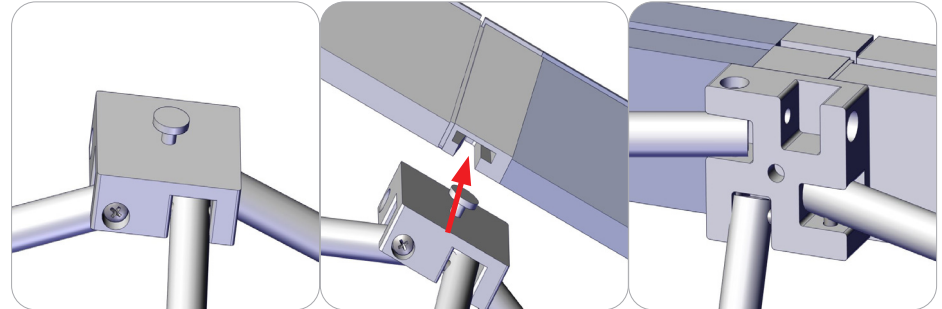
# Connection Methods & Notes

## Connection Method 1: Corner Hub & End Cap



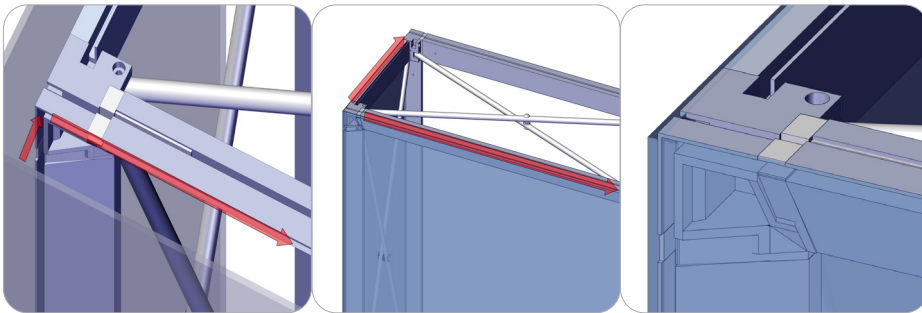
The scissor frames will have this corner hub installed on all four corners, front and back of the frame. This corner hub takes the end caps of the channel bars. The end caps of the channel bar will snap into place.

## Connection Method 2: Middle Hub & Middle Cap

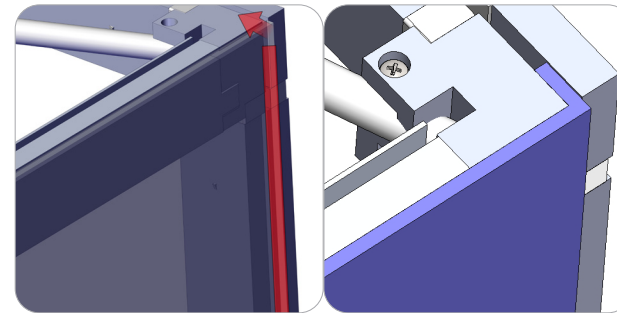


The scissor frames will have middle hubs with a metal prong installed on all four sides front and left and right sides of back. Attach the middle caps of the channel bars onto the middle hubs. The middle caps of the channel bar will snap into place.

## Connection Method 3: Silicon Edge Graphics



To apply the silicone edge graphic, start by pressing the SEG into the top left corner hub of the frame. Continue to press the SEG into the extrusion bar fabric channel. Keep pressing the SEG into the bar fabric channel until you make down to the bottom right corner hub of the frame. This also works for the second printed graphic option on the back side of the frame when horizontal channel bars are installed.

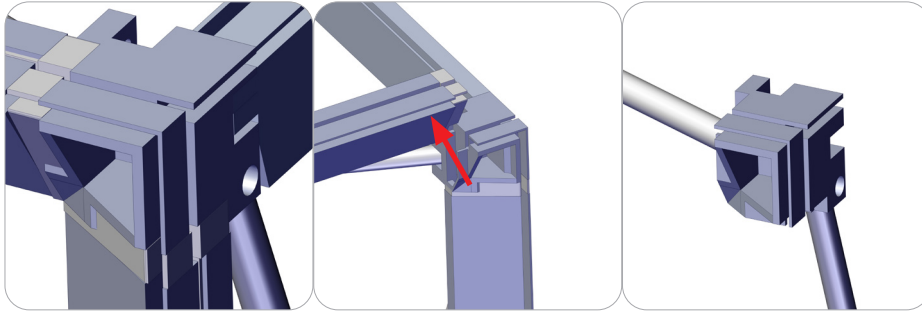


As an optional feature, the front printed graphic may have end cap graphics with silicone edge. Pull the end cap silicone edge to the top of the back corner hub. Start to press in the SEG into the hub and work your way down the side channel. Do the same for the opposite end cap.

# Channel Bar Conversion

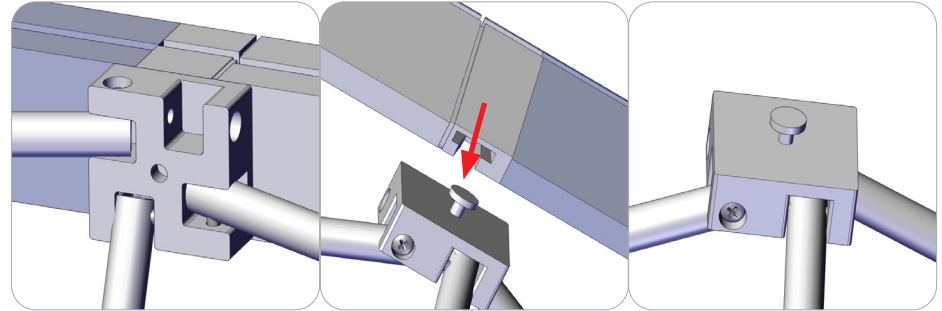
Use this instruction if you are converting your frame from Backlit to Standard.

## Channel Bar removal from the Corner Hubs



To remove the channel bars, start by pulling the end caps off the corner hubs.

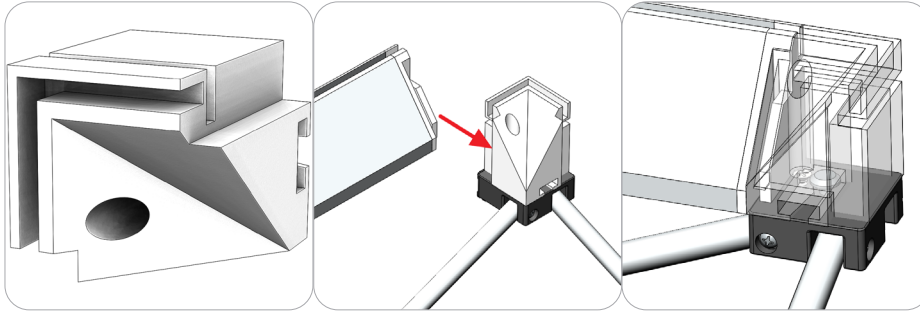
## Channel Bar removal from the Middle Hubs



Continue to remove the channel bars by pulling the channel caps off the middle hubs.

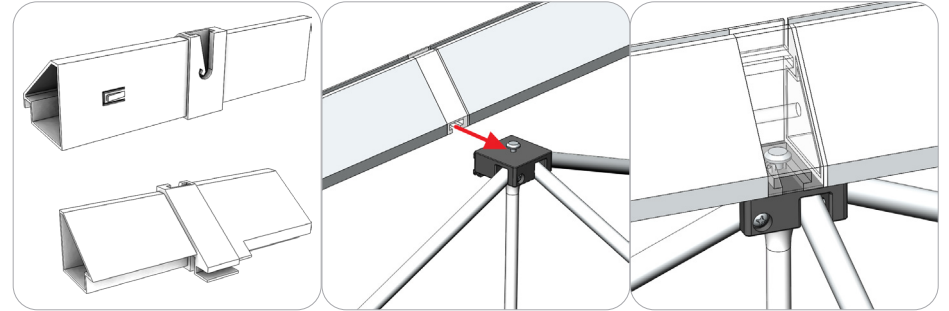
# Connection Methods

## Connection Method 1: Corner Hub & End Cap



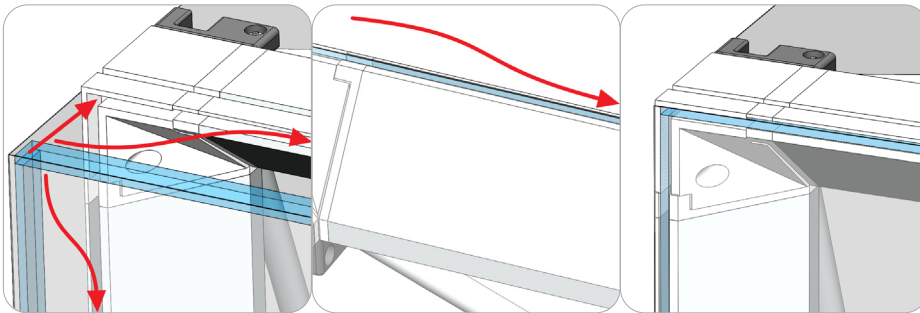
The back-lit frames will have this corner hub installed on all four corners, front and back of the frame. This corner hub takes the end caps of the back-lit channel bars. The end caps of the channel bar will snap into place.

## Connection Method 2: Middle Hub & Middle Cap

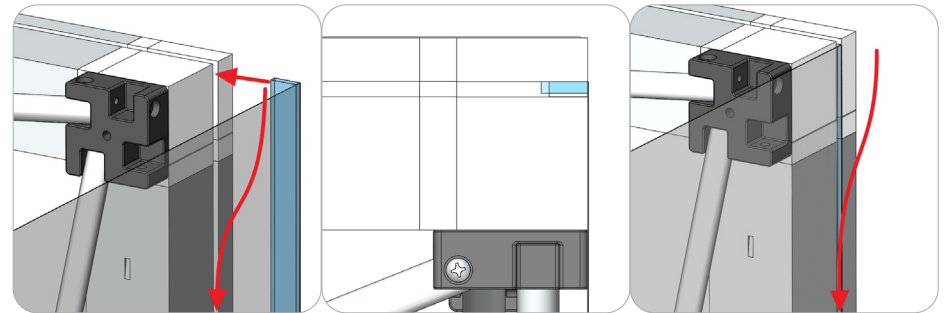


The back-lit scissor frames will have middle hubs with a metal prong installed on all four sides front and back. Attach the middle caps of the back-lit channel bars onto the middle hubs. The middle caps of the channel bar will snap into place.

## Connection Method 3: Silicon Edge Graphics



To apply the silicone edge graphic, start by pressing the SEG into the top left corner hub of the frame. Continue to press the SEG into the extrusion bar fabric channel. Keep pressing the SEG into the bar fabric channel until you make down to the bottom right corner hub of the frame. This also works for the opaque liner or the second printed graphic option on the back side of the frame.



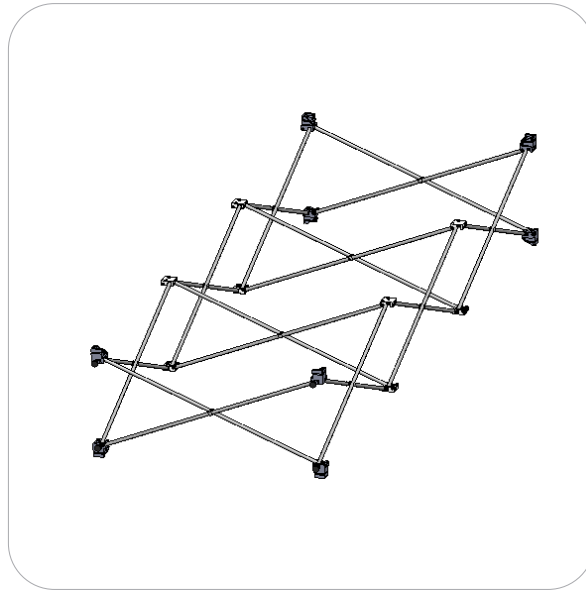
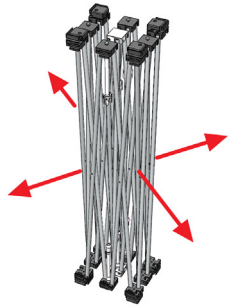
The front printed graphic will also have end cap graphics with silicone edge. Pull the end cap silicone edge to the top of the back corner hub. Start to press in the SEG into the hub and work your way down the side channel. Do the same for the opposite end cap.

# Kit Assembly

## Step by Step

### Step 1.

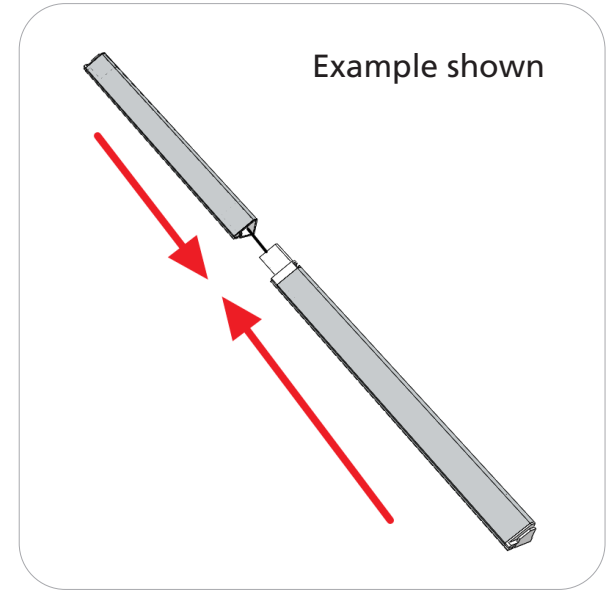
Begin with the back-lit scissor frame and expand it flat out on the floor.



### Step 2.

Gather all the bungee channel bars and slide them together.

EMB-BL-CB-1  
EMB-BL-CB-3



### Step 3.

With the frame laid out flat on the floor, carefully attach the channel bars onto the front and back side of the frame.

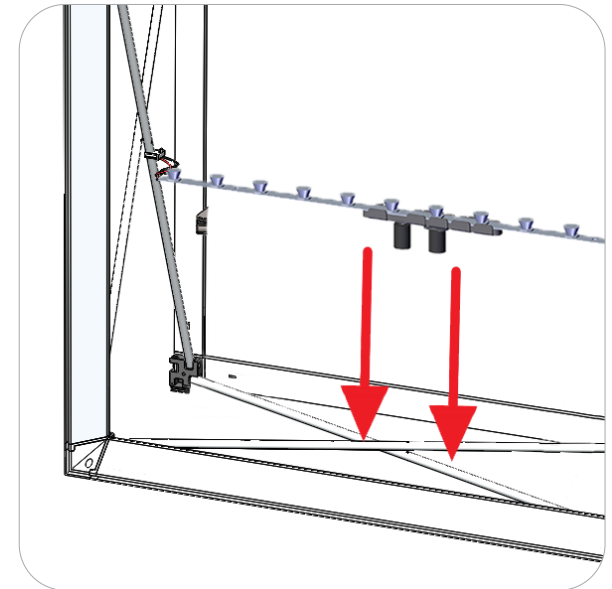
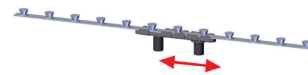
Reference Connection Method(s)  
1 and 2 for more details.



### Step 4.

Gather all the lighting strips and align so they are over each "X" of the frame, then pull the spring-loaded clip apart to fit onto the "X". Make sure the orientation of the male and female connectors allows for linking them together.

Refer to the Internal Lighting  
Diagram for your frame size and  
more details.

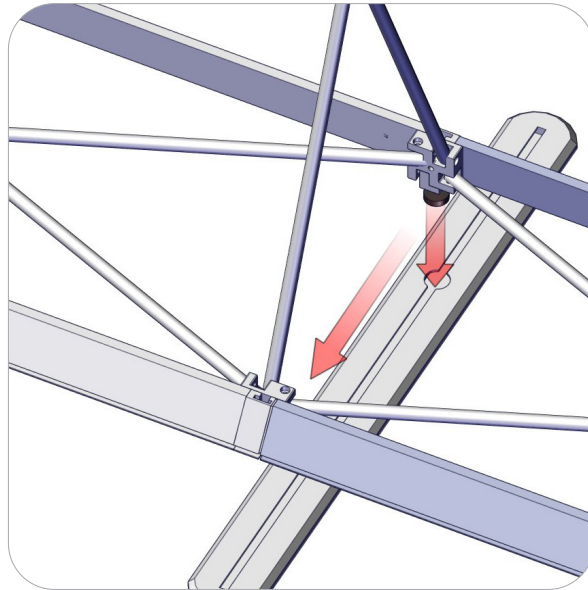
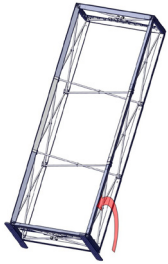


# Kit Assembly

## Step by Step

### Step 5.

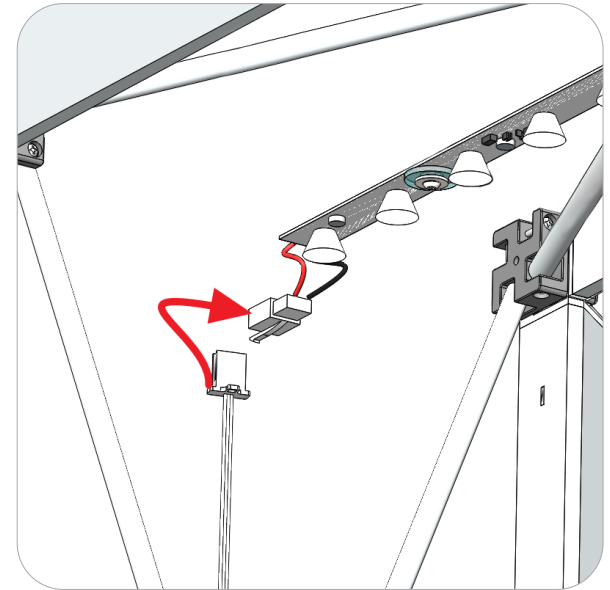
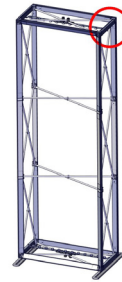
Attach the stabilizing bases on the frames that are 3 quads high or taller. Secure them in place while you stand the frame upright.



### Step 8.

Connect the long extension cord to the female end of the top light strips in series. Run the long extension cord down the side.

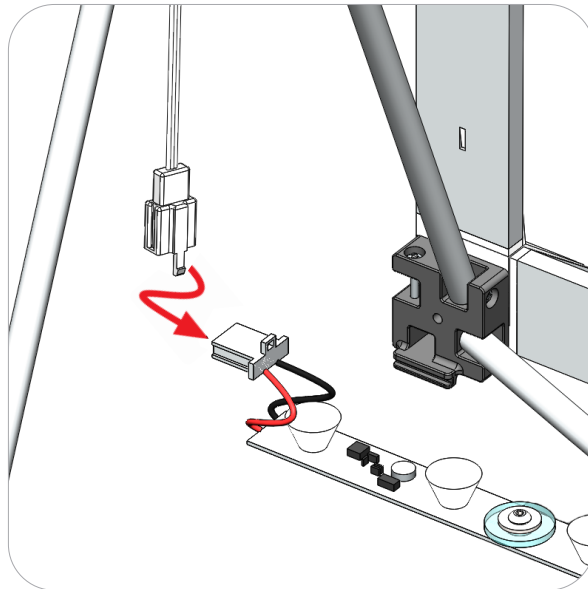
Refer to the Internal Lighting Diagram for your frame size and more details.



### Step 9.

First, attach the extension cord from the top row of lights to bottom row of lights.

Refer to the Internal Lighting Diagram for your frame size and more details.

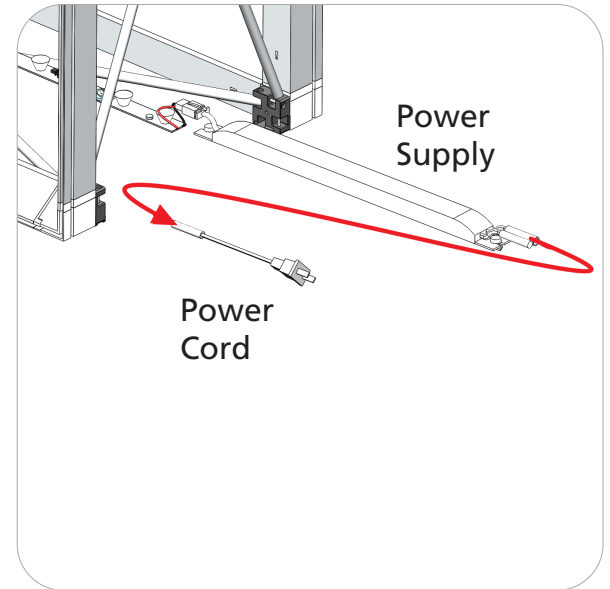


### Step 10.

Attach the light strip to the power supply. Then, attach the power cord to the power supply.

Refer to the Internal Lighting Diagram for your frame size and more details.

Plug in the power cord for test lighting.





# Kit Assembly

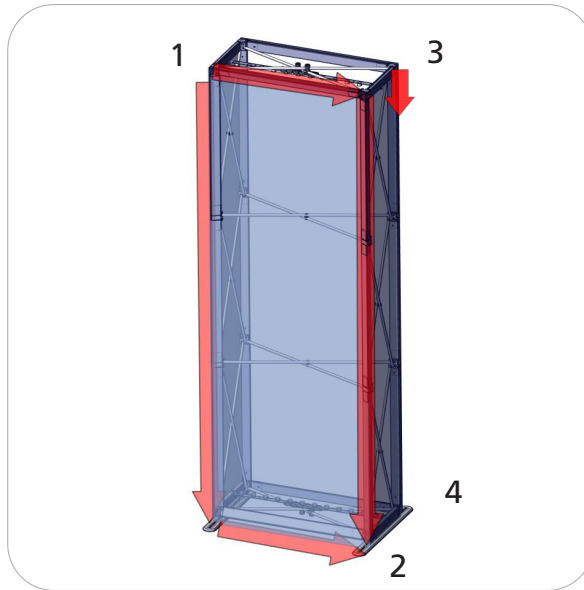
## Step by Step

### Step 11.

First, take the front graphic with end caps and attach it to the frame. Start at point 1 and work the silicon edge into the channel bars ending at point 2.

Then, take the end cap and fold it back towards the back channel starting at point 3. Work the silicon edge down to point 4. Do the same for the opposite end cap.

Reference Connection Method 3 for more details.

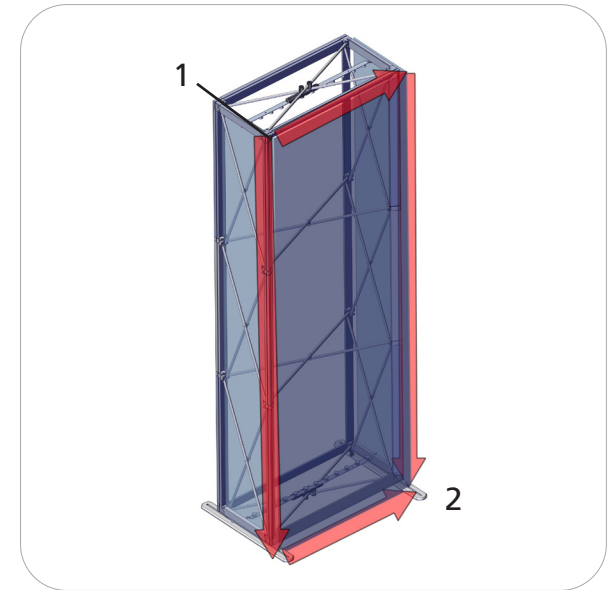


### Step 12.

Take the back opaque liner or graphic and attach it to the frame. Start at point 1 and work the silicon edge into the channel bars ending at point 2.

You can leave the power supplies inside the unit. The power cable can be pulled out from the under side.

Reference Connection Method 3 for more details.



### Step 13.

Setup is complete.

