

Dragonfly Double Sided Banner Stand

Dragonfly is a double-sided roller banner stand with sturdy base and bungee pole. This banner stand is very compact and features a sleek silver base with swivel feet for stability. Graphic width measures 33.25", with graphic height measuring at 79".



features and benefits:

- Anodized silver base
- Molded end caps
- Three-piece bungee pole
- Snap top graphic rail
- Swivel out feet
- 90 day hardware limited warranty against manufacturer defects

dimensions:

Hardware

Graphic

Assembled unit:
34.25" w x 83" h x 15.75" d
870mm(w) x 2109mm(h) x 401mm(d)

Refer to related graphic template for more information.

Approximate weight:
12 lbs / 6 kg

Visit:
www.tradeshowplus.com

Shipping

additional information:

1 Box(es):
37" l x 8" h x 5" d
940mm(l) x 204mm(h) x 127mm(d)

Graphic material:
Standard anti-curl vinyl, premium fabric,
supreme melinex

Approximate total shipping weight:
14 lbs / 7 kg

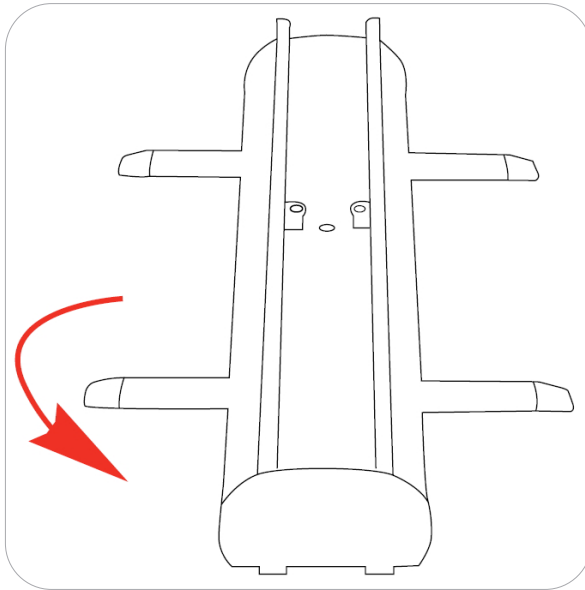
We are continually improving and modifying our product range and reserve the right to vary the specifications without prior notice. All dimensions and weights quoted are approximate and we accept no responsibility for variance. E&OE. See Graphic Templates for graphic bleed specifications.

Kit Assembly

Step by Step

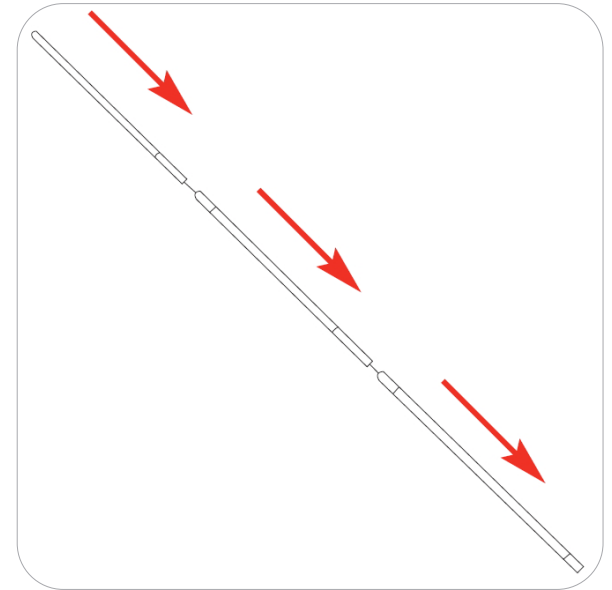
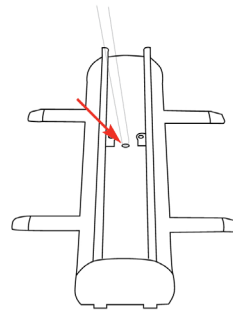
Step 1.

Remove the base with stabilizing feet from the carry bag. Rotate the swivel feet from the under side into parallel position.



Step 2.

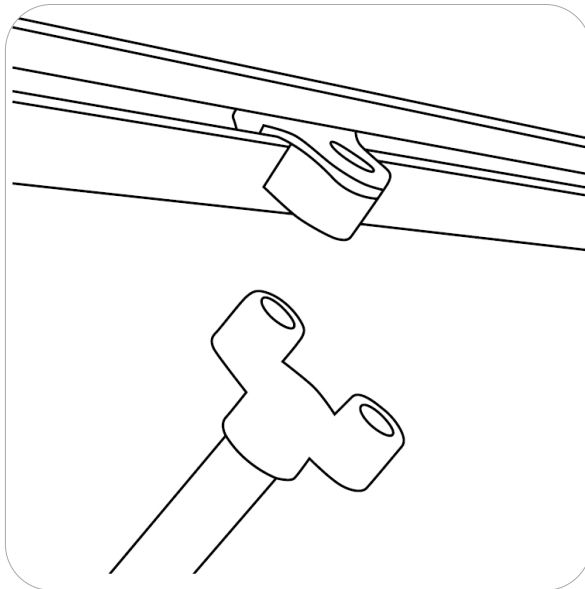
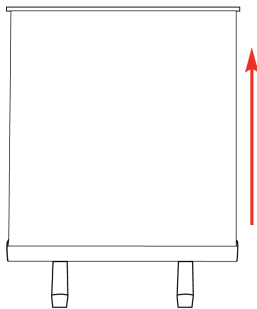
Take the three piece bungee pole and assemble it. Insert swage end of the pole into the top of the base.



Step 3.

With the bungee pole in place, carefully pull the graphic by the rail and attach it to the doubler cap at the top end of the bungee pole.

Repeat this step for double-sided option.



Step 4.

Setup is complete.

