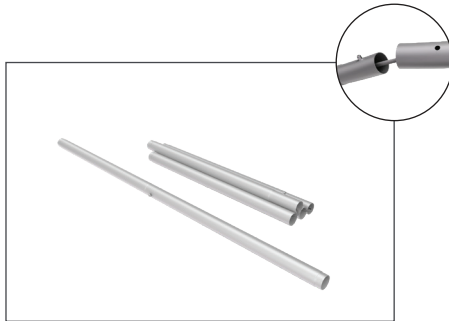
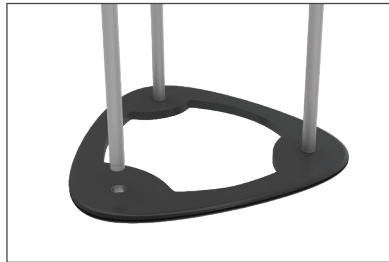


BRANDCUSI TRIANGLE TOWER

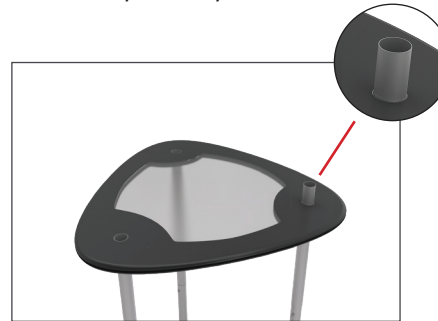
Step 1: Remove the counter from the molded soft case. Extend and lock the support poles.



Step 2: Place the 3 poles with the holes facing up.



Step 3: Place counter top onto poles. Tap down with hand until top rests securely on push buttons and the top of the poles stick out.



Step 4: Slide fabric graphic wrap onto hardware. Center align zipper on back of counter.



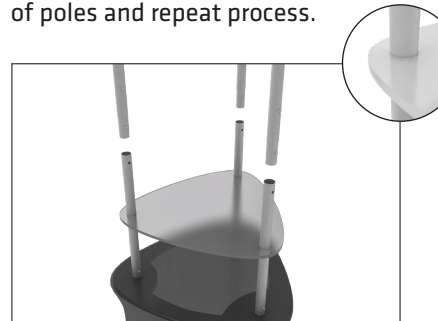
Step 5: Angle and tuck gasket into channel in edge of counter top. Insert graphic gasket all the way around.



Step 6: Turn counter upside-down. Pull graphic taut and angle and tuck gasket into channel in edge of base. Insert graphic gasket all the way around.



Step 7: Secure the first two sections of poles into the top. Slide first shelf onto poles until they rest on push button. Insert the next section of poles and repeat process.



Step 8: Complete.



STORAGE:

The zipper on the back is used to access storage.