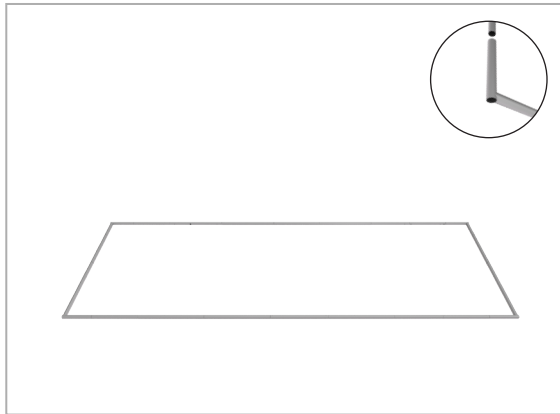


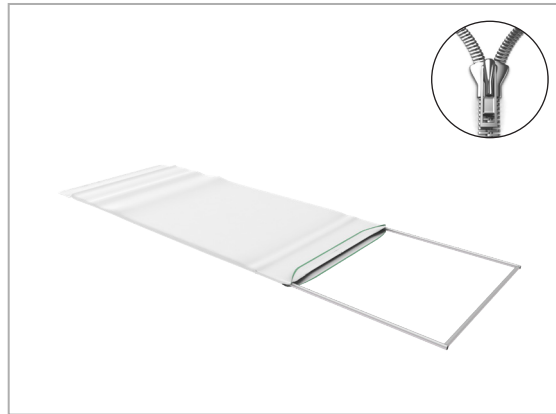
# Set Up Instructions

# BLIMP TRIANGLE ROTATING TOWER

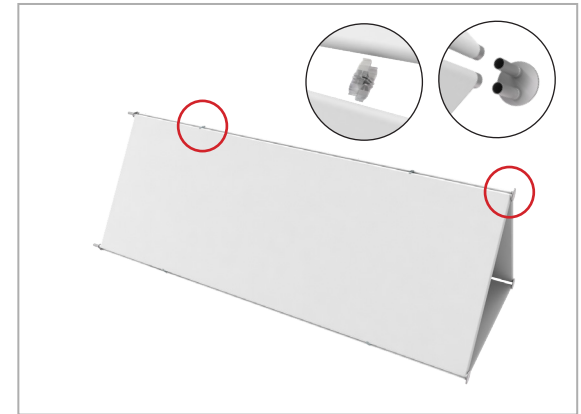
**Step 1:** Assemble the different flat frame sections by pushing and pulling pipes together. Place open holes in corners facing top and bottom of frame. (x3)



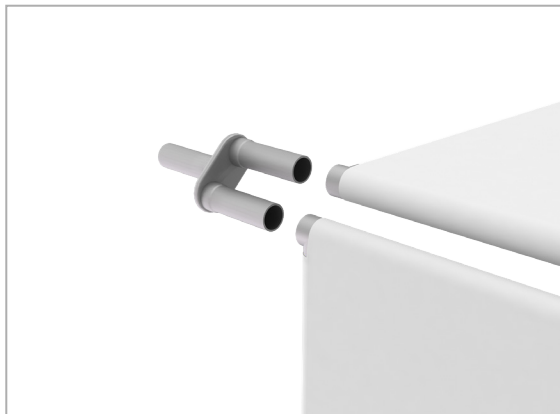
**Step 2:** Unzip print and lay image face up. Slide print onto frame like a pillow case. Pinch graphic closed at bottom to zip up. (x3)



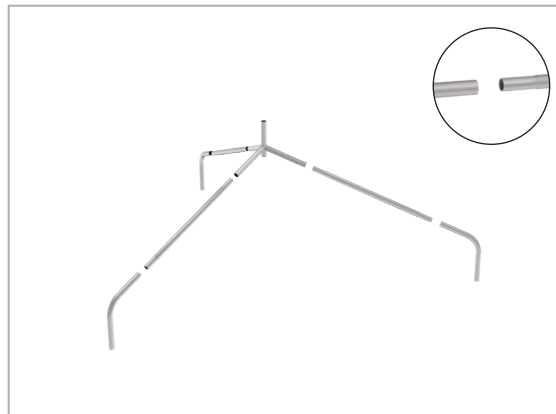
**Step 3:** Install bottom feet by joining two panels together and inserting dual posts into bottom of frame corners. Install connector clips between panels for stability. (x3)



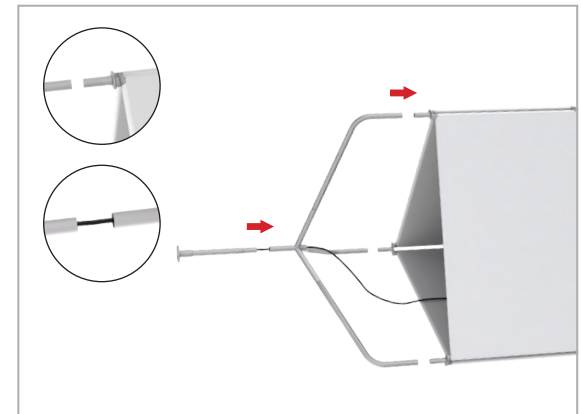
**Step 4:** Install top support posts by joining two panels together and inserting dual posts into bottom of frame corners. (x3)



**Step 5:** Assemble canopy frame by pushing and pulling frames together.



**Step 6:** Connect canopy frame to the tower. Insert center carousel pole by running the power cord down through the canopy frame center pole and pushing into place.

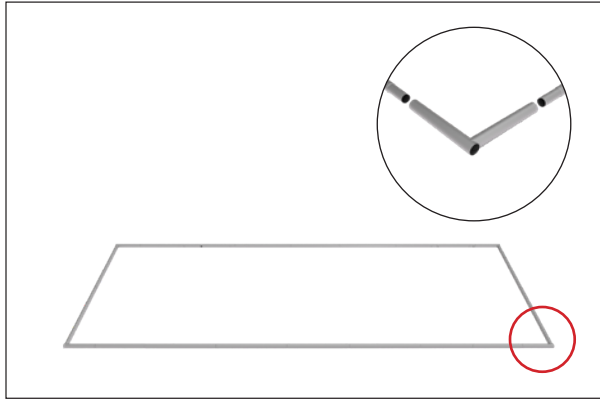


**CONTINUED...**

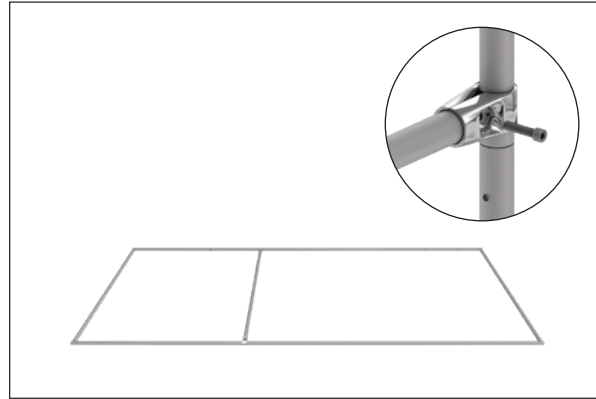
# Set Up Instructions

# OPTIONAL BLIMP TOWER MONITOR MOUNT (WLT-P-138)

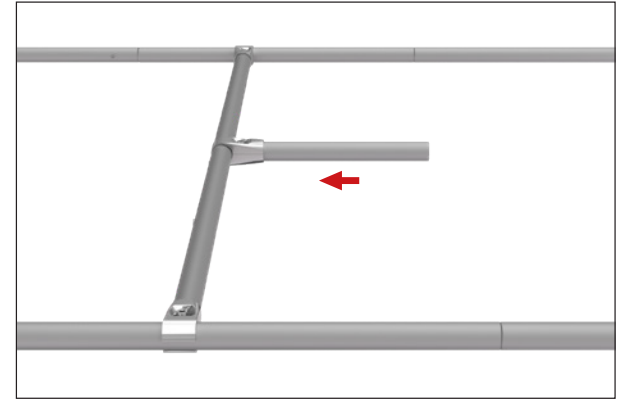
**Step 1:** Assemble straight poles by pressing and pushing together. Connect all corner sections to straight sections. Face holes of 90° corners towards the bottom of frame.



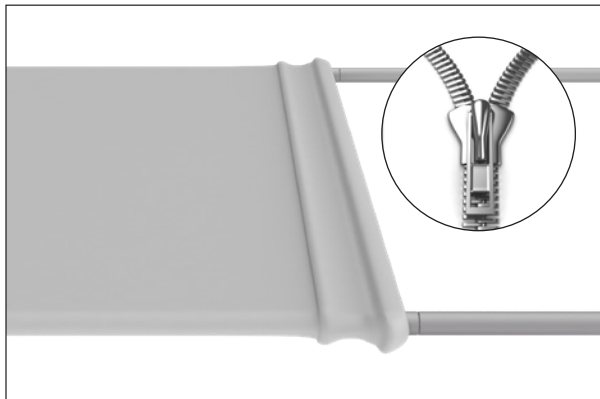
**Step 2:** Connect crossbar to frame using hex bolt and tool.



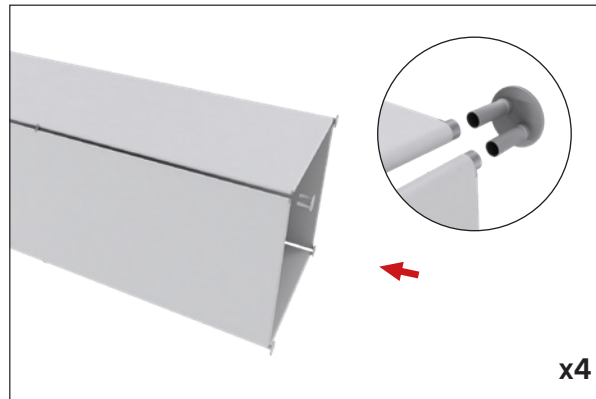
**Step 3:** Attach top section of Monitor Mount kit to center of crossbar using hex bolt and tool.



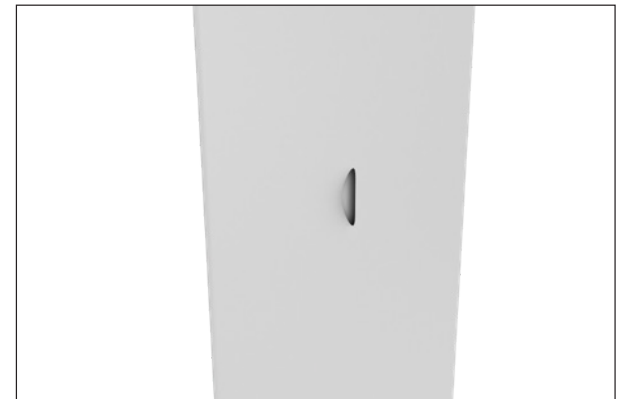
**Step 4:** Unzip print and lay image face up. Slide print onto frame like a pillow case. Grip the fabric tightly and stretch around bottom pole to pinch zipper into place. Zip the graphic together for taut finish.



**Step 5:** Attach foot onto corners of frame to connect together.



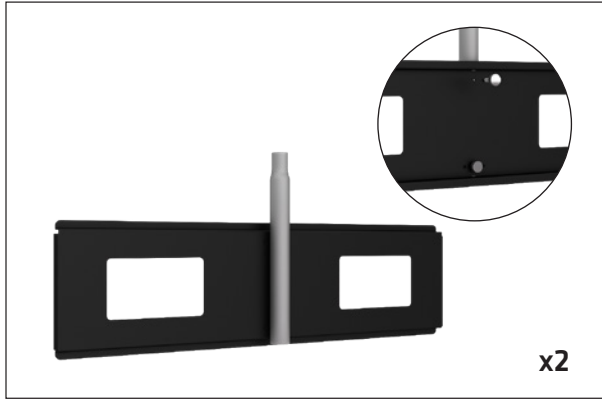
**Step 6:** Client will be required to create a vertical slit in the graphic using a hot knife which can be purchased at a hardware store. Location of cut depends on the size monitor and desired height required.



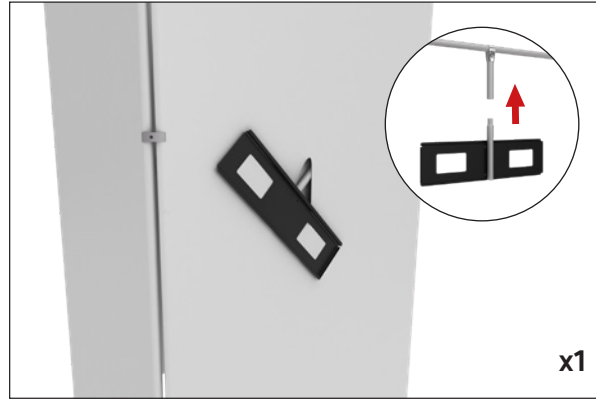
# Set Up Instructions

# OPTIONAL BLIMP TOWER MONITOR MOUNT (WLT-P-138)

**Step 7:** install the VESA Plate to the bottom hanging monitor pole. Place screws through VESA plate, spacer, and graphic before screwing into hanging monitor pole. Tighten securely.



**Step 8:** Insert the Vesa Plate Bracket with bottom pole into the fabric opening and click into top hanging pole. **Important - make sure button is clicked into pole and secure.**



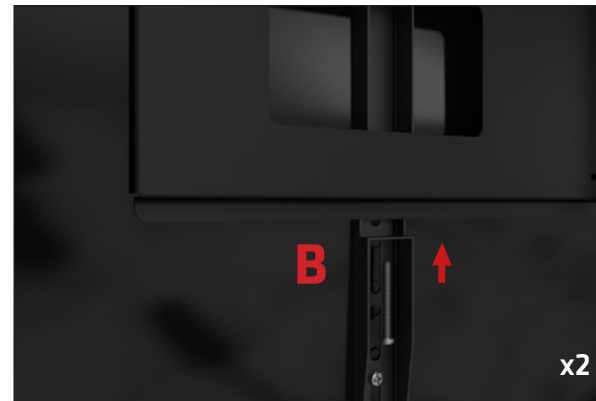
**Step 7:** Attach brackets to back of monitor with screws. Rubber spacers can be placed between the bracket and the monitor if your the back of the monitor is not flat. Choose the spacer that best fits your need. Position the VESA bracket with the **hook facing down.**



**Step 8: (A)** Hang the monitor onto base plate to test the positioning. Once position is correct remove monitor and add graphic to frame.



**Step 9: (B)** Hang the monitor again and put in final screws to hold monitor bracket in place.



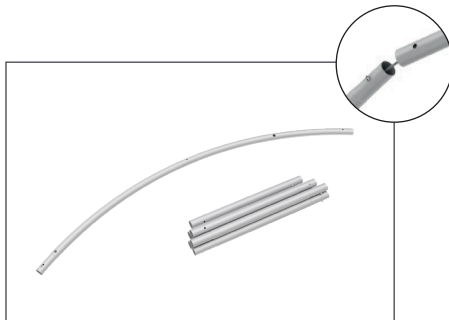
**Step 10:** Align monitor with bracket to set into place.



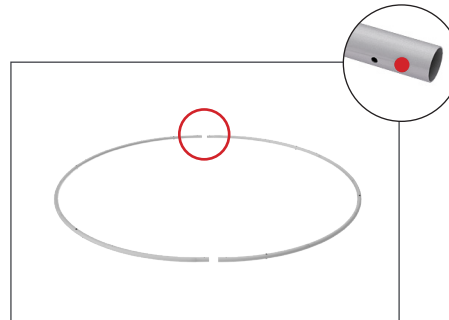
# Set Up Instructions

# BLIMP TRIANGLE ROTATING TOWER

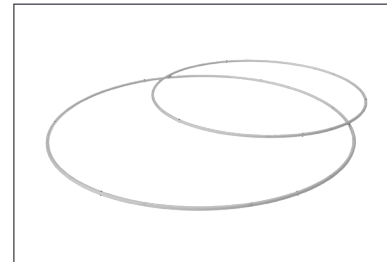
**Step 1:** Assemble the different frame sections by pushing and pulling pipes together.



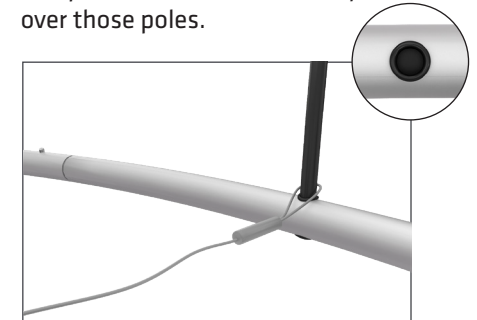
**Step 2:** Connect all corner sections to longer sections of the frame by matching shape symbols on pipes.



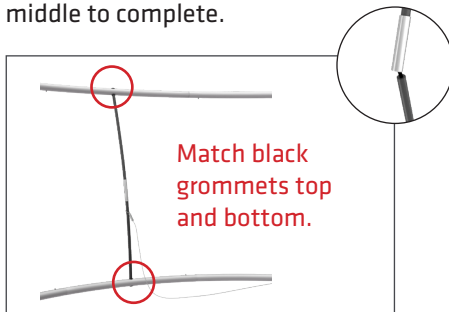
**Step 3:** Align two frames together making sure holes face each other.



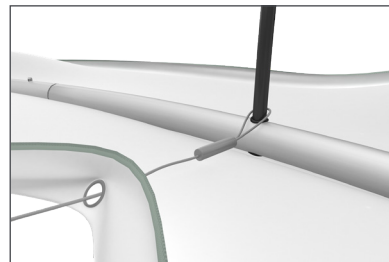
**Step 4:** Push all support poles into one frame. **Step 5:** Locate all the poles pushed into black grommets and place one end of a cable eyelet over those poles.



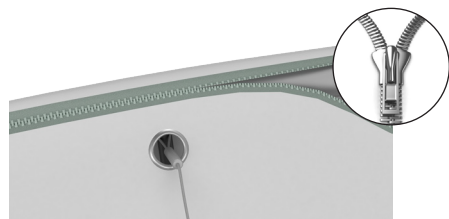
**Step 6:** Align top frame to bottom frame and push support poles into the frame. With some force connect the support poles in the middle to complete.



**Step 7:** Unzip print and place one frame inside. Position holes on frame to align with eyelets in graphic. Thread cable through eyelet. Repeat for all eyelets.



**Step 9:** Tube Setup Complete.



**Step 8:** Zip graphic closed around top of frame. Pull all cables out until inside loop is flush with eyelets. Attach all cables together at a single point for hanging.

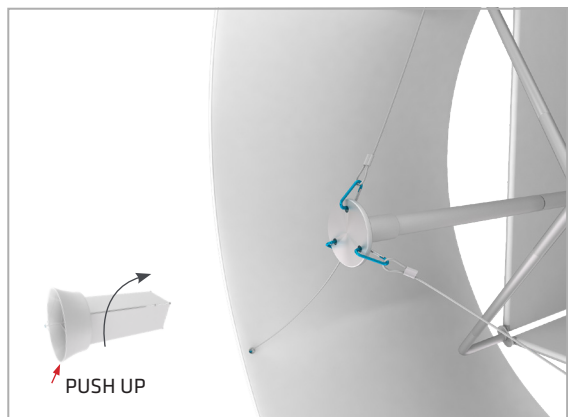
## Set Up Instructions

# BLIMP TRIANGLE ROTATING TOWER

SEE BTT-TAPERED TUBE INSTRUCTIONS FOR TOP HANGING SIGN.

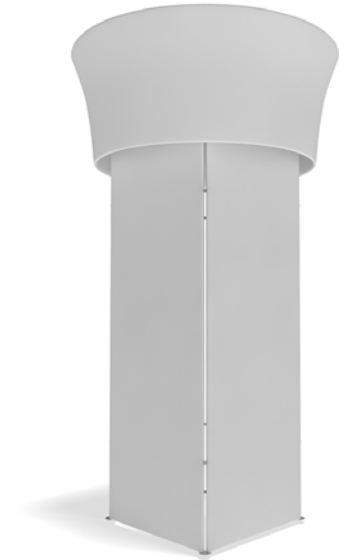
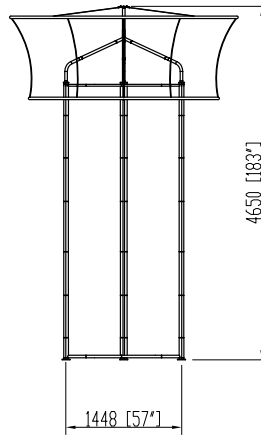
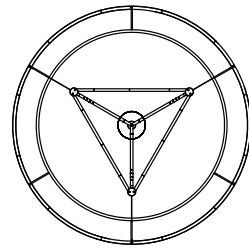
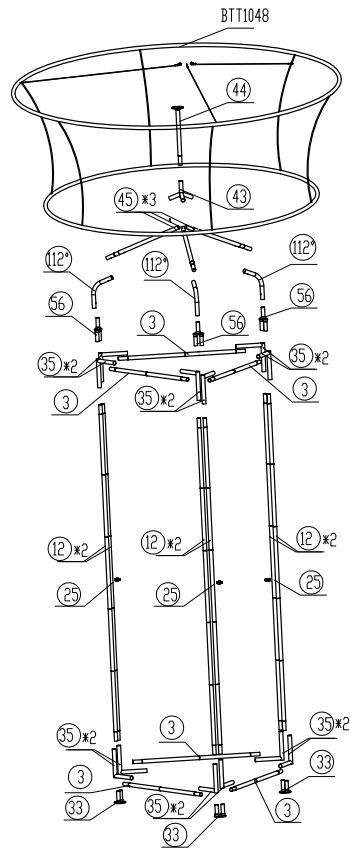


**Step 7:** With wall and hanging sign on their sides, attach hanging sign to center carousel pole using cables and clips. Push tower up into position.





# BLIMP 48" TRIANGLE ROTATING TOWER



Hardware						Graphics		Accessories			Shipping Case			Option											
33	3		43	1		BTT1048	1																		
3	6		44	1																					
35	12		25	3																					
12	6		56	3																					
45	3		112°	3																					
No.	Quantity	Confirm	No.	Quantity	Confirm	No.	Quantity	Confirm	No.	Quantity	Confirm		Confirm	No.	Quantity	Confirm	No.	Quantity	Confirm	No.	Quantity	Confirm	No.	Quantity	Confirm