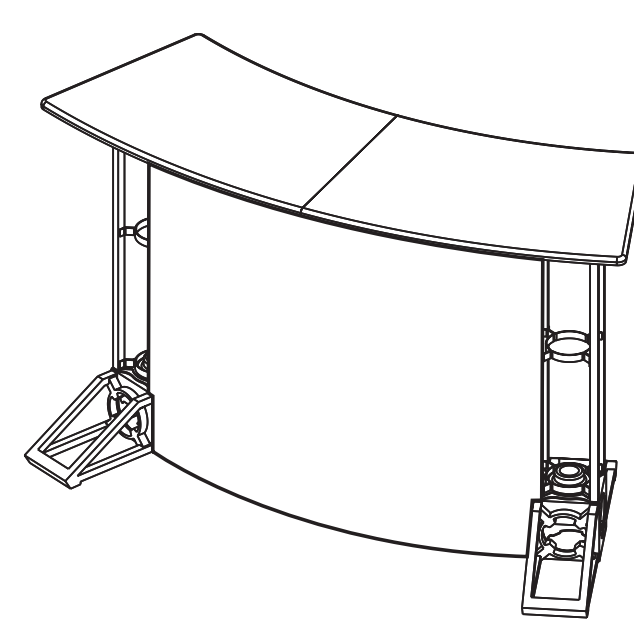


Truss Counter Curved Style A Dye Sub Printed



Front Side Panel:

Total Graphic Area: 47" x 40.125"

Finished Size: 43" x 36.125"

Template requires 2" bleed around the perimeter

FS = Graphic is front side mounted
(3/4" w velcro is applied to the back of the panel)

Notching = 7/8" x 6 1/8" rectangle that is cut into the appropriate location.

General Art Guidelines:

- CMYK Color Mode
- All Solid Coated Pantone colors should be called out in the art as spot colors
- Embed all images and support files
- Resolution must be 100-120ppi @ 100% size
- All fonts must be created to outlines
- Do not scale artboard
- Background color/images must bleed to the edge of artboard
- Do not use spot colors from template in your artwork as they will not print

FS

Compatible with Truss Counter: OR-G-TC-C-L

notched
.875" x 6.125"
on bottom
left and right side.

— bleed area

— trim line