

Product Information

Product Description

This product is a multi-polar RF skin tightening device ("the device") for home use. It is designed to address various facial skincare concerns of women through three key technologies, namely radio frequency (RF), electrical muscle stimulation (EMS), and red/near-infrared light therapy.

Product Specifications

- Product name: AMIRO R3 Turbo Facial RF Skin Tightening Device
- Product model: ARF001
- Product size: 160×38×38mm
- Size of electrode contact surface: 32×32mm
- Input: 5 V = 3A
- Battery capacity: 2600mAh
- Country of origin: China

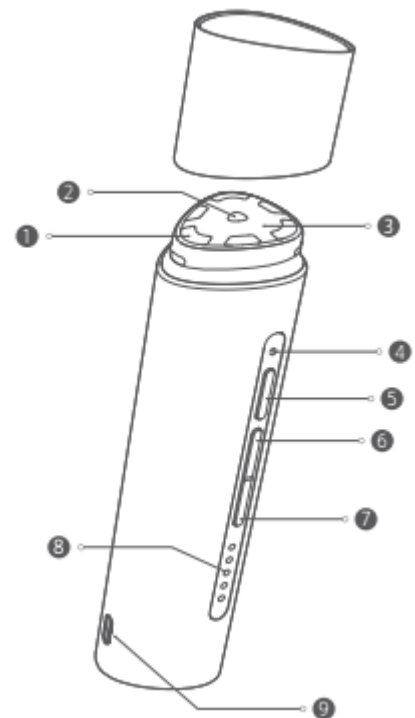
Product List

AMIRO R3 Turbo Facial RF Skin Tightening Device ×1
Charging Cable ×1
User Manual x1

Instructions

Product Illustration

1. Electrodes (7)
2. Temperature sensor
3. LED light (internal)
4. Mode indicator
 - ☐ Intensive Eye Care mode
 - ☐ V-Line Lifting mode
 - Full-Face Anti-Aging mode
5. Power/Mode button
6. "+" Intensity button
7. "-" Intensity button
8. Intensity/Battery level indicator
9. Type-C charging port



Operating procedure



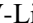
1. Charging

- Insert the Type-C connector of the charging cable completely into the charging port of the device.
 - Device is fully charged when all 5 intensity/power indicators are constantly lit.
- **The device cannot be used when charging.
- **Lay the device down when charging to prevent it from tipping over.

2. Powering on and off

- Upon initial power-up, the device is set to the Intensive Eye Care mode by default. The device will be in the last-used mode when it is powered on again.
- After the power is turned on, the device will shut down automatically if there is no activity or contact with the skin within 120 seconds. Restart the device to use it.
- Press and hold the switch/mode button for 2 seconds to turn off the device.

3. Switching modes

- After turning on the device, short press the [power/mode] button to switch between [Intensive Eye Care mode](“”), [V-Line Lifting mode](“”), and [Full-Face Anti-Aging mode](“”).

4. Intensity selection

- The device's default intensity is 1 (1 light on) when first powered on. The device will remember the last intensity used when it is next powered on.
- After powering on the device, short press the "+" button to increase intensity or the "-" button to decrease intensity.
- The highest intensity is 5 (5 lights on) and the lowest is 1 (1 light on).

5. Battery level indicator

- The device does not display remaining battery level when powered on or in use.
- When powered off, short press the [power/mode button] to check the remaining battery level, which is indicated by the [intensity/battery level] LED lights. When all 5 lights are on, it indicates that the battery is full. When only 1 light is on, it indicates that the battery level is at the lowest.

6. Low battery and power shortage warnings

- When the power is on or the device is in standby state, the corresponding indicator will keep flashing when battery level is low. Please charge regularly to ensure smooth use.
- If the device cannot be turned on by long pressing the [power/mode] button when the power is off and the Level 1 indicator LED blinks 5 times before turning off, please plug in the device for charging.

Tips for treatment

- **[Intensive Eye Care mode]:** The recommended usage for this mode is 2 to 3 times a week in combination with AMIRO BEAUTY Gel or eye mask. Apply in the following sequence: 2 minutes on area around the left eye, 2 minutes on area around right eye contour (total of 4 minutes).
- **[V-Line Lifting mode]:** The recommended usage for this mode is 2 to 3 times a week in combination with AMIRO BEAUTY face-neck mask. Apply in the following sequence: 2 minutes on left lower jaw area, 2 minutes on right lower jaw area (total of 4 minutes).
- **[Full-Face Anti-Aging mode]:** The recommended usage for this mode is 2 to 3 times a week, in combination with AMIRO BEAUTY Gel. The method is: Leave V-line lifting mask on face for 2 minutes, 1 minute on the left cheek, 1 minute on the right cheek, 1 minute on the forehead (total of 5 minutes).

Recommended steps:

Step 1: Makeup removal and cleansing

- Remove makeup and cleanse your face to ensure your skin is clean.

Step 2: Applying the gel

- Squeeze some gel onto the center of the RF electrode or apply it to the targeted facial area (Apply a larger amount of gel if you feel an increase in resistance or dryness on the skin during use)

Step 3: Select a mode

[Intensive Eye Care mode] The treatment lasts about 4 minutes. Turn on the RF Skin Tightening Device and select [Intensive Eye Care mode] “▲”

- Apply AMIRO BEAUTY Gel or eye mask around the eyes
- Place the device on your left eye contour area and rub around your eye. If you are using the device for the first time or haven't used it for a long time, please start with the lowest intensity to allow your skin to better adapt to it (see the illustrated instructions below)
- When the device vibrates briefly again, place it on the contour area of your right eye.
- When the device vibrates for 1 second before it automatically shuts down, the treatment is completed. After the treatment, you can continue to apply the eye mask for another 5 to 10 minutes. You may turn on the device again for another treatment session.



● [V-Line Lifting mode]: The treatment lasts about 4 minutes. Turn on the RF Skin Tightening Device and select [V-Line Lifting mode] “◡”

- After applying AMIRO BEAUTY face-neck mask on your left lower jaw area
- Place the device against your left lower jaw area and rub slowly. If you are using the device for the first time or haven't used it for a long time, please start with the lowest intensity to allow your skin to adapt it (please refer to the illustrated instructions below).
- When the device vibrates briefly again, place it on your right lower jaw area.
- When the device vibrates for 1 second before it automatically shuts down, the treatment is completed. After the treatment, you may continue to apply the facial neck mask for another 5 to 10 minutes. You may turn on the device again for another treatment session.



[Full-Face Anti-Aging mode] The treatment lasts about 5 minutes. Turn on the RF Skin Tightening Device and select [Full-Face Anti-Aging mode] "●"

- Apply AMIRO BEAUTY gel evenly on all areas of your face
- Place the device on your left lower jaw area and rub about it. If you are using the device for the first time or haven't used it for a long time, please start with the lowest intensity for your skin to adapt it (see the illustrated instructions below).
- Once the device vibrates briefly, move the device to your left cheek. After another brief vibration, move it onto your right cheek. After the third brief vibration, move it onto your forehead.
- When the device vibrates for 1 second before it automatically shuts down, the treatment is completed. After the treatment, you can continue to apply the facial mask for another 5 to 10 minutes. You may switch on the device again for another treatment session.



Step 4: Cleansing and hydrating

- After the care routine, wash your face with clear water and apply skin care products if needed.

Step 5: Device maintenance

- After treatment, use a slightly damp soft cloth to wipe off any gel residue on the device. Then, wipe dry with a dry cloth before placing it back in its box or storage bag.

Treatment techniques (illustrations and introduction)



- **[Intensive Eye Care mode]:**
4 minutes with AMIRO BEAUTY eye mask, 2 to 3 times per week



- **[V-Line Lifting mode]:**
4 minutes with AMIRO BEAUTY face-neck mask, 2 to 3 times per week



- **[Full-Face Anti-Aging mode]:**
5 minutes with AMIRO BEAUTY gel, 2 to 3 times per week

Tips:

- Place the device against the skin of your face. The treatment will begin after a brief vibration. Move the device to another area of your face when prompted by the vibration.
- When the device vibrates for 1 second before it automatically shuts down, the treatment is completed.
- If you wish to repeat the treatment, switch on the device again, select your desired mode and simply follow the steps as recommended. Note: Do not apply device on face for more than 30 minutes a day.
- For optimal results, gently rub the device against your skin in slow, circular motions. Avoid keeping the device still on your face as it may cause adverse effects.

Safety precautions

Tips:

Prior to using the product, please read through all [Safety precautions] outlined in the handbook thoroughly and adhere accordingly. Adverse effects can occur if the instructions for use are not followed.

[Application areas]:

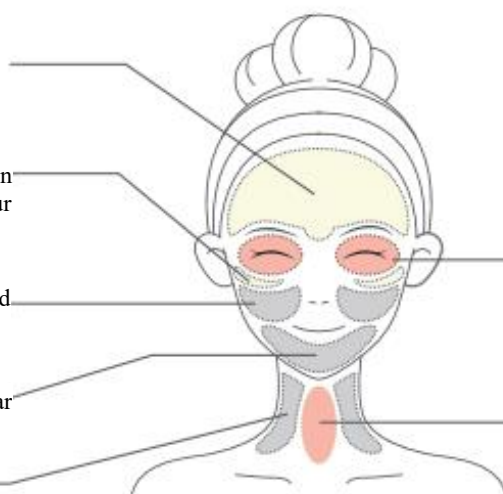
① Select a lower intensity level when treating the delicate skin on your forehead.

② Select a lower intensity level when treating the skin on the eye contour area as it is the most delicate.

③ The skin on the cheeks and around smile lines is of moderate thickness.

④ The skin on the jaw area and near the jawline is of moderate thickness.

⑤ Neck



⚠ Refrain from repeatedly stamping or rubbing the device on the same area of your face.

⚠ Do not use the device on the eyeball or upper and lower eyelids

⚠ Do not use the device on the throat and lymphatic area of the neck

Operation precautions

- The recommended ambient temperature for this product is 10°C-30°C. Ensure temperature of the charging environment is kept between 10-30°C.
- When using the device for the first time or after a long period of time, make sure to first charge the device and verify that all buttons and indicators are working properly.
- Set intensity to level 1 when using the device for the first time or before your skin has adapted to the device.
- If you experience any abnormal skin conditions, stop using the device immediately and contact our after-sales service or consult a professional doctor.
- When using the device, make sure the RF electrodes are pressed against the skin. Do not rub at a steady pace. Instead, slide the device quickly over your skin. The recommended speed of movement is 2cm/s. If the device is too hot for your comfort, you may increase the speed slightly.
- To prevent burns, please avoid keeping the device still on your face. Instead, gently, and slowly rub it on your skin.
- Do not look directly at the LED light for a prolonged period of time in order to prevent damage to the eyes.
- Do not apply the RF electrodes to the eyelids or around the eyes to prevent damage to the eyes.
- Differences in individual skin sensitivity may lead to differences in temperature perception.
- When charging, the RF device cannot be turned on or operated and all buttons will not be functional.
- Before disposing of the device, the battery must be removed from the product and discarded safely. Battery removal steps: Ensure that the power of the device is off. Then, detach the bottom cover and remove the battery inside. You may use tools to assist you. The battery should be recycled as required.

Precautions

- This product is meant for individuals who are 18 years old or older. DO NOT use on minors and make sure to keep it out of reach of children.
- Do not use the device on pets as it may cause injury to them.
- Do not use the product for purposes other than those specified in the manual so as to avoid personal injury or mechanical failure.
- People with physical or mental disabilities should not use this device as it may result in unwanted accidents or bodily injuries.
- Do not use the device if it is malfunctioning, as this may be hazardous and result in bodily injury or danger.
- To prevent fire, electrocution, or bodily harm, please refrain from using the device near flammable substances such as alcohol, thinner, gasoline, nail polish remover, or hair spray.
- Do not use the device together with flammable cosmetic products.
- Do not charge, use, or leave the product near a fire, heat source, or high temperature area, as doing so may cause the device to overheat, catch fire, or explode.
- Do not use device near water sources, in bathrooms or while bathing, as this may result in an electric shock, short circuit, or fire.
- Please be careful and avoid dropping the device or subjecting it to any collisions, so as to prevent malfunctions or injuries. If the device has been damaged due to dropping or collision, please refrain from using it.
- Do not let any metal come into contact with the electrodes as doing so may cause device malfunction and personal injury.
- Do not wipe the device with any corrosive solvents (alcohol, thinner, gasoline, nail polish remover, etc.) as doing so may damage its surface.
- Turn the power off when the device is not in use or being cleaned to prevent electrocution, short circuit, or fire.
- Please do not attempt to disassemble or modify the device on your own as doing so may cause fire, electrocution, or physical injury. If the device requires repair, please contact our after-sales service for assistance.
- In the event of any problems during charging, please disconnect the charging cable immediately. Please stop operating the equipment immediately if there is any smoke, noise or odor.

The device is unsuitable for the following groups of people:

People with any of the following conditions may not use this product as it could result in accidents or skin and bodily injury:

- During menstruation, pregnancy, or breastfeeding;
- Puberty or adolescence;
- Presence of metal implants in the targeted area;
- Currently or previously suffering from the following diseases: cancer (especially skin cancer and pre-cancerous moles), acute illnesses, tuberculosis, febrile diseases, infectious diseases, blood diseases, visceral diseases, skin diseases, allergic dermatitis;
- If you have allergies, skin conditions, allergic dermatitis, sensitive skin, using this product may cause discomfort or adverse effects. If you experience any adverse effects, stop using the product immediately;

- Impaired immune system due to immunosuppressive diseases such as AIDS or the consumption of immunosuppressive drugs;
- Please consult a doctor before using the device if you have had permanent plastic fillers injected or have received temporary dermal fillers/Botox injections in the facial areas of application;
- Any disease within the application area due to thermal irritation, such as recurrent herpes simplex virus;
- Physical irritation within the application area may result in blemishes;
- Allergic, sensitive, or fragile skin;
- Experiencing fatigue, illness, under the influence of alcohol or on sleeping pills;
- Dilated capillaries caused by prolonged use of steroids, hormones, and other drugs, or liver dysfunction;
- Individuals using these medical devices: Assistive devices implanted in the body such as artificial lungs, pacemakers, internal defibrillators, or portable devices such as electrocardiographs.

Areas on the body where the device should not be applied:

Do not use this product on the following body parts or if the following conditions exist:

- Throat nodules, eyeballs, eyelids, inside the mouth, private parts, mucous membranes, etc.
- Severe acne in area of application;
- Purulent and inflamed skin, previous scarring, or abnormal wound healing;
- If you have undergone surgeries such as laser peeling or chemical peeling in the last 3 months or have open, healing wounds within the application area;
- Skin inflammation or redness due to sunburn;
- Itchiness or pathological pigmentation on the skin;
- Protruding moles or viral warts on the skin;
- Dermatological conditions such as rashes, inflammation, itchiness, etc.
- Areas with damaged skin integrity (e.g. with burns, blisters, cuts, wounds, active skin disease or infection).

Note: The above list of safety precautions is not exhaustive.

Consult a doctor before using this product or contact us if you are uncertain whether it is appropriate for your use.

Troubleshooting and Maintenance

Table of common malfunctions

Problem	Possible causes	Solution
Unable to start the device	Dead battery	Charge to full before use
	End of battery life	Contact the manufacturer for repair or replacement
Automatic power off	If there is no activity within 120 seconds after it is powered on, the device will automatically turn off.	Restart the device
	Dead battery	Charge to full before use
	RF device electrodes not tightly pressed against the skin	Keep RF device electrodes tightly pressed against the skin
	Inappropriate gel used	AMIRO BEAUTY gel is the recommended gel for this device
Sensation of excessive heat on the face	Insufficient gel	Apply more gel to targeted areas on the face
	The intensity selected is too high	Lower intensity
	RF device stays in one area	Slightly speed up movement of RF device
Insufficient heating	Insufficient gel	Apply more gel to targeted areas on the face
	The intensity selected is too low	Increase intensity
	Fast RF movement	Slightly reduce RF device movement
Tingling caused by current	[V-Line Lifting mode] is on	Normal sensation caused by current
	Device not pressed tightly against the skin	Press the device tightly against the skin
Redness of skin after use	The intensity level of the [V-Line Lifting mode] is set too high.	Lower intensity
	Caused by RF heat	Recovery will normally occur soon afterwards. Please seek medical attention promptly if there are no signs of recovery or if you experience any other discomfort.