



Operator's Manual

Home Standby Generator

12.5 kW

MODEL NUMBER 100136



Danger: Not intended for use in critical life support application.

Danger: Generator must be installed and operated outdoors only.

REV 100136-20210208

www.championpowerequipment.com

PROTECT YOUR INVESTMENT!

Register your product to receive

**FREE
10 YEAR
WARRANTY**

Valued at \$699



www.championpowerequipment.com/HSB-offer

PLUS, GET A FREE T-SHIRT!

In exchange for an honest rating and review of your Champion product, we'll give you a FREE T-SHIRT!



REGISTRATION REQUIREMENTS



- Full name
- Address where installed
- Phone number
- Email
- Complete model number* (generator + transfer switch)
- Generator serial number
- Purchase date
- Tshirt size

PROMOTIONAL OFFER VALID FOR ONE HOME STANDBY GENERATOR PURCHASE PER HOUSEHOLD. PLEASE ALLOW UP TO A TOTAL OF 15 BUSINESS DAYS FOR YOUR REGISTRATION TO BE VERIFIED AND FREE ITEMS TO BE MAILED OUT. YOUR 10 YEAR WARRANTY IS ACTIVATED IMMEDIATELY UPON SUBMITTING PRODUCT REGISTRATION THROUGH OUR WEBSITE.

*COMPLETE MODEL NUMBER CAN BE FOUND ON PURCHASE RECEIPT.

WARNING

Cancer and Reproductive Harm – www.P65Warnings.ca.gov

DISCLAIMERS

All information, illustrations and specifications in this manual are based on the latest information available at the time of publishing. The illustrations used in this manual are intended as representative reference views only. Products are under a continuous improvement policy. Thus, information, illustrations and/or specifications to explain and/or exemplify a product, service or maintenance improvement may be changed at any time without notice.

ALL RIGHTS RESERVED

No part of this publication may be reproduced or used in any form by any means – graphic, electronic or mechanical, including photocopying, recording, taping or information storage and retrieval systems – without the written permission of Champion Power Equipment (CPE).

**Have questions or need assistance?
Do not return this product to the store!**

WE ARE HERE TO HELP!

Visit our website:
www.championpowerequipment.com
for more info:

- Product Info & Updates
- Tech Bulletins
- Frequently Asked Questions
- Product Registration

– or –

**Call our Customer Care Team Toll-Free at:
1-877-338-0999**

This manual must be used with Champion Power Equipment (CPE) manuals:

- Installation Manual, Part No. 101308
- Transfer Switch Manual, Part No. 101111

It is also recommended to refer to the reference materials list on page 16 of the Installation Manual.

*We are always working to improve our products. Therefore, the enclosed product may differ slightly from the image on the cover.

CONTENTS



CONTENTS

PRODUCT REGISTRATION	2	<i>///</i> ATS Control Module.....	19
INTRODUCTION	6	Battery Charger	20
Home Standby Generator	6	Emission Requirements	20
Parts Included	6	Specifications.....	21
General Information, Standards and Codes.....	7	Fuel System	22
SAFETY	8	Battery Requirements	22
Safety Symbol Definitions.....	8	Battery Charging	22
<i>///</i> Warnings	8	Model and Serial Number	22
<i>///</i> Mandatory Actions	9	OPERATION	23
Installation Hazards	9	Enclosure and Access	23
Before Starting	10	Pre-Start Checklist.....	23
Operating Hazards.....	10	Turning OFF the Generator	23
Accidental Starting	11	MAINTENANCE.....	24
Carbon Monoxide Hazards	11	Scheduled Maintenance Chart.....	24
Electrical Shock Hazards	12	Engine Oil	24
Fire/Explosion Hazards	12	<i>///</i> Engine Oil Requirements.....	24
Burn Hazards.....	12	<i>///</i> Checking the Engine Oil Level.....	24
Entanglement Hazards.....	13	<i>///</i> Changing the Engine Oil.....	25
Battery Hazards.....	13	Inspect and Clean Engine Air Cleaner	26
Safety labels.....	13	Spark Plug	26
<i>///</i> Safety labels and hang tags.....	14	Battery Maintenance.....	27
<i>///</i> Safety label and Hang tag locations	15	Corrosion Protection	27
GENERAL INFORMATION.....	16	Maintenance After Submersion	27
Component Identification – 8.5 kW Generator	16	Storage	27
Component Identification – Engine	17	Return to Service after Storage	28
Control Panel	17	<i>///</i> Engine parts	30
<i>///</i> Main Circuit Breaker	17	<i>///</i> Enclosure and assemblies.....	34
<i>///</i> Exercise Switch	17	<i>///</i> Alternator and Exhaust System.....	38
<i>///</i> Set Exercise Time	18	<i>///</i> Control Panel	40
<i>///</i> Hour Meter	18	<i>///</i> Wiring Diagram.....	42
<i>///</i> Engine Control Module.....	18		
<i>///</i> Reset fault Code(s).....	18		

CONTENTS



TROUBLESHOOTING43
 Troubleshooting HSB43

ADDITIONAL INFORMATION45
 Identify/Select Standby Circuits45
 Surge Protection45
 Customer Familiarization Summary46
 **HSB, ATS Model & Serial Reference ATS Back-up
 Circuits47**
 Maintenance and Service Record48

INTRODUCTION

Congratulations on your purchase of a Champion Power Equipment (CPE) home standby generator. This generator is designed and engineered in the USA to exacting standards of the North American market. This engine-powered generator meets all Environmental Protection Agency (EPA) Phase 3 requirements and is approved by CETLUS as tested to UL2200 and CSA22.2 No. 100 in both the USA and Canada.

With proper use and maintenance, this generator will provide years of satisfying service.

The Champion Staff,

Champion Power Equipment
12039 Smith Ave.
Santa Fe Springs, CA 90670

Toll-free: 1-877-338-0999

Mon-Fri 8:30 AM – 5:00 PM (PST/PDT)

www.championpowerequipment.com

HOME STANDBY GENERATOR

This home standby generator is intended exclusively for outdoor installation. This generator will operate using either liquified petroleum gas (LPG) or natural gas (NG).

This generator is designed to supply typical home load such as:

- Induction motors – sump pumps, refrigerators, air conditioners, furnaces
- Electronic items – televisions, computers
- Household lighting
- Microwaves
- This generator is not intended for use in critical life support applications.

Proper sizing of the generator is required to ensure proper operation of appliances. Some appliances require additional wattage to start and must be considered.

PARTS INCLUDED

Your HSB ships with the following:

- Operators Manual
- Installation Manual
- Oil Drain Pan
- Flexible Fuel Line
- HSB Enclosure Keys
- Battery Cable Connection
- LPG Low-speed and Main Converting Jets
- Jet Change Tool
- Lock Nut M6
- Washer, Ø6
- Flange bolt, M6 x 15



INTRODUCTION

GENERAL INFORMATION, STANDARDS AND CODES

The following information related to General Information and Standards was gathered from the list of publications related to installing the HSB generator. A multitude of other materials related to generators were also used concerning common practice, knowledgeable installation practices, certified electrical experience and work related experiences. This information is not all inclusive and the manufacturer strongly recommends the owner and installer become familiar with all pertinent codes, standards and regulations. Always check for the latest publications date to ensure you are current. Have only a qualified/certified electrician or installation technician who is knowledgeable about applicable codes, standards and regulations install and service the generator.

NFPA NO. 30, FLAMMABLE AND COMBUSTIBLE LIQUID CODE

National Fire Protection Association
470 Atlantic Avenue, Boston, MA. 02210

NFPA NO. 37, STATIONARY COMBUSTION ENGINES AND GAS TURBINES

National Fire Protection Association
470 Atlantic Avenue, Boston, Ma. 02210

NFPA NO. 76A, ESSENTIAL ELECTRICAL SYSTEMS FOR HEALTH CARE FACILITIES

National Fire Protection Association
470 Atlantic Avenue, Boston, Ma. 02210

NFPA NO. 54, NATIONAL FUEL GAS CODE

National Fire Protection Association
470 Atlantic Avenue, Boston, Ma. 02210

NFPA NO. 58, AMERICAN NATIONAL STANDARD FOR STORAGE AND HANDLING OF LIQUID PETROLEUM GAS

National Fire Protection Association
470 Atlantic Avenue, Boston, Ma. 02210

NFPA NO. 70, NFPA HANDBOOK OF ELECTRIC CODE

National Fire Protection Association
470 Atlantic Avenue, Boston, Ma. 02210

ARTICLE X, NATIONAL BUILDING CODE

American Insurance Association
85 John Street, New York, N.Y. 10038

AGRICULTURAL WIRING HANDBOOK

Food and Energy Council
909 University Avenue, Columbia, Mo. 65201

ASAE EP-3634, INSTALLATION AND MAINTENANCE OF FARM STANDBY ELECTRICAL SYSTEMS

American Society of Agricultural Engineers
2950 Niles Road, St. Joseph, Mi. 49085

SAFETY




This is the safety alert symbol. It is used to alert you to potential physical injury hazards. Obey all safety messages that follow this symbol to avoid possible injury or death.

The words DANGER, WARNING, CAUTION and NOTICE are used throughout this manual to highlight important information.

 **DANGER**

Indicates a hazardous situation that, if not avoided, will result in death or serious injury.

 **WARNING**

Indicates a hazardous situation that, if not avoided, could result in death or serious injury.

 **CAUTION**

Indicates a hazardous situation that, if not avoided, could result in minor or moderate injury.

NOTICE

Indicates a situation that can cause damage to the equipment, personal property and/or the environment, or cause the equipment to operate improperly.





NOTE: *Indicates a procedure, practice or condition that should be followed in order for the generator to function in the manner intended.*

SAFETY SYMBOL DEFINITIONS

	<p>Black hazard pictorial on yellow equilateral triangle enclosed by black triangular band</p> <p>Warns that hazard exists and describes its nature and/or consequences</p>
	<p>Black hazard pictorial on white circle enclosed by red circular band with red diagonal bar</p> <p>Depicts action NOT to be taken or action to be stopped in order to avoid hazard</p>
	<p>White hazard pictorial on blue circle</p> <p>Depicts action to be taken in order to avoid hazard</p>

/// WARNINGS

	Safety alert symbol
	Asphyxiation hazard
	Electrical shock hazard
	Entanglement hazard
	Fire hazard

	Explosion hazard
	Burn hazard
	Sever hazard (rotating blade)
	Crush hazard (top)

/// MANDATORY ACTIONS

	Read manufacturer's instructions
	Wear eye protection
	Wear personal protective equipment
	Do not leave tools in the area

INSTALLATION HAZARDS

 **WARNING**

 Have only a qualified electrician or installation technician who is familiar with applicable codes, standards and regulations install and service the generator.


ALWAYS comply with local, state and national electrical and building codes when installing the generator. NEVER alter the recommended installation in a way that would render the unit noncompliant with these codes.


ALWAYS comply with regulations that Occupational Safety and Health Administration (OSHA) has established.

ENSURE the generator is installed following the manufacturer's instructions.

NOTICE

Before welding components on the generator, contact Champion Power Equipment for recommended welding instructions.

 **WARNING**

 Not intended for use in critical life support applications.

SAFETY

BEFORE STARTING

CAUTION



Before starting, operating and maintaining this generator, be sure to read and understand the content and safety messages in this manual.

The operator is responsible for safe operation and maintenance of the generator. Be sure all potential users of the generator also understand these instructions. If any portion of this manual is not understood, contact your dealer for assistance before operating the generator.

The operator is responsible for performing all safety checks, making sure all maintenance is properly performed and making sure the generator is periodically checked by the dealer.

Inspect the generator regularly. Contact your dealer if repairs are needed.

NEVER climb or step on any part or components of the generator. Doing so may result in injury and cause leaking fuel and exhaust.

OPERATING HAZARDS

WARNING



ALWAYS operate the generator following the manufacturer's instructions. Operating the generator imprudently, neglecting maintenance or being careless can result in injury or possible death.

DO NOT allow children or unqualified persons to operate or service the generator.

NEVER operate the generator with the covers open. Operate the generator only with the covers closed and secured in place. NEVER leave the covers unlocked.

Remain alert at all times when working on the generator. NEVER work on the generator when physically or mentally fatigued.

Never operate the generator while under the influence of alcohol or drugs. Their effects on vision and judgment make operating a generator dangerous.

ACCIDENTAL STARTING

WARNING



ALWAYS prevent the generator from starting while the covers are open. The generator may crank and start at any time without notice. Follow these steps in order:

1. Turn the exercise switch to the OFF position.
2. Switch the main circuit breaker to the OFF position.
3. Turn the ATS control module to the OFF position.
4. Turn the engine control module switch to the OFF position.
5. Disconnect the NEGATIVE, NEG or (-) battery cable first, and then remove the POSITIVE, POS or (+) battery cable.

To return the generator to service, follow these steps in order:

1. Connect the POSITIVE, POS or (+) battery cable first, and then connect the NEGATIVE, NEG or (-) battery cable.
2. Turn the engine control module switch to the ATS position.
3. Turn the ATS control module switch to the AUTO position.
4. Switch the main circuit breaker to the ON position.
5. Turn the exercise switch to the ON position.

CARBON MONOXIDE HAZARDS

DANGER



Generator exhaust contains carbon monoxide, a colorless, odorless, poisonous gas. Breathing carbon monoxide will cause nausea, dizziness, fainting or death. If you start to feel dizzy or weak, get to fresh air immediately.

- The generator must be installed and operated outdoors only. NEVER install the generator where exhaust fumes could seep inside or be drawn into a potentially occupied building through windows, air intake vents or other openings.
- Avoid breathing exhaust fumes when near an operating generator.
- NEVER alter or add to the exhaust system or do anything that might render the system unsafe or in noncompliance with applicable codes, standards, laws and regulations.
- Install a battery-operated carbon monoxide detector on each level of any building adjacent to the generator following the manufacturer's instructions.
- NEVER permit even partial blockage of engine cooling ventilation air. Doing so can seriously affect safe operation of the generator.

Carbon monoxide poisoning symptoms include but are not limited to the following:

- Light-headedness, dizziness
- Physical fatigue, weakness in joints and muscles
- Sleepiness, mental fatigue, inability to concentrate or speak clearly, blurred vision
- Stomachache, vomiting, nausea

Carbon monoxide poisoning is possible if someone is experiencing any of these symptoms. Seek fresh air immediately. DO NOT sit, lie down or fall asleep. Alert others to the possibility of carbon monoxide poisoning. If the affected person does not improve within minutes of breathing fresh air, call 911 immediately.

SAFETY

ELECTRICAL SHOCK HAZARDS

WARNING



Use extreme caution when near the generator while it is operating. The generator produces dangerous voltage.

- Avoid contact with bare wires, terminals and connections while the generator is operating.
- ALWAYS stand on an insulated dry surface to reduce shock hazard if work must be done on an operating generator.
- NEVER wear jewelry that can conduct electricity when working on the generator.
- NEVER handle any kind of electrical device while hands or feet are wet, while standing in water or while barefoot.
- Proper earth grounding of the frame and external electrical conductive components is required by the National Electrical Code (NEC). State and local codes for proper grounding may also apply.
- Avoid direct contact with an electric shock victim. Immediately shut down the source of electrical power. If this is not possible, attempt to free the victim from the live conductor using a nonconducting item such as a dry board or rope. If the victim is unconscious, apply first aid and call 911 immediately.

FIRE/EXPLOSION HAZARDS

WARNING



NG and LPG are extremely explosive.

- NEVER allow any flames or smoke near the fuel system.
- Wipe up any oil spills immediately.
- NEVER allow any combustible materials to be near the generator or to be left in the generator compartment.
- ALWAYS keep the surrounding area near the generator clean and free of debris.
- Be sure to properly purge the fuel lines and leak-test according to applicable codes before placing the generator in service.
- Be sure to regularly inspect the fuel system for leaks. NEVER operate the generator if a fuel leak is present.
- Install a fire extinguisher near the generator. Keep it properly charged and be familiar with its use. An ABC rated National Fire Protection extinguisher is appropriate for use on standby electric systems. Contact your local fire department with any questions concerning the fire extinguisher.

BURN HAZARDS


WARNING




ALWAYS allow hot surfaces to cool to the touch. Running engines produce heat. Severe burns can occur on contact.

- DO NOT touch hot surfaces.
- Avoid contact with hot exhaust components and gases.

ENTANGLEMENT HAZARDS

 **WARNING**

 Use extreme caution when near rotating parts. Rotating parts can entangle hands, feet, hair, clothing and/or accessories. Traumatic amputation or severe laceration can result.

- Keep hands and feet away from rotating parts.
- Tie up long hair and remove jewelry.
- Operate equipment with guards in place.
- DO NOT wear loose-fitting clothing, dangling drawstrings or items that could become caught.


SAFETY LABELS


 **WARNING**


 All safety labels must be legible to alert personnel of safety hazards.


- Replace any illegible or missing label immediately. Missing safety labels must be replaced in their original position before the generator is operated.
- DO NOT operate the generator if there are missing or badly worn safety labels.

BATTERY HAZARDS

 **WARNING**

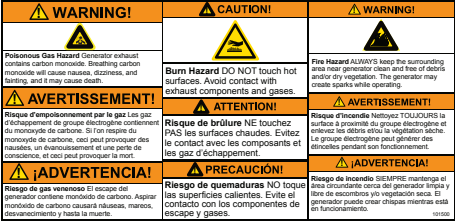





 Always read and comply with the battery manufacturer's recommendations for procedures concerning proper battery use and maintenance.

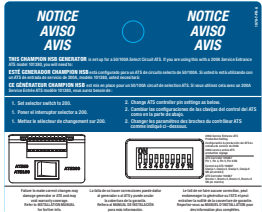
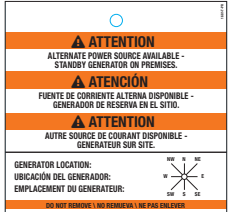
 Batteries contain sulfuric acid and generate explosive mixtures of hydrogen and oxygen gases. Keep any device that may cause sparks or flames away from the battery to prevent explosion.

 Always wear protective glasses or goggles and protective clothing when working with batteries. You must follow the battery manufacturer's instructions on safety, maintenance and installation procedures.

SAFETY

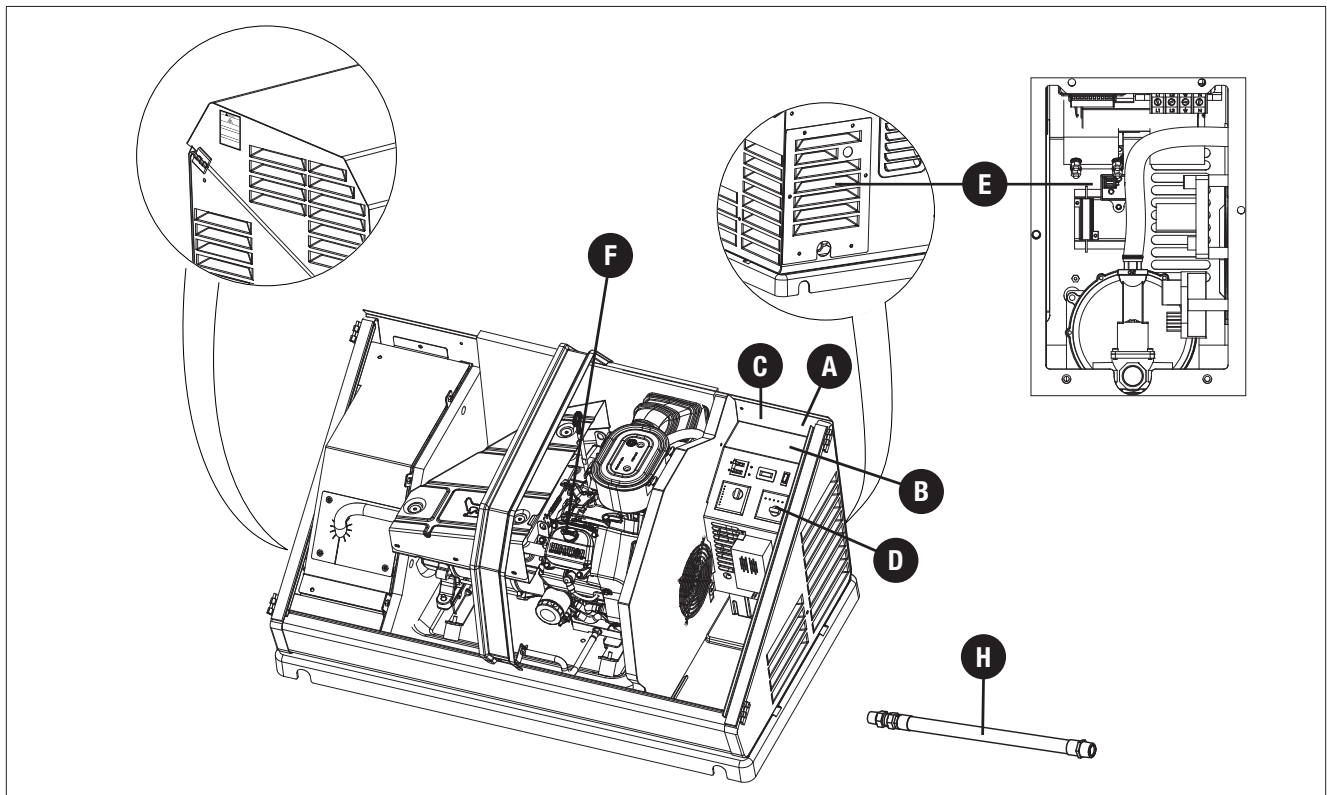
/// SAFETY LABELS AND HANG TAGS

#	LABEL	DESCRIPTION	PART NO.
1	 <p>WARNING! Poisonous Gas Hazard Generator exhaust contains carbon monoxide. Breathing carbon monoxide will cause nausea, dizziness, and fainting, and it may cause death.</p> <p>CAUTION! Burn Hazard DO NOT touch hot surfaces. Avoid contact with exhaust components and gases.</p> <p>WARNING! Fire Hazard ALWAYS keep the surrounding area near generator clean and free of debris and dry vegetation. The generator may create sparks while operating.</p> <p>AVERTISSEMENT! Risque d'empoisonnement par le gaz d'échappement de groupe électrogène contenant du monoxyde de carbone. Si on respire du monoxyde de carbone, ceci peut provoquer des nausées, un étourdissement et une perte de conscience, et ceci peut provoquer la mort.</p> <p>ATTENTION! Risque de brûlure NE touchez PAS les surfaces chaudes. Évitez le contact avec les composants et les gaz d'échappement!</p> <p>AVERTISSEMENT! Risque d'incendie Nettoyez TOUJOURS la surface à proximité du groupe électrogène et évitez les débris et/ou la végétation sèche. Le groupe électrogène peut générer des étincelles pendant son fonctionnement.</p> <p>¡ADVERTENCIA! Riesgo de gas venenoso El escape del generador contiene monóxido de carbono. Aspirar monóxido de carbono causará náuseas, mareos, desvanecimiento y hasta la muerte.</p> <p>PRECAUCIÓN! Riesgo de quemaduras NO toque las superficies calientes. Evite el contacto con los componentes de escape y gases.</p> <p>¡ADVERTENCIA! Riesgo de incendio SIEMPRE mantenga el área inmediata cerca del generador limpia y libre de escombros y/o vegetación seca. El generador puede crear chispas mientras está en funcionamiento.</p>	Poison, Burn and Fire Warning	101500
2	 <p>CAUTION! Burn Hazard DO NOT touch hot surfaces. Allow the engine and alternator to cool to the touch before servicing.</p> <p>ATTENTION! Danger de brûlure NE TOUCHEZ PAS les surfaces chaudes. Laissez le moteur et l'alternateur devenir froid au toucher avant d'intervenir.</p> <p>PRECAUCIÓN! Riesgo de quemaduras NO toque las superficies calientes. Déje que el motor y el alternador se enfrien para tocarlos antes de realizarlos el mantenimiento.</p>	Burn Warning	100794
3	 <p>WARNING! Electrical Shock Hazard Do not remove this access panel. The panel should only be removed by an authorized Service Dealer or a qualified electrician; high voltage inside.</p> <p>AVERTISSEMENT! Risque de choc électrique N'enlevez pas ce panneau d'accès. Le panneau ne devrait être enlevé que par un concessionnaire d'entretien agréé ou un électricien qualifié, haute tension à l'intérieur.</p> <p>¡ADVERTENCIA! Riesgo de descarga eléctrica No remueva este tablero de acceso. El tablero solo deberá ser removido por un distribuidor de servicio autorizado o un electricista calificado; alto voltaje al interior.</p>	Electrocution Warning	101045
4	 <p>CAUTION! Burn Hazard DO NOT touch hot surfaces. Avoid contact with exhaust components and gases.</p> <p>ATTENTION! Risque de brûlure NE touchez PAS les surfaces chaudes. Évitez le contact avec les composants et les gaz d'échappement.</p> <p>PRECAUCIÓN! Riesgo de quemaduras NO toque las superficies calientes. Evite el contacto con los componentes de escape y gases.</p>	Burn Warning	101051
5	 <p>WARNING! Electrical Shock Hazard ALWAYS check and tag generator whenever operating. The generator produces dangerous voltage.</p> <p>AVERTISSEMENT! Risque de choc électrique Fermez et étiquetez toujours le générateur avant d'utiliser le groupe électrogène. Le groupe électrogène génère des tensions dangereuses.</p> <p>¡ADVERTENCIA! Riesgo de descarga eléctrica SIEMPRE cierre y etiquete las baterías del generador antes de ponerlo en funcionamiento. El generador produce un voltaje peligroso.</p>	Electrocution Warning	100798
6	 <p>WARNING! Explosion Hazard Battery gases are explosive. Keep sparks and flames away from the battery compartment.</p> <p>WARNING! Read Operator's Manual Read, understand and follow all safety messages in Installation and Operator's manuals.</p> <p>WARNING! Starting Hazard The generator may crank and start at any time without notice. Prevent the generator from starting while the covers are open. See the safety section of the operator's manual for further detail.</p> <p>AVERTISSEMENT! Risque d'explosion Les gaz dégagés par la batterie peuvent exploser. Écartez les étincelles et les flammes du compartiment batterie.</p> <p>AVERTISSEMENT! Lisez le manuel d'utilisation Lisez, comprenez bien et respectez tous les messages de sécurité dans les manuels d'installation et d'utilisation.</p> <p>AVERTISSEMENT! Risque de démarrage Le groupe électrogène peut tourner et démarrer à tout moment sans préavis. Ne commencez pas le groupe électrogène lorsque les capots sont ouverts. Consultez la section sécurité du manuel d'utilisation pour plus de détails.</p> <p>¡ADVERTENCIA! Riesgo de explosión Los gases de las baterías son explosivos. Mantenga las chispas y llamas alejadas del compartimento de las baterías.</p> <p>¡ADVERTENCIA! Lea el manual del operador Lea, comprenda y siga todos los mensajes de seguridad en los manuales de instalación y del operador.</p> <p>¡ADVERTENCIA! Riesgo de inicio El generador puede encenderse y ponerse en marcha en cualquier momento sin previo aviso. Evite que el generador se ponga en marcha mientras las tapas están abiertas. Vea la sección de seguridad en el manual del operador para más detalles.</p>	Explosion Warning, Read OM, Starting Warning	101499

#	HANG TAG	DESCRIPTION	PART NO.
1		Service Entrance	1979-T-PR
2		Alternate Power Source	1681-T-OP

/// SAFETY LABEL AND HANG TAG LOCATIONS

The safety labels have specific placement and must be replaced if they are unreadable, damaged or missing.



- a. Serial number location
- b. Nameplate
- c. NFPA 37 Compliance
- d. Service Entrance hang tag
- e. Connector assembly (behind panel)
- f. Oil hang tag
- g. Alternate power source (not shown – in the OM bag)
- h. Flexible Fuel Line hang tag

GENERAL INFORMATION



COMPONENT IDENTIFICATION – 12.5 KW GENERATOR

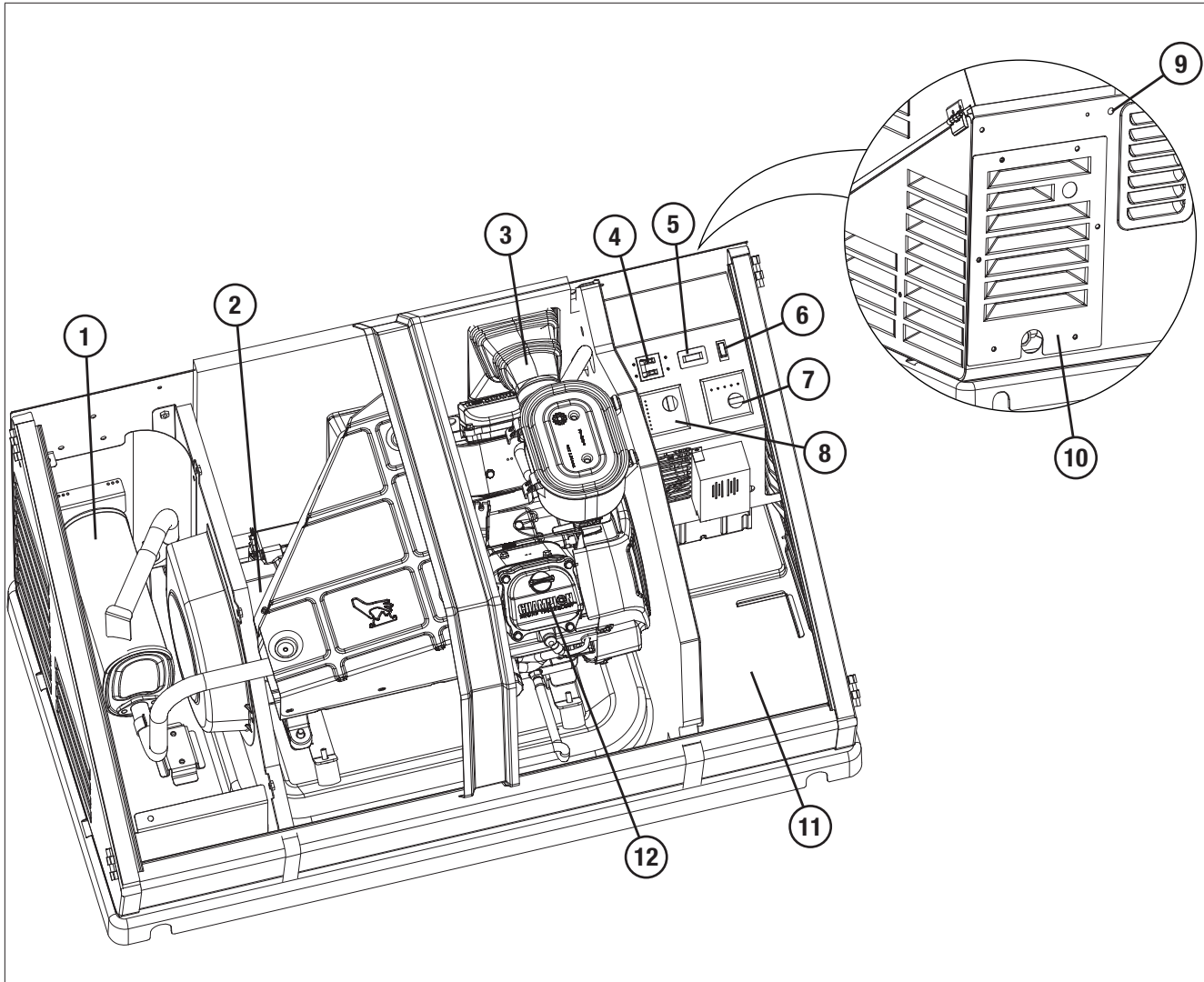
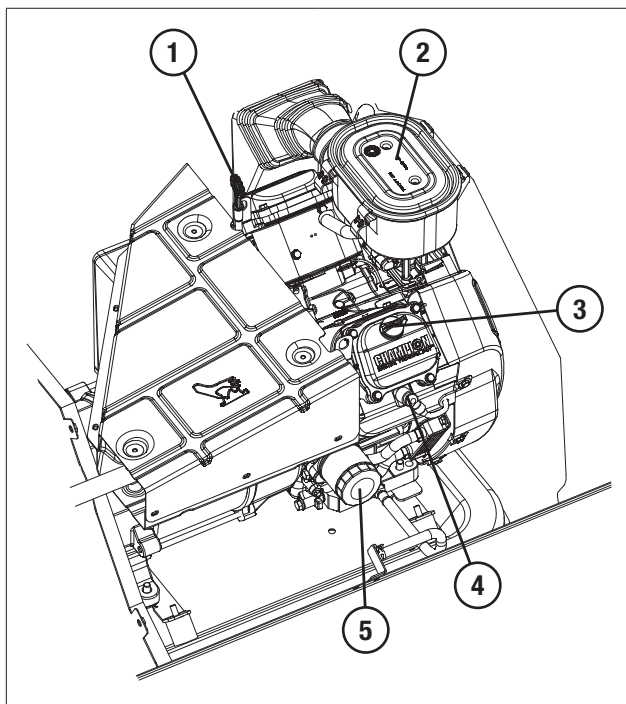


Figure 1

- | | |
|-------------------------|--|
| 1. Exhaust System | 8. Engine Control Module |
| 2. Alternator | 9. Exterior Fault Code Indicator Light |
| 3. Air Inlet | 10. Fuel Regulator/Wire Connections (behind panel) |
| 4. Main Circuit Breaker | 11. Batteries (not included) |
| 5. Hour Meter | 12. Engine |
| 6. Exercise Switch | |
| 7. ATS Control Module | |

GENERAL INFORMATION

COMPONENT IDENTIFICATION – ENGINE



1. Engine Oil Dipstick	4. Spark Plug (second on opposite side)
2. Air Cleaner	5. Oil Filter
3. Oil Cap	

Figure 2

CONTROL PANEL

/// MAIN CIRCUIT BREAKER

The 52-amp main circuit breaker protects the generator from circuit overload. The main circuit breaker controls total output of the generator. (Figure 3)

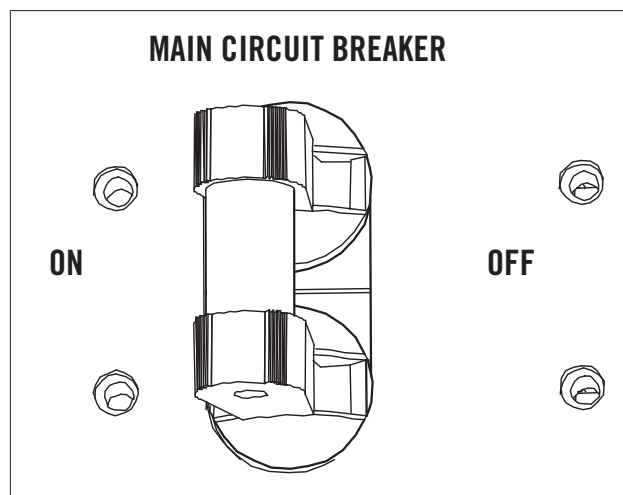


Figure 3

/// EXERCISE SWITCH

The exercise switch incorporates a built-in timer. The generator will automatically perform an exercise period once every seven days (168 hours). At the start of the exercise period, the engine will start and run for 15 minutes. Load transfer from the generator output will not occur unless the utility power is lost. When the switch is in the OFF position, the exercise function is disabled. Refer to Set Exercise Time to reset. (Figure 4)

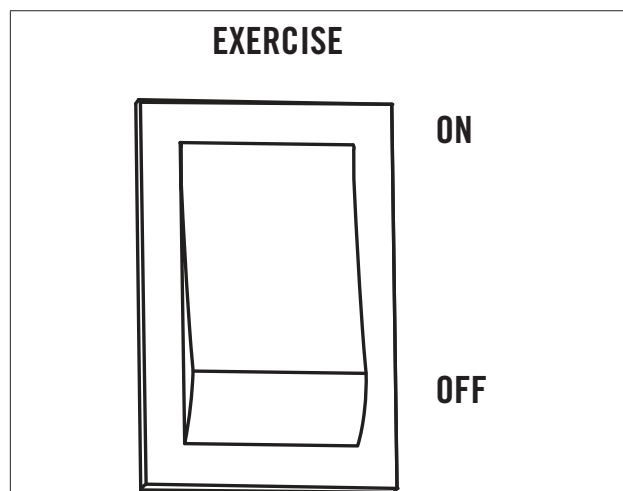


Figure 4

GENERAL INFORMATION

/// SET EXERCISE TIME

To set the exercise time, the engine control module switch must be in the ATS mode. Decide on the desired day and time to exercise the generator. Press the exercise switch to ON. The generator will start and run for 15 minutes and then shut off. The exercise time is now set. The generator will begin the next exercise period exactly 168 hours from when the exercise switch was pressed to the ON position.

If you choose to change the current exercise time setting, choose the new day and time and cycle the exercise switch from off to on and it will begin the cycle again. (Figure 4)

The exercise time will have to be reset if:

- The battery was disconnected from the generator
- The switch was moved to the OFF position for maintenance

/// HOUR METER

The generator is equipped with an hour meter that will display the generator actual run and exercise times.

/// ENGINE CONTROL MODULE

The engine control module contains the ATS/OFF/Manual mode switch and the LEDs that indicate if a generator operation is being performed or if there is an active alarm. (Figure 5)

If the exterior fault code indicator light is on, open the enclosure to view the engine control module. Determine what the fault code is and remedy the situation or have the generator serviced by an authorized Service Dealer or contact Champion Customer Service at 1-877-338-0999.

/// RESET FAULT CODE(S)

There is also an exterior fault code indicator light located on the back of the enclosure. This should be checked weekly to make sure there are no active fault codes.

The fault code(s) can be reset by placing the Engine Control Module (Figure 5) in the OFF position. This will reset fault LED, however if a fault code(s) re-occurs it must be addressed.

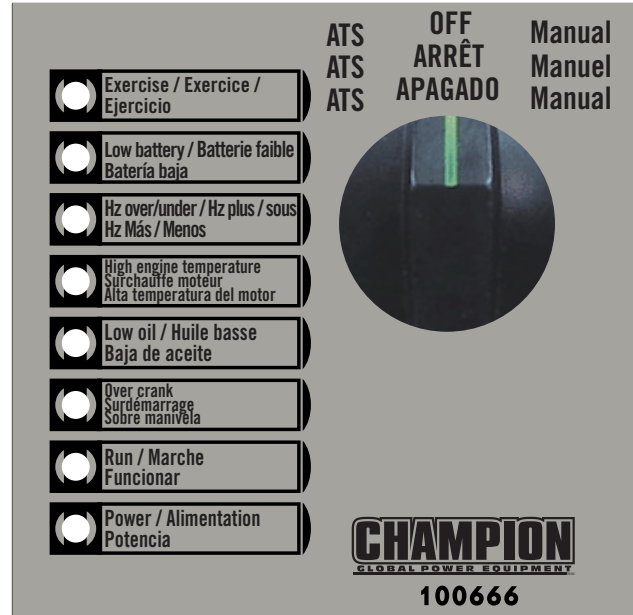


Figure 5

MODE SWITCH

ATS – This position allows for fully automatic operation. If utility power is lost, the generator will automatically start up. It also allows the generator to automatically perform the exercise period.

OFF – This position shuts down the engine and prevents automatic operation of the generator.

Manual – This position allows manual starting of the engine. Load transfer from the generator output does not occur unless the utility power is lost.

EXERCISE LED

The green LED will be flashing when the HSB is performing the weekly exercise cycle. When the exercise period has completed, the LED will stay lit and the HSB will resume standby monitoring.

LOW BATTERY LED

The yellow LED will be lit if the battery voltage fell below 21.0 volts for at least one minute while the engine was running. If battery voltage rises above 21.1 volts, the LED will turn off. Battery voltage is not monitored when cranking the engine.

GENERAL INFORMATION

HIGH ENGINE TEMP LED

The red LED will be lit if the engine operating temperature exceeds the factory preset limits. If excessive operating temperature is detected, the HSB will shut down and re-start will be disabled. The RED LEDs on the module and enclosure exterior are lit.

This failure could be the result of an excessive load or high ambient temperatures. Should this fault occur do the following;

1. Open the enclosure doors to increase air flow throughout the unit.
2. Check oil level, add oil if required.
3. Inspect the interior and exterior of the enclosure for debris, leaves, ect., and remove them to increase air flow around and inside the unit.
4. Once the engine temperature falls into the normal operating range, generally 30 minutes, follow the reset procedures in the manuals specific to your model to clear and correct fault.
5. Close the enclosure doors and the unit is ready to run.

HZ OVER / UNDER SPEED LED

The red LED will be lit if the engine was operating above or below its preset speed limit. The engine will shut down, and the LED will remain lit until the generator is repaired and operating correctly. Appliances connected to the generator circuit could be damaged from high generator output if the engine is allowed to operate above its preset limit. If this failure occurs, contact an authorized Service Dealer or contact Champion Customer Service at 1-877-338-0999.

LOW OIL LED

The red LED will be lit if the engine oil level has dropped below the safe operating level. When this happens, the engine will shut down. Check the engine oil level before attempting to restart the engine. The engine will not start until the problem is corrected.

OVER CRANK LED

The red LED will be lit if the engine tried to start but was unable to start in the specified time period. The engine will try to start five times and if unsuccessful the light will turn on. This may occur on initial start-up, the fuel system needs to be fully pressurized to start and operate. Follow reset procedure on page 18.

RUN LED

The green LED will be lit indicating the engine is running.

POWER LED

The green LED will be lit indicating the generator is working correctly and loads can be connected to it.

/// ATS CONTROL MODULE

The ATS control module contains the TEST/AUTO/OFF switch and LEDs that indicate type of power delivery. (Figure 6)

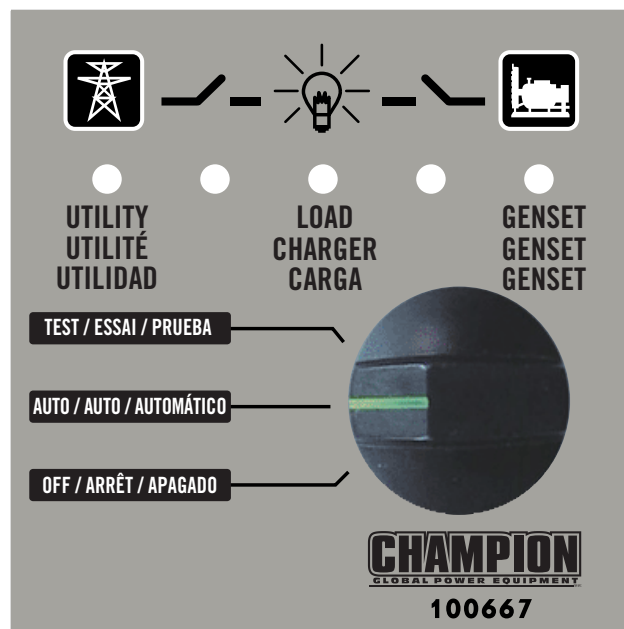


Figure 6

TEST/AUTO/OFF SWITCH

- TEST – This position allows verification that the generator power delivery circuit is functional. With the switch in the TEST position, the engine will start and the ATS will transfer. The GENSET LED, ATS LED (middle LED) and LOAD LED should be lit, indicating the generator power delivery circuit is functional.
- AUTO – This position allows automatic delivery of power from the generator if there is a utility outage. With the switch in the AUTO position and the engine not running, the UTILITY LED, ATS LED (middle LED) and LOAD LED should be lit, indicating the household is using utility provided power.
- OFF – This position will not allow any power to be delivered to the ATS when the engine is running.

GENERAL INFORMATION

BATTERY CHARGER

The LEDs on the battery charger indicate the state of the battery's charge level. Battery charger rating 24 Vdc 1.6A. (Figure 7)

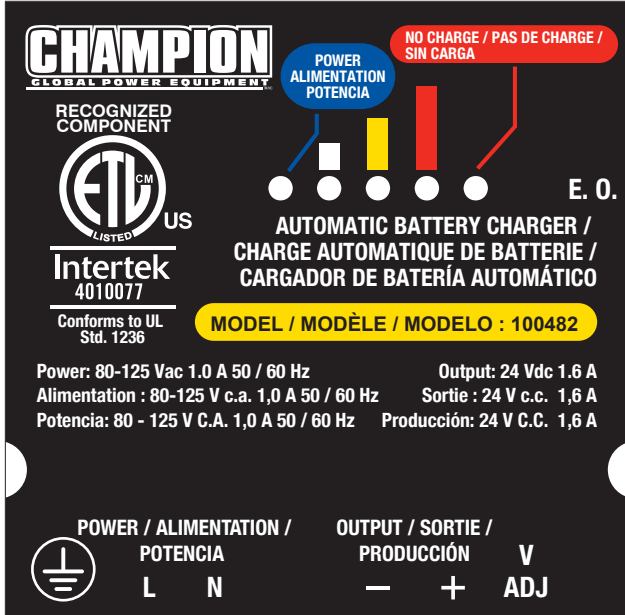


Figure 7

POWER	Lit to indicate the battery is fully charged.
Small Bar	Lit to indicate the battery is receiving a trickle charge
Middle Bar	Lit to indicate current output is near 50%.
Large Bar	Lit to indicate the charger is operating above 50% capacity.
NO CHARGE	Lit to indicate a battery charging problem. If this LED is lit, the LED on the Engine Controller module, "LOW BATTERY" will also be lit.

EMISSION REQUIREMENTS

This engine-powered generator meets all United States Environmental Protection Agency (EPA) Phase 3 requirements and is approved for use in both the USA and Canada.

This generator is certified to operate on pipeline NG and LPG (vapor) fuel for use as a stationary engine for standby power generation. Federal and/or local laws may be violated if it is used for any other purpose.

The maintenance schedule must be followed to ensure that the engine complies with the applicable emission standards for the duration of the engine's life.

NOTICE

For Emission control devices and systems, read and understand your responsibilities for service as stated in the Emission Control Warranty Statement of this manual.

GENERAL INFORMATION

SPECIFICATIONS

Home Standby Generator	
Maximum continuous power, LPG	12.5 kW
Maximum continuous power, NG	11 kW
Rated voltage	120/240
Amps	104/52 LPG (propane), 91.6/45.8 NG (natural gas)
Harmonic distortion	Less than 5%
Main line circuit breaker	52 amp
Phase	Single
Frequency	60 Hz
Unit weight	425.5 lb. (193 kg)
Size (L x W x H)	49 x 28 x 28 in. (124.5 x 71 x 71 cm)
Engine	
Type	Milwaukee Series OHV Commercial V-Twin
No. of cylinders	2
Displacement	717 cc
Cylinder block	Aluminum with cast iron sleeves
Ignition system	Solid state – magneto
Spark plug	F7RTC (NGK BPR7ES)
Governor	Mechanical
Starter	Electric 24V DC
Oil capacity	1.6 qt (1.5 L)
Oil Type	5W-30 Full Synthetic*
RPM	3600
Controls	
Mode switch auto	Auto start on utility failure
Mode switch manual	Starts on demand
Mode switch off	Stops unit/control and charger active
Ready to run/maintenance messages	Standard
Programmable start delay	Standard
Engine start sequence	Standard
Starter lockout	Standard
Battery charger/low battery indicator	Standard
Charger fault	Standard
AVR over voltage protection	Standard
Low oil protection	Standard
Safety fused	Standard
Overcrank/overspeed/underspeed protection	Standard

*Unit ships without oil. Add oil before starting the HSB.

GENERAL INFORMATION

FUEL SYSTEM

The engine is fitted with a dual master mixer assembly carburetion system, which allows it to run on either NG or LPG. It has been configured at the factory to run on NG. If your installation requires the engine to run on LPG, orifices in the master mixer assembly carburetor must be changed.

BATTERY REQUIREMENTS

Two (2) 12 volt Group U1 batteries with a minimum of 350 CCA each. Battery size: 7 3/4 L x 5 3/16 W x 7 5/16 H inches (196mm L x 131mm W x 185mm H). This is based on testing in extreme cold and heat -22° F (-30° C) to 104° F (40° C). Purchase batteries locally. Install positive cable first.

Install a cable from the positive (+) terminal of one battery to the negative (-) terminal of the other battery. Always connect the positive (+) battery cable to the generator first. (Figure 8)

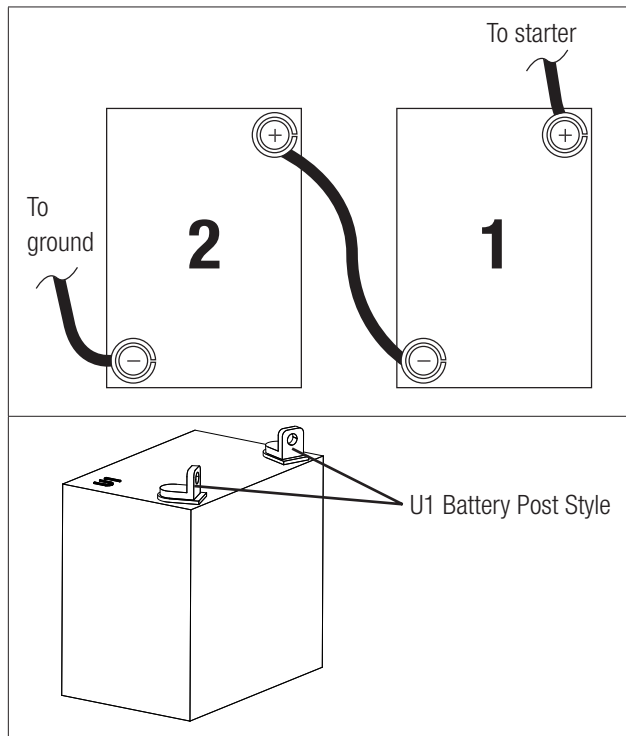


Figure 8

CAUTION

For battery installation, maintenance, and safety requirements refer to purchased manufacturer battery installation and safety manual.

BATTERY CHARGING

The generator is equipped with an automatic battery charger. The charger will sense the battery's state of charge and automatically charge the battery when required. LED lights on the charger display the battery state of charge. See Figure 7 on page 20.

MODEL AND SERIAL NUMBER

The model and serial number plate is affixed to the generator above the control panel. Have this information if calling for service or ordering parts. (Figure 9)

STATIONARY ENGINE DRIVEN GENERATOR / STATIONNAIRE GÉNÉRATEUR ENTRAINÉ PAR UN MOTEUR / GENERADOR ACCIONADO POR MOTOR ESTACIONARIO		MODEL 100136 MODELO MODELE	
RATED VOLTAGE	120/240 - single-phase	TENSION NOMINALE	120 / 240 - monophasées
RATED FREQUENCY	60 Hz	FRECUENCIA NOMINALE	FRECUENCIA NOMINAL
RATED CURRENT	104 A / 52 A (LPG)	COURANT NOMINALE	CORRIENTE NOMINAL
POWER FACTOR	1.0	FACTEUR DE PUISSANCE	FACTOR DE POTENCIA
MAX LOAD UNBALANCE	50%	MAX DÉSÉQUILIBRE DE CHARGE	MAX DÉSÉQUILIBRIO DE LA CARGA
RATED ENGINE SPEED	3600 /min	RÉGIME MOTEUR NOMINAL	VELOCIDAD NOMINAL DEL MOTOR
RATED AMBIENT TEMP	25-40 °C	TEMPÉRATURE AMBIANTE NOMINALE	TEMPERATURA AMBIENTE NOMINAL
INSULATION CLASS	H	ISOLATION DE CLASSE	ASISLANTE CLASE
NEUTRAL	FLOATING	NEUTRE	NEUTRO
FOR STANDBY SERVICE		POUR LE SERVICE DE SECOURS	PARA EL SERVICIO SUPLENTE
RAINPROOF ENCLOSURE FITTED		BŔTIÈRE ÉTANCHE À LA PLUIE ÉQUIPÉ	CARGASAA PRUEBA DE LLUVIA EQUIPADO
CHAMPION POWER EQUIPMENT 12039 Smith Ave., Santa Fe Springs, CA 90670 USA			
		Conforms to UL Std. No. 2200 Certified to CSA Standard C22.2 No. 100 Intertek 4010077	
PA1 101301			

Figure 9

Before operating the generator, review **SAFETY** section starting on page 8.

ENCLOSURE AND ACCESS

Open the enclosure to gain access to the generator and its components. (Figure 10) Unlock the handles. Turn the handles and lift the hoods up and to the outside.



Figure 10

PRE-START CHECKLIST

To make sure the generator is ready for proper operation, the following items should be checked:

- Fuel valve is in the on position
- No fault code LEDs are lit
- Battery is at full charge
- ATS control module is in the AUTO position
- Engine control module is in the ATS position
- Transfer switch lever is in the Utility Power position

TURNING OFF THE GENERATOR

If you need to shut off the generator when it is running, turn the engine control module switch to the OFF position. This will shut off the engine. With the engine control module in the OFF position, the generator will not start, even if there is loss of utility power.

MAINTENANCE

Before performing maintenance procedures, review SAFETY section starting on page 8.

Ensure that the ATS and Engine Switches are in the OFF position before performing any maintenance or cleaning.

SCHEDULED MAINTENANCE CHART

First 5 Hours of Operation	
Change engine oil	√

Weekly	
Check exterior fault code indicator light	√
Inspect and clean enclosure louvers	√

Monthly	
Check engine oil level	√*
Inspect fuel lines and connections	√
Inspect and clean battery terminals	√

Every 2 Years or 100 Hours of Operation	
Change engine oil	√**
Inspect and clean engine air cleaner	√**
Inspect engine spark plug	√
Complete inspection of generator, engine tune-up, and valve lash check/adjustment	√***

* Monthly or 24 hours of continuous operation

** Service sooner if operating in high ambient temperatures or a dusty and dirty environment.

*** Maintenance should be performed by your service dealer.

ENGINE OIL

/// ENGINE OIL REQUIREMENTS

Use American Petroleum Institute (API) Service Class SN or better. Do not use special additives. All temperatures full synthetic 5W-30.

Over 32 °F (0 °C)	SAE 30
40 °F to -10 °F (4 °C to -23 °C)	10W-30
10 °F or less (-12 °C or less)	Synthetic 5W-30

/// CHECKING THE ENGINE OIL LEVEL

Check the oil level daily when the generator is running for an extended period of time.

1. If the generator is running during a utility outage, turn off all household loads.
2. Turn the engine control module switch to the OFF position.
3. Remove the dipstick. Wipe it dry with a clean cloth and completely reinsert it into the dipstick tube. See figure 12, page 25.

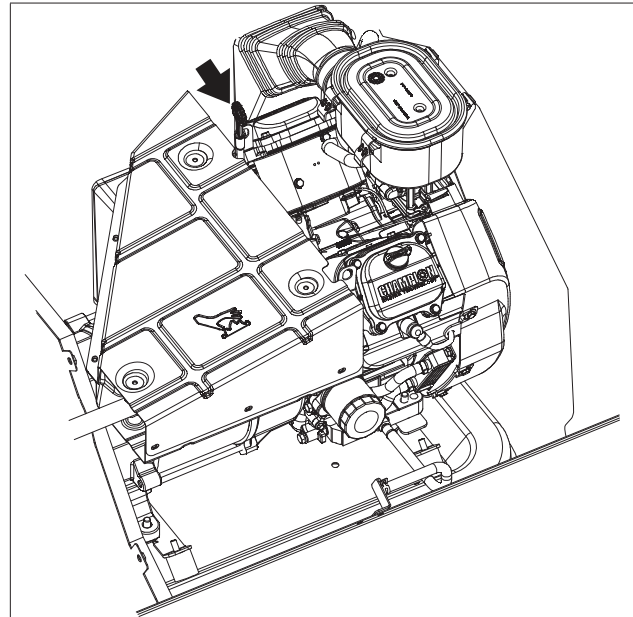


Figure 11

NOTICE

DO NOT overfill the engine with engine oil. Damage to the engine may occur.

MAINTENANCE

- Remove the dipstick. The oil level should be at the FULL mark. If necessary, add oil. DO NOT overfill.

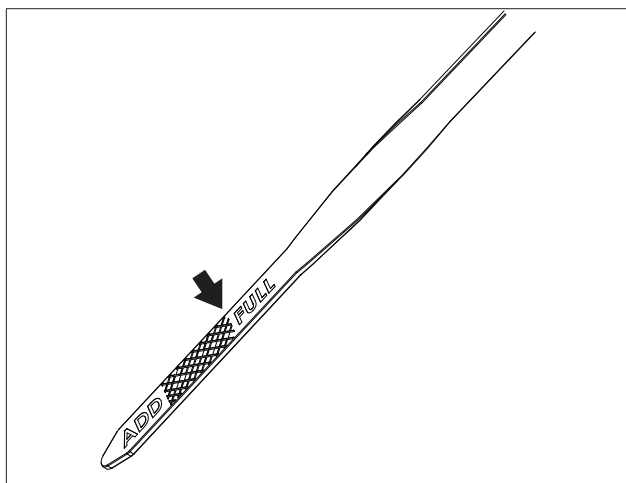


Figure 12

- Install the dipstick.
- Turn the engine control module switch to its prior position.

/// CHANGING THE ENGINE OIL

WARNING

Always wear protective glasses or goggles and protective clothing when changing hot engine oil.

- Turn the ATS to the OFF position.
- Turn the engine control module switch to the MANUAL position.
- Allow the engine to run until it reaches operating temperature.
- Turn the engine control module switch to the OFF position.

NOTICE

Always be environmentally responsible. Consult the local authorities or reclamations facility for proper disposal of engine oil waste.

- Position drain pan under alternator.
- Loosen hose clamp on oil drain hose and slide drain hose off retaining pin. (Figure 13)

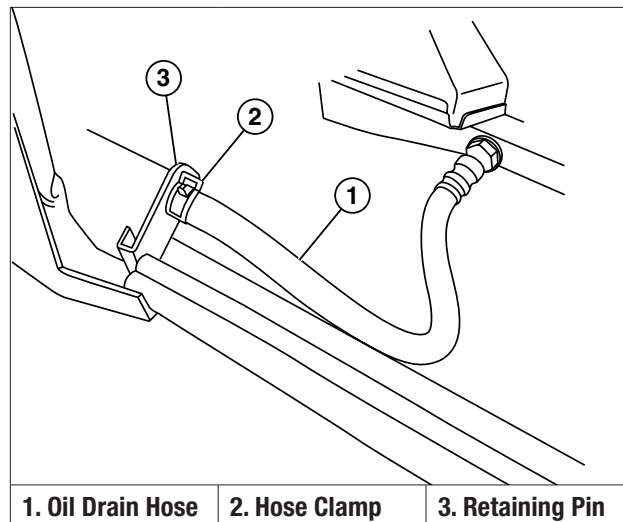


Figure 13

- Position drain hose into drain pan and allow crankcase to empty.
- Reinstall the hose onto the retaining pin and reposition hose clamp.
- Fill the engine with the proper amount of engine oil. See Figure 12.
- Turn the engine control module switch to its prior position.
- Turn the ATS to the AUTO position.

MAINTENANCE

INSPECT AND CLEAN ENGINE AIR CLEANER

1. Turn the engine control module switch to the OFF position.
2. Unsnap the clips holding the air cleaner cover in place and remove the air cleaner cover.
3. Remove the paper element.

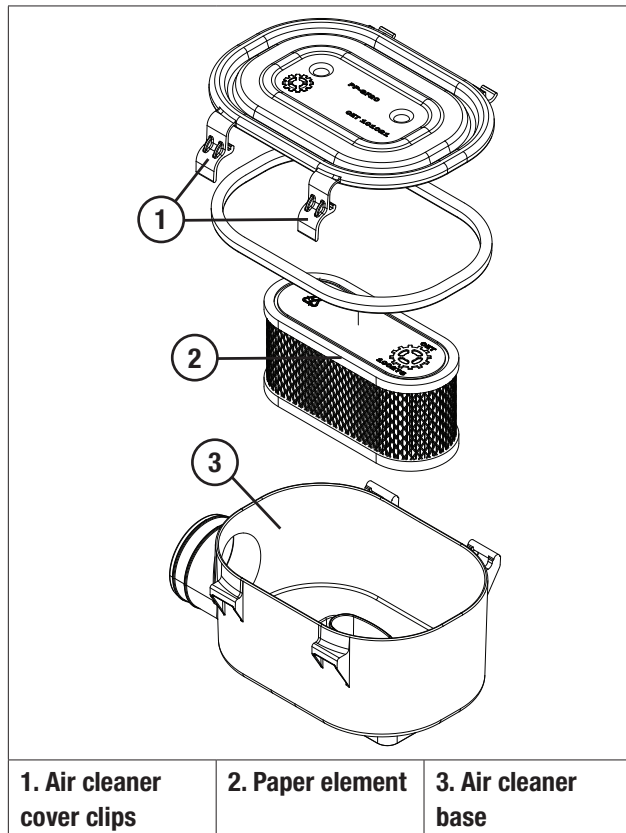


Figure 14

4. Inspect the paper element for any rips or tears. Replace if damaged.
5. Hold the paper element up to a light. You should be able to see light through the paper element, if not replace the element. Inspect air cleaner cover, remove any dirt or debris.
6. Install paper element in the air cleaner housing with the pleats facing towards the air cleaner cover.
7. Install the cover and snap the clips in place.
8. Turn the engine control module switch to its prior position.

SPARK PLUG

1. Turn the ATS to the OFF position.
2. Turn the engine control module switch to the OFF position.
3. Remove the spark plug cable from the spark plug.
4. Clean the area around the spark plug to keep dirt out of the engine and remove the spark plug.
5. Inspect the spark plug electrode and replace the plug if the electrode shows signs of deterioration.
6. Check the gap before installing the spark plug. The spark plug gap should be 0.028 – 0.031 in. (0.7 – 0.8 mm).

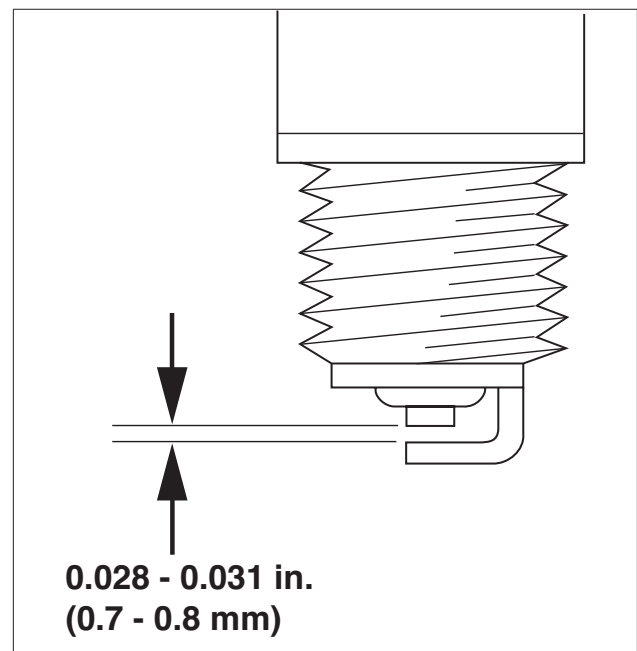


Figure 15

7. Carefully thread the spark plug into the engine and tighten to 20-30 N-m (14.8-22.1 lbf-ft).
8. Re-connect the spark plug cable.
9. Turn the engine control module switch to its prior position.
10. Turn the ATS to the AUTO position.

BATTERY MAINTENANCE

1. Turn the engine control module switch to the OFF position.
2. Inspect the battery cables and terminals for corrosion.
3. Check that the cables are securely fastened to the terminals.
4. Check the ground lug and make sure the connections are tight.
5. Check the fluid level of the battery, unless sealed. If low, top off the level using distilled water only.

Follow all battery instructions provided by the battery manufacture.

CORROSION PROTECTION

NOTICE

Never use a pressure washer to wash the interior of the generator with water.

Wash the outside of the enclosure using a mild soap and water. Use an automotive-type wax and wax the outside of the enclosure to protect it from the elements. If used in a salt water/coastal area, the enclosure should be washed more frequently to prevent corrosion. Spray light oil on the hinges for the enclosure doors.

MAINTENANCE AFTER SUBMERSION

WARNING



Never try to start or operate the generator if it has been submerged underwater or exposed to a flood.

If the generator has been in conditions where it became submerged underwater, the generator must be inspected and maintenance must be performed before returning the generator to service.

Turn engine control module and ATS control module to the OFF position. Have a authorized Champion Dealer inspect the generator and perform any necessary maintenance.

If the house or building has been exposed to a flood, it should be inspected by a certified electrician for any electrical problems that may occur if the generator is put back into service or if utility power is restored.

STORAGE

If the generator is not going to be used for several months and not exercised every 7 days, it should be prepared for storage.

1. Manually start the engine and run it for several minutes to allow it to warm up.
2. With the engine running, turn the fuel shutoff valve to the closed position and let the engine continue to run until it shuts down.
3. Once the engine has shut down, turn the engine control module switch and the ATS control module switch to the OFF position.
4. Switch the generator's main circuit breaker to the OFF (OPEN) position.
5. Turn off the utility power to the transfer switch.
6. Disconnect the battery cables. Remove the negative cable first.
7. Change the engine oil. See Changing the Engine Oil on page 25.
8. Remove the spark plug and spray fogging oil into the spark plug hole. Install the spark plug and tighten.
9. Thoroughly wash and wax the exterior of the generator enclosure. Do not use a pressure washer.

MAINTENANCE

RETURN TO SERVICE AFTER STORAGE

1. Make sure the utility power to the transfer switch is off.
2. The engine control module switch and the ATS control module switch should be in the OFF position.
3. Check the engine oil level. Add oil if needed.
4. Recharge the batteries to 100% state of charge. If the batteries will not fully charge, replace the batteries.



WARNING



Always connect the positive (+) battery cable first. After the positive cable is connected, then the negative (-) battery cable can be attached. This minimizes the possibility of electrical contact.

5. Connect the positive (+) battery cable to the positive (+) battery terminal first and then connect the negative battery cable to the negative (-) battery terminal.
6. Clean and wipe down the generator with mild soap and water.
7. Turn the fuel shutoff valve to the ON position.
8. Turn the engine control module switch to the manual position. The engine should start. Run the engine for 15 minutes to allow it to warm up. The fuel system might require more than one start cycle to fully pressurize the fuel system for operation.
9. Make sure there are not any active fault codes.
10. Turn the engine control module switch to the OFF position to shut off the engine.
11. Turn the ATS module switch to the AUTO position.
12. Turn on the utility power to the transfer switch. The utility LEDs on the ATS module should be lit.
13. Turn the engine control module switch to the ATS position.
14. Set the exercise time. See Exercise Switch on pages 18 and 19.



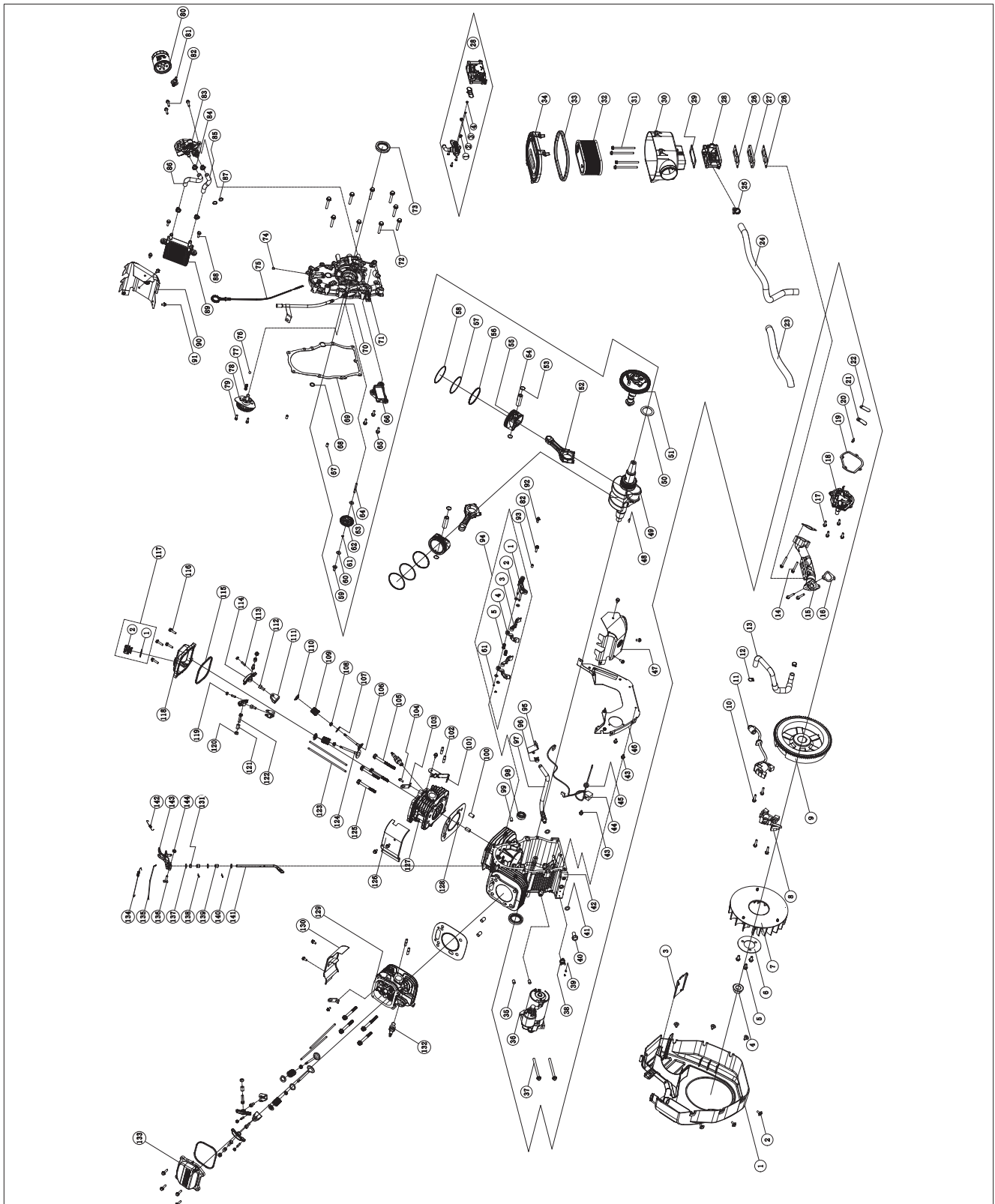
MAINTENANCE

Page intentionally left blank

MAINTENANCE



/// ENGINE PARTS



MAINTENANCE

#	Part Number	Description	Qty
1	101027	Cover, Fan, Rotating Screen With Oil Cooler Ribs	1
2	2.08.083	Bolt, Hex Flange M6 x 12	6
3	717.070004.00	Bracket, Fuel Pump	1
4	1.6177.20	Nut, M20 x 1.5 Flange	1
5	1.5789.0816	Hex Flange Bolt, M8 x 16	3
6	61.080005.00	Plate, Fan	1
7	717.080001.00	Fan, Cooling	1
8	717.123000.03	Ignition Coil Assembly, Cylinder 1, EMC	1
9	100922	Flywheel Assembly	1
10	1.5789.0629	Hex Flange Bolt, M6 x 29	4
11	717.123000.04	Ignition Coil Assembly, Cylinder 2, EMC	1
12	2.06.009	Clamp, Ø17 x Ø1.5	2
13	100303	Tube, Breather	1
14	1.16674.0640	Hex Small Flange Bolt, M6 x 40	4
15	717.130012.00	Intake Manifold	1
16	717.130011.00	Gasket, Intake Manifold	2
17	1.16674.0620	Hex Flange Bolt, M6 x 20	4
18	100486	Cover, Breather	1
19	100504	Gasket, Breather Cover	1
20	1.823.0410	Screw, Small Pan Head M4 x 10	2
21	101767	Retainer, Reed Valve	1
22	100693	Reed Valve	1
23	101482	Protective Sleeve	1
24	100342	Hose, Gaseous Fuel Id 12.7	1
25	100825	Clamp Hose Id Ø16-Ø25	1
26	100258	Gasket, Carburetor	2
27	61.130001.00	Insulator, Carburetor	1
28	100662	Mixer Assembly	1

#	Part Number	Description	Qty	
NG	1	100928	Main Jet - Right	1
	2	100929	Main Jet - Left	1
	3	100910	Slow Jet - Right	1
	4	100910	Slow Jet - Left	1
LPG	1	100909	Main Jet - Right	1
	2	100310	Main Jet - Left	1
	3	101032	Slow Jet - Right	1
	4	100671	Slow Jet - Left	1
29	717.090005.00	Gasket, Ac Assembly	1	
30	101020	Base Assembly, Air Cleaner	1	
31	1.5789.0688	Hex Flange Bolt, M6 x 88	4	
32	100275	Air Filter Assembly	1	
33	101004	Seal, Ac Base	1	
34	101847	Cover, Ac Base	1	
35	100829	Pin, Dowel Ø10 x 14	2	
36	101115	Motor Assembly, 24V Solenoid Shift Starter	1	
37	1.16674.08110	Hex Small Flange Bolt, M8 x 110	2	
38	100937	Switch, Thermal Shutdown	1	
39	1.823.0306.1	Screw, M3 x 6	2	
40	2.08.039	Bolt, Drain, M12 x 1.5 x 15	1	
41	2.03.023	Washer, Drain Bolt, Ø12.5 x Ø20 x 2	2	
42	100374	Crankcase Component	1	
43	1.5789.0612	Hex Flange Bolt M6 x 12	12	
44	61.120800.00	Diode Assembly, Engine Stop	1	
45	2.12.004	Grommet Ø9.5 x 10	1	
46	100470	Air Board, Assembly, Internal Oil Cooler	1	
47	717.080500.00	Air Guide, Outer Cylinder 1 Assembly	1	

MAINTENANCE

#	Part Number	Description	Qty
48	2.14.005	Key, Flywheel, 4 x 5.5 x 12.5	1
49	717.051101.04	Assembly, Crankshaft - Taper Pto	1
50	2.03.026	Washer, Crankshaft Thrust, Ø39 x Ø54 x 1.2	1
51	101454	Camshaft Assembly	1
52	717.050200.00	Assembly, Connecting Rod	2
53	2.09.009	Retainer, Piston Pin, Ø17 x Ø1	4
54	100968	Pin, Piston, Ø17 x 53.8 mm	2
55	102024	Piston, 78 mm, 2.75 mm, Dish Ceramic Crown	2
56	102289	Ring Assembly, Oil Control	2
57	102286	Ring, Piston, 2nd	2
58	102285	Ring, Top Piston	2
59	45.110012.00	Bushing, Governor Gear	1
60	2.03.053	Washer, Ø6.2 x Ø17 x 0.8	1
61	21.110011.00	Clip, Retaining	3
62	61.110100.00	Gear Assy, Governor	1
63	2.03.054	Washer, Ø6.2 x Ø15 x 1	1
64	45.110013.00	Shaft, Governor Gear	1
65	1.5789.0620	Hex Flange Bolt, M6 x 20	3
66	61.150300.00	Oil Filter Component	1
67	2.04.002	Location Pin Ø8 x 14	2
68	100596	O-Ring Ø12 x Ø3.5	1
69	100261	Gasket, Crankcase Cover	1
70	100726	Tube, Oil Dipstick Assembly	1
71	100268	Cover, Crankcase	1
72	1.5789.0850	Hex Flange Bolt, M8 x 50	9

#	Part Number	Description	Qty
73	2.11.010	Seal, Pto Oil, Ø38 x Ø58 x 9	2
74	61.030011.00	Plug, Crankcase Cover	1
75	100699	Blade Assembly, Oil Dipstick	1
76	1.308.9.5	Ball Ø9.5, Steel Check Valve	1
77	61.150004.00	Spring, Compression	1
78	61.151000.00	Pump Assembly, Oil	1
79	1.70.0616	Screw, M6 x 16, Socket Head Cap	2
80	101766	Filter, Oil	1
81	102446	Switch, Low Oil Shut- Down 0.6 Bar	1
82	1.16674.0625	Hex Small Flange Bolt, M6 x 25	4
83	101719	Base Assembly, Oil Filter With Oil Cooler And Oil Pressure Switch	1
84	100847	Clamp Ø17, Oil Hose	4
85	100942	Hose 2, Oil Line	1
86	100941	Hose 1, Oil Line	1
87	2.07.004	O-Ring Ø12 x Ø2.5	2
88	1.5789.0620	Hex Flange Bolt, M6 x 20	2
89	101723	Oil Cooler Assy, Internal Mount	1
90	717.080600.00	Air Guide, Outer, Cylinder 2 Assembly	1
91	1.5789.0608	Hex Flange Bolt, M6 x 8	2
92	1.16674.0616	Hex Small Flange Bolt, M6 x 16	1
93	2.04.005	Pin, Ø8 x 10, Location	1
94	101478	Follower Assembly, Camshaft	1
	1 101475	Follower Pivot Assembly, Camshaft	1
	2 2.03.021.1	Washer, Governor Shaft, Ø6.4 x Ø13 x 1	4
	3 100485	Follower, Camshaft	2
	4 61.040019.01	Follower, Camshaft	2
	5 61.041001.00	Spring, Support	2

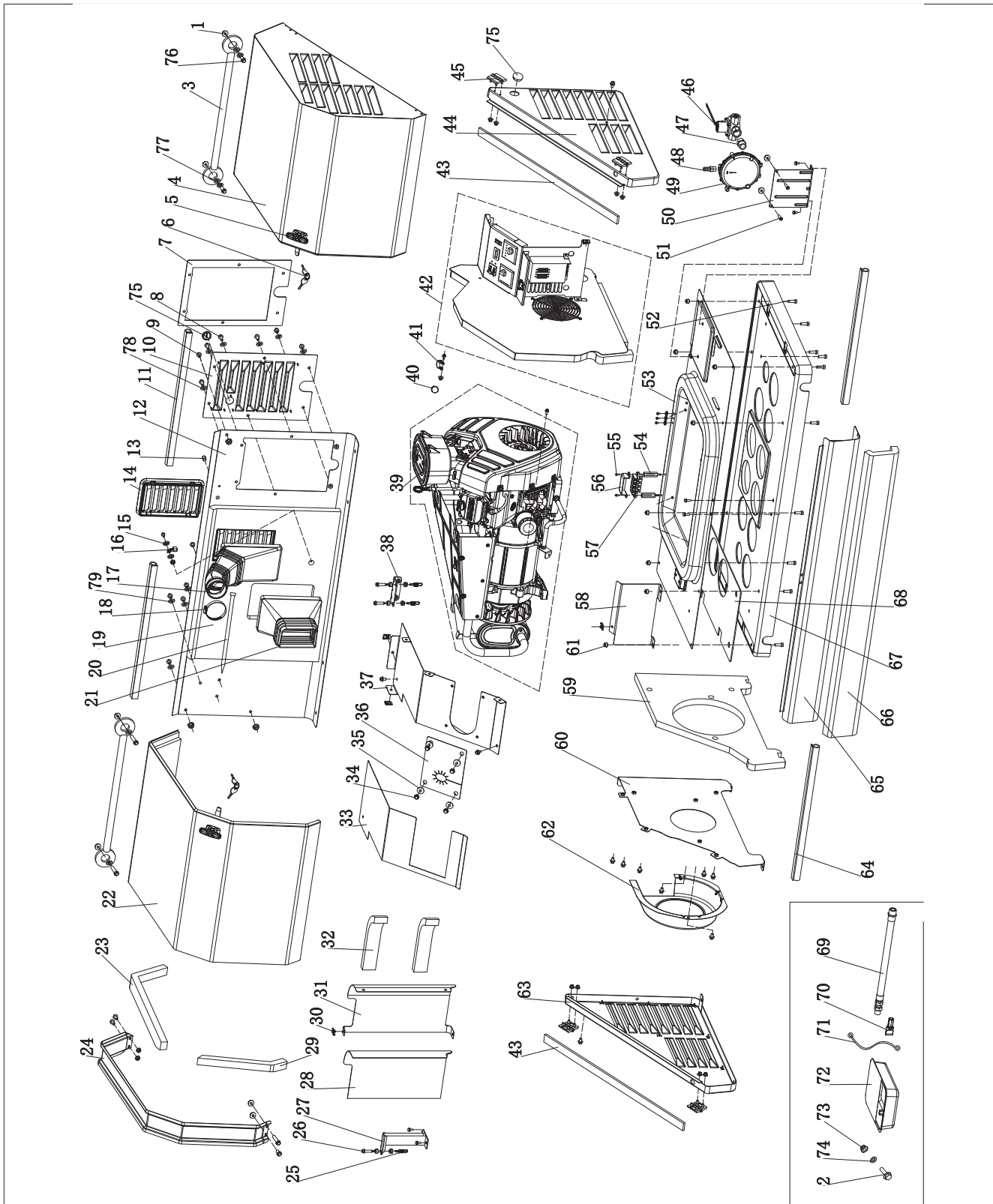
MAINTENANCE

#	Part Number	Description	Qty
95	45.030200.00	Retainer, Oil Drain Hose	1
96	2.06.013	Hose Clamp, Ø13.5 x b10	1
97	45.032000.00	Hose, Oil Drain	1
98	1.276.6003.1	Bearing, Roller Ø35 x Ø17 x 10	1
99	717.030026.01	Plug, Npt1/8-27 Hexagon Socket	1
100	2.04.004	Pin, Ø12 x 20 Location	4
101	100170	Bracket, Governor Spring	1
102	2.01.010	Bolt M8 x 35, Exhaust Stud	4
103	717.010003.00	Lift Strap	2
104	1.16674.0820	Hex Small Flange Bolt, M8 x 20	2
105	2.08.122	Bolt, Hex Flange M10 x 95	2
106	100179	Valve, Exhaust	2
107	717.040015.00	Shim, Valve Spring	2
108	101881	Oil Seal, Valve Stem	4
109	45.040003.00	Spring, Valve	4
110	45.040001.00	Retainer, Intake Valve	4
111	717.040202.00	Bracket, Rocker Arm	4
112	1.70.1.0816	Screw, M8 x 16 Socket Head Cap	4
113	22.040012.00	Adjusting, Lash	4
114	717.040200.02	Rocker Arm	4
115	101644	Gasket, Rocker Cover	2
116	1.5789.0625	Hex Flange Bolt, M6 x 25	8
117	102357	Cap, Oil Fill Assembly	1
	1 2.07.001	Seal, Cap Oil Fill, Ø25.5 x Ø3.5	1
	2 101813	Cap, Oil Fill	1
118	102261	Rocker Cover Assembly, Oil Fill	1
119	21.040021.00	Jam Nut, M6 x 0.5 mm Pitch	4

#	Part Number	Description	Qty
120	1.6170.08	Hex Nut, Gb6170, M8	4
121	717.040016.00	Sleeve, Rocker Arm	4
122	2.08.086	Bolt, M8 x 1.25 Hhw Special	4
123	717.040005.00	Push Rod	4
124	45.040002.00	Valve, Intake	2
125	2.08.014	Bolt, Hex Flange M10 x 80	6
126	717.080300.02	Air Guide Assembly, Inner Cylinder 2	1
127	717.010100.20	Head Assembly, Cylinder 2	1
128	717.030009.00	Gasket Assembly, Cylinder Head	2
129	717.010100.10	Head Assembly, Cylinder 1	1
130	717.080300.01	Air Guide, Inner Cylinder 1 Assembly	1
131	2.11.006	Shaft Oil Seal, Ø7 x Ø14 x 5	1
132	2.15.008	Spark Plug, F7RTC	2
133	102263	Rocker Cover Assembly	1
134	102428	Spring, Link Take Up	1
135	100223	Link, Governor	1
136	2.08.107	Bolt, Governor Arm	1
137	2.03.019	Washer, Ø8.2 x Ø17 x 0.8	1
138	61.110008.00	Pin, Shaft	2
139	1.5801.0810	Bearing, Roller	2
140	1.97.1.08	Washer Ø8	2
141	61.110001.00	Shaft, Governor	1
142	100432	Spring, Governor	1
143	100178	Lever, Governor Arm	1
144	1.6177.06	Nut, M6 Hexagon Flange	1

MAINTENANCE

/// ENCLOSURE AND ASSEMBLIES



MAINTENANCE

#	Part Number	Description	Qty
1	1.6177.1.06	Flange Lock Nut M6	24
2	1.5789.0615	Flange Bolt, M6 x 15	6
3	161.200507.00	Curb Chain Assembly, Cover	2
4	163.200500.61.24	Top Cover Assembly, Right, Silk Grey, Flame Retardant and textured	1
5	161.200110.00	Hook Lock Assembly	2
6	161.200110.00.01	Key, Hook Lock	2
7	161.200021.16.6	Seal, Access Cover, Flame Retardant	1
8	1.16674.0820	Flange bolt, M8 x 20	9
9	1.16674.0812	Flange bolt, M8 x 12	26
10	161.200402.60.24	Access Cover, Electric Cabinet, Silk Grey, Flame Retardant and textured	1
11	161.200109.63	Rubber Strip, 575 mm, Flame Retardant	2
12	163.200401.60.24	Rear Cover, Silk Grey, Flame Retardant and textured	1
13	5.1460.015	Indicator Light, 24 v	1
14	161.192100.60	Supporter, Air Guide, Alternator, Flame Retardant	2
15	1.862.06	Toothed Lock Washer, Ø6	5
16	5.1560.000	Ground Wire Terminal, Ø6, UL	1
17	717.090004.21	Pipe, Air Cleaner	1
18	2.06.036	Clamp, Ø75	1
19	163.200021.02.6	Acoustic Panel, Rear Center Chamber, Flame Retardant	1
20	9.3410.02	Nylon Cable Ties, 5 x 500 mm	1
21	161.192300.00	Air Guide, Alternator	1
22	163.200500.60.24	Top Cover Assembly, Left, Silk Grey, Flame Retardant and textured	1

#	Part Number	Description	Qty
23	161.200021.17.6	Seal Strip, Top Cover, Long, 625 x 50 x 25 mm, Flame Retardant	1
24	161.201600.02.1	Gutter, Black	1
25	161.100006.00	Spring, Muffler	3
26	2.08.119	Flange Bolt M8 x 35, Muffler	3
27	163.1010005.00.2	Supportor, Muffler, Bottom, Black	1
28	161.200021.13.6	Acoustic Panel, Muffler Cover, Front, Flame Retardant	1
29	161.200021.18.6	Seal Strip, Top Cover, Short, 50 x 320 x 25 mm, Flame Retardant	1
30	2.02.032	Cage Nut, M8	4
31	161.200017.63.24	Muffler Cover, Back, Silk Grey, Flame Retardant and textured	1
32	161.200021.15.6	Foams, Muffler Cover, Back, Flame Retardant	2
33	163.200021.03.6	Acoustic Panel, Muffler Cover, top, Flame Retardant	1
34	1.5789.0612	Flange Bolt, M6 x 12	8
35	2.03.004	Washer, Ø24 x Ø6.5 x 1.5	4
36	163.200017.01	Thermal Baffle	1
37	163.200017.60.24	Muffler Cover, Top, Silk Grey, Flame Retardant and textured	1
38	161.1010005.00.2	Supportor, Muffler, Top, Black	1
39	100136.901	Generator Assembly	1
40	2.06.035	Clamp, Ø23.5	1
41	2.06.037	Clamp, Ø28	1
42	100136.902	Control Panel Assembly	1
43	161.200021.02.6	Seal Strip, Right/Left Cover, Flame Retardant	2

MAINTENANCE

#	Part Number	Description	Qty
44	161.200300.60.24	Right Cover Assembly, Silk Grey, Flame Retardant and textured	1
45	161.201900.00	Hinge	4
46	161.134100.00	Solenoid Valve, LPG/NG	1
47	161.133106.01	Nipple, NPT 3/4	1
48	161.133106.00	Nipple, NPT 3/8	1
49	161.136000.00	Pressure Reducing Valve, LPG/NG	1
50	161.200018.00	Supportor, Pressure Reducing Valve	1
51	1.5789.0629	Flange bolt, M6 x 29	2
52	1.5783.0825	Bolt, M8 x 25	8
53	161.200601.60.24	Base Center, Silk Grey, Flame Retardant and textured	1
54	2.08.133	Male Female bolt, M5 x 50	2
55	1.16674.0516	Flange bolt, M5 x 16	2
56	161.210018.00	Cover, Terminal Block	1
57	161.210011.02	Terminal Block, 60A, 90° Angle	1
58	161.200017.61.24	Muffler Cover, Front, Silk Grey, Flame Retardant and textured	1
59	163.200021.00.6	Acoustic Panel, Left Firewall, Flame Retardant	1
60	163.200005.61.24	Firewall, Left, Silk Grey, Flame Retardant and textured	1
61	1.6177.1.08	Flange Lock Nut, M8	21
62	163.192300.00.2	Fan Cover, Rotor, Black	1
63	161.200200.60.24	Left Cover, Silk Grey, Flame Retardant and textured	1
64	161.200109.62	Rubber Strip, 530 mm, Flame Retardant	2
65	161.200101.60.24	Front Cover, Silk Grey, Flame Retardant and textured	1

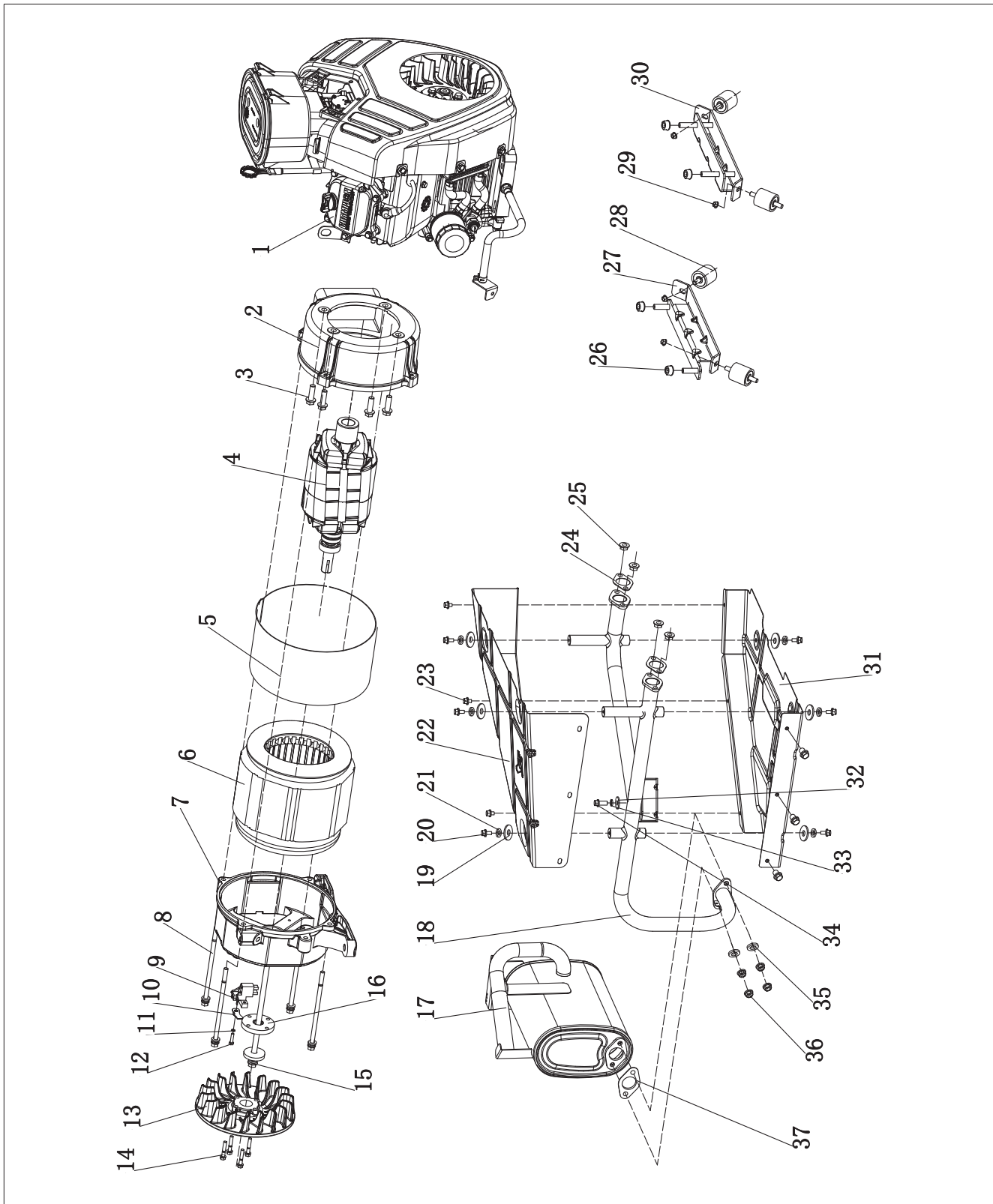
#	Part Number	Description	Qty
66	161.200021.11.6	Foams, Front Cover, Flame Retardant	1
67	161.201800.00	Plastic Pallet, PP	1
68	163.200021.10.6	Foams, Heat Insulation, Flame Retardant	1
69	163.130021.01	LPG Hose With NPT3/4 Nipple	1
70	9.1120.001	Screwdriver, Jet	1
71	5.1900.074	Battery Jump Wire, 275 mm, 6 AWG	1
72	161.200023.00.1	Oil Container, Black	1
73	1.6182.06	Lock Nut M6, Flange	4
74	1.97.1.06	Washer, Ø6	4
75	161.080007.00	Cap, Ø35	2
76	1.5789.0620	Flange Bolt, M6 x 20	4
77	1.97.1.08	Washer, Ø8	4
78	2.03.065	Insulating Washer, Ø8 × Ø17	16
79	2.03.064	Insulating Washer, Ø6 × Ø12	4



MAINTENANCE

MAINTENANCE

/// ALTERNATOR AND EXHAUST SYSTEM



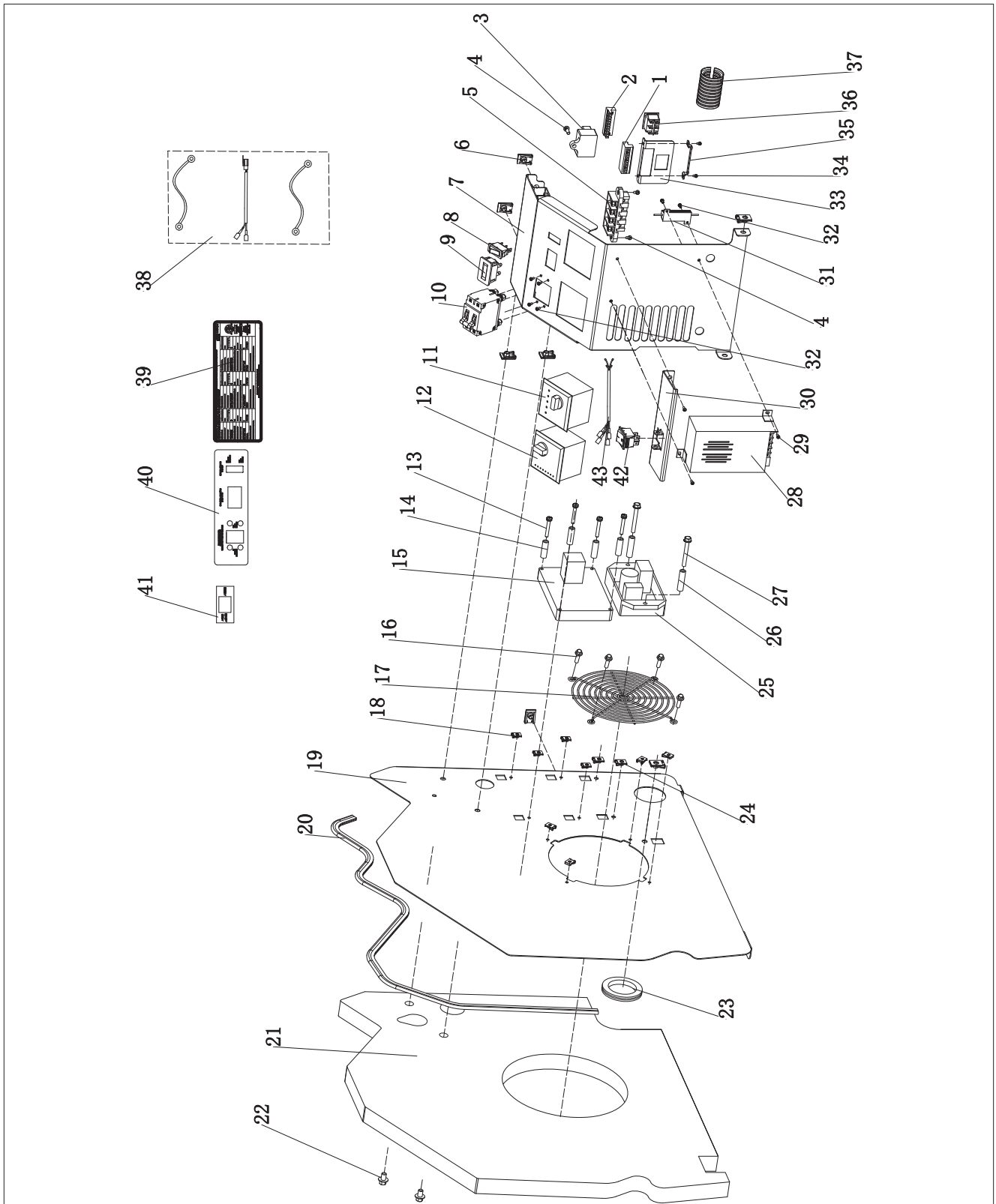
MAINTENANCE

#	Part Number	Description	Qty
1	100185	Engine	1
2	161.190007.00	Front Housing, Stator	1
3	1.5789.1022	Flange Bolt, M10 x 22	4
4	163.191100.00	Rotor Component, Ø135 x 160	1
5	163.191002.00	Stator Cover	1
6	163.191200.00	Stator Assembly, Ø230 x 160	1
7	161.190002.00	End Housing, Stator	1
8	2.08.112	Bolt Assembly, M8 x 210	4
9	161.190300.00	Carbon Brush Assembly	1
10	122.190004.01	Pinch, Carbon Brush	1
11	1.93.05	Lock Washer, Ø5	1
12	1.5783.0520	Bolt, M5 x 20	1
13	164.190001.00	Rotor Fan, 12.5 KW, Aluminum	1
14	1.5789.0629	Flange Bolt, M6 x 29	4
15	2.08.115	Flange Bolt Assembly, M10 x 375	1
16	164.190019.00	Flange Plate, Fan	1
17	163.101000.00	Muffler Assembly	1
18	163.101001.00	Exhaust Pipe	1
19	2.03.004	Washer, Ø24 x Ø6.5 x 1.5	6
20	1.5789.0615	Flange bolt, M6 x 15	6
21	1.93.06	Lock Washer, Ø6	6
22	163.080009.00.2	Air Guide, Muffler Pipe, Above	1
23	1.9074.17.0612	Screw/Washer Assembly, M6 x 12	6
24	717.100001.00	Gasket, Exhaust Pipe	2
25	1.6187.1.08	Nut, M8	4
26	1.6177.1.10	Flange Lock Nut, M10	4
27	161.201600.01	Supportor, End Housing	1
28	161.200605.00	Motor Mount	4
29	1.6177.1.08	Flange Lock Nut, M8	4

#	Part Number	Description	Qty
30	161.201600.00	Supportor, Engine	1
31	163.080009.01.2	Air Guide, Muffler Pipe, Bottom	1
32	1.96.08	Washer, Ø8	1
33	1.93.08	Lock Washer, Ø8	1
34	1.16674.0825	Flange Bolt, M8 x 25	1
35	1.7244.10	Lock Washer, Ø10	2
36	1.6187.1.10	Nut, M10	4
37	161.101002.00	Gasket, Muffler	1

MAINTENANCE

/// CONTROL PANEL



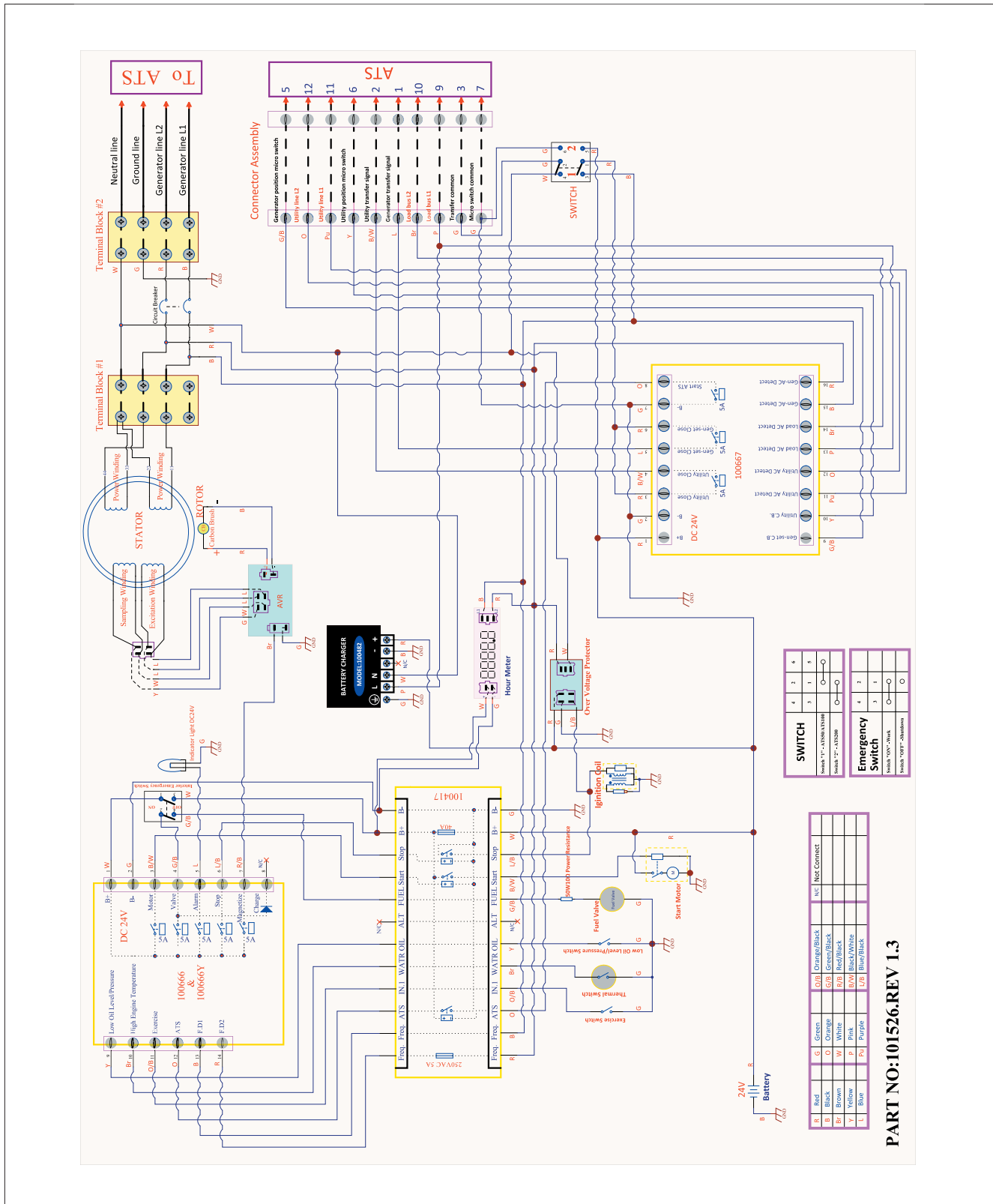
MAINTENANCE

#	Part Number	Description	Qty
1	5.1600.010	Connector, Ten Holes, Male	1
2	5.1610.010	Connector, Ten Holes, Female	1
3	5.1810.007	Over Voltage Protector	1
4	1.818.0514	Screw, M5 x 14	3
5	161.210011.03	Terminal Block, 60A, 90° Angle	1
6	2.02.032	Cage Nut, M8	7
7	163.200004.60.24	Cover, Electric Cabinet, Silk Grey, Flame Retardant and textured	1
8	5.1000.006.3	Switch, UL, Red	1
9	5.1420.002	Hour Meter	1
10	5.1241.952	52Amp Circuit Breaker, Double Pole, UL	1
11	5.1850.004	ATS Controller, ATS100	1
12	5.1850.003.Y	Generator Controller, 100666Y	1
13	1.5789.0550	Flange Bolt, M5 x 50	4
14	2.13.028	Bushing, Ø5.5 x Ø14 x 25	4
15	5.1850.005	Relay Module, Engine	1
16	2.08.068	Flange Bolt, M5 x 13	4
17	161.200020.00	Grille	1
18	2.02.030	Cage Nut M5	8
19	163.200005.60.24	Firewall, Right, Silk Grey, Flame Retardant and textured	1
20	163.200109.60	Rubber Strip, 1000 mm, Flame Retardant	1
21	163.200021.01.6	Foams, Right Firewall, Flame Retardant	1
22	1.16674.0812	Flange Bolt, M8 x 12	3
23	163.210003.00	Grommet, Wire	1
24	2.02.031	Cage Nut, M6	2
25	161.190200.00	AVR, TT91-15U	1
26	2.13.029	Bushing, Ø7 x Ø14 x 50	2
27	1.5789.0675	Flange Bolt, M6 x 75	2

#	Part Number	Description	Qty
28	5.1820.003	Charger, Battery, 24V	1
29	1.9074.4.0414.2	Screw, M4 x 14	3
30	163.200004.61.24	Cover, Charger, Silk Grey, Flame Retardant and textured	1
31	5.1860.004	Electrical Resistance, GH-RX24-50W	1
32	1.9074.4.0306	Screw, M3 x 6	6
33	164.200018.00.24	Supportor, Switch, Silk Grey	1
34	1.823.0412	Screw, M4 x 12	2
35	161.210017.00	Supportor, Ten Holes, Connector	1
36	5.1000.008.1	Switch, Black	1
37	5.1320.017	Plastic Conduit, CSA, 50mm	1
38	100237.21.10.V1.0	Wire Assembly	1
39	163.230004.00.V1.0	Decal, Nameplate, 100136	1
40	163.230003.00.V1.0	Decal, Control Panel, 100136	1
41	100237.230005.00	Decal, ATS Selector	1
42	5.1050.009	Switch, UL, Black	1
43	100237.21.20	Wire Assembly, Shutdown Switch	1

MAINTENANCE

WIRING DIAGRAM



PART NO:101526.REV 1.3

TROUBLESHOOTING

TROUBLESHOOTING HSB

The number one problem which relates to starting, output and performance is "Fuel Pressure Insufficient". Utility fuel regulator and pipe sized to small which can be compounded by pipe run distance to long for the size of pipe installed. Confirm fuel pressure to the fuel regulator during No-load and Load operation.

ENGINE WILL NOT CRANK/TURN OVER		
1	HSB set in "OFF" mode.	Place the HSB controllers in the proper AUTO and ATS start positions.
2	Battery not connected or loose, corroded posts or wires	Connect the batteries according to owner's manual, clean and tighten the battery connections
3	Battery(s) not charged or low charge.	Recharge or replace battery(s).
4	Check for active fault code.	Identify fault code, correct and reset.
5	Defective starter solenoid *	
6	Defective starter *	

GENERATOR WILL CRANK/TURN OVER BUT WILL NOT START		
1	Check for active fault code.	Identify fault code, correct and reset.
2	Fuel valve(s) turned off.	Turn on fuel supply.
3	Fuel pressure insufficient*.	Manometer check, confirm fuel pressure to fuel regulator*.
4	Weak battery(s).	Recharge or replace battery(s)
5	Low oil level.	Check for oil leaks. Check the oil level and add oil if necessary.
6	Spark plug wire is disconnected.	Connect spark plug wire.
7	Defective fuel solenoid/regulator. *	

ENGINE STARTS, RUNS ROUGH		
1	Fuel pressure insufficient*.	Manometer check, confirm fuel pressure to fuel regulator*.
2	Wrong fuel jets.	Check jets for NG or LPG, change to correct Master Mixer fuel jets.
3	Faulty spark plug, loose spark plug wire.	Change spark plug, set gap, connect wire.
4	Plugged air cleaner	Clean or replace air cleaner.
5	Generator overloaded*.	Remove one or more loads*.
6	Shorted circuit *	

HSB STARTS, THEN SUDDENLY STOPS		
1	Check for active fault code.	Identify fault code, correct and reset.
2	Fuel supply insufficient*	Manometer check, confirm fuel pressure to fuel regulator*.
3	Low oil, pressure shut down	Check for oil leaks. Check the oil level and add oil if necessary.
4	Generator over loaded	Turn off standby circuits for house, reset fault, place unit back into AUTO and ATS mode. Turn on standby circuits for house. If problem returns contact Champion or Champion service dealer*.
5	Engine high/over temperature shut down	Check all intake and exhaust ventilation around the HSB, remove all debris. Let HSB sit for 30 minutes to cool down.

TROUBLESHOOTING



NO AC OUTPUT		
1	HSB set in "TEST" mode	Place HSB in AUTO and ATS mode.
2	Circuit breaker in "OFF" position	Turn on breaker.
3	ATS control in "OFF" mode	Place ATS module in ATS mode.
4	Main circuit breaker in "OFF" position.	Turn on breaker.
5	Transfer switch breaker in "OFF" position.	Turn on breaker.
6	Standby breakers set in "OFF" position.	Turn on breaker.
7	Line circuit tripping breaker because of short circuit *	
8	Line circuit tripping breaker because of overload *	
9	Poor wiring connections*	
10	ATS problems*	

LED INDICATORS

In all cases when the LED is GREEN, this is an indicator that the HSB is performing properly.

In all cases when the LED is RED, this is an indicator that the HSB has registered a fault and must be corrected. Only the "LOW BATTERY LED" will not latch out or shut down the HSB. All other RED LED faults will latch out, shut down, disable starting and light the RED LEDS on the Engine Control Module and the exterior fault code light on the backside of the HSB.

RESET FAULT CODE(S)

There is an exterior fault code indicator light located on the back of the enclosure. This should be checked weekly to make sure there are no active fault codes.

The fault code(s) can be reset by placing the Engine Control Module in the OFF position for 10 seconds and then placed into ATS mode. This will reset fault LED, however if a fault code(s) re-occurs it must be addressed.

BATTERY(S) NO OR LOW LEVEL CHARGED, BATTERY(S) DEAD, NEEDS REPLACEMENT, THE EXERCISE TIME MUST BE RESET ONCE THE BATTERY(S) HAVE BEEN DISCONNECTED.

*Contact Champion Power Equipment, Technical Service toll free 1-877-338-0999,

tech@championpowerequipment.com or your nearest Champion dealer.

www.championpowerequipment.com

ADDITIONAL INFORMATION

IDENTIFY/SELECT STANDBY CIRCUITS

IDENTIFY THE BASIC NEEDS

It is very important to understand what items the home owner wants powered by the HSB during a utility failure. The selection of these items will indicate which circuits will be selected for connection to the ATS so that they are powered by the HSB. Unforeseen power outages can last from minutes to days, so it is important to focus circuit selections on those that power household items that are deemed essential and within the output capability of the HSB.

An authorized or certified dealer or electrician can come to your home and measure the loads with a clamp-on AMP meter which would provide accurate load demands for each circuit tested.

Once you have identified the customer needs, you can properly size the HSB by referring to the sizing guide provided by Champion, www.championpowerequipment.com or call Champion 1-877-338-0999.

Circuits must be protected by the same size breaker. For example, a 15 amp 120 volt circuit in the ATS will replace a 15 amp 120 volt circuit in the main utility distribution panel. When tied together or backed up, the breakers must be the same size.

SURGE PROTECTION

CAUTION

Voltage fluctuation may impair the proper functioning of sensitive electronic equipment.

Electronic devices, including computers and many programmable appliances use components that are designed to operate within a narrow voltage range and may be affected by momentary voltage fluctuations. While there is no way to prevent voltage fluctuations, you can take steps to protect sensitive electronic equipment.

1. Install UL1449, CSA-listed, plug-in surge suppressors on the outlets feeding your sensitive equipment. Surge suppressors come in single or multi-outlet styles. They're designed to protect against virtually all short-duration voltage fluctuations.

ADDITIONAL INFORMATION

CUSTOMER FAMILIARIZATION SUMMARY

It's important to educate the home owner on proper maintenance, operation and service call procedures. A properly educated home owner can reduce unnecessary service trips and phone calls.

Ensure that the installation of the HSB and ATS has been correctly performed as outlined by the manufacturer and that it meets all applicable codes.

Test and confirm proper operation of the HSB and ATS system as outlined in the appropriate installation and owner's manuals.

Educate the home owner on the location and operation of;

- Full flow shutoff valve
- Automatic operation of the HSB system
- Engine Control Module and LED indicators
- ATS Module and LED indicators
- Battery Charger and LED indicators
- Exterior fault code indicator LED on the backside of the HSB
- ATS operation
- Exercise scheduled time of operation
- Scheduled Maintenance
- Fill out and provide the customer a copy of the HSB, ATS model & serial number reference. This information is extremely important for part purchases and service information, these numbers are specific to each HSB and ATS.
- Fill out and provide the customer a copy of the ATS back-up circuits.
- Fill out the Circuit Label inside the ATS.

It's always a good business practice to place business cards in the Owner's and Installation manuals and place dealer stickers on the HSB and ATS for the customer's reference.

NOTICE

By law it is required in many states to have a Carbon Monoxide (CO) detector in operating condition in your home. Carbon Monoxide detector(s) must be installed and maintained indoors according to the manufacturer's instructions. A CO monitor is an electric device that detects hazardous levels of CO. When there is a buildup of CO, the monitor will alert the occupants by flashing a visual light indicator and an audible alarm. Smoke alarms cannot detect CO gas.

CO gas is odorless, colorless and tasteless and is unlikely to be noticed until a person is overcome. Standby generators emit carbon monoxide (CO) gas in the engine exhaust.

////// ADDITIONAL INFORMATION

HSB, ATS MODEL & SERIAL REFERENCE ATS BACK-UP CIRCUITS

HSB Model Number _____

HSB Serial Number _____

Fuel Type LPG _____ NG _____

ATS Model Number _____

ATS Serial Number _____

ATS circuits powered _____

Date Installed _____

Dealer/Installer _____

Address _____

Phone _____

Cell _____

Purchased from _____



Champion Power Equipment

12039 Smith Ave.

Santa Fe Springs, CA 90670 USA

Made in China



10 Year Limited Warranty* Basic Warranty Provisions

Champion Air-Cooled 8.5kW – 20kW Home Standby Units USA and Canadian Models

For a period of 10 years or 2000 hours (whichever occurs first) from successful activation by an Authorized Champion Home Standby Dealer, Champion Power Equipment will, at its option, repair or replace any part(s) which upon examination, inspection and testing by Champion Power Equipment or an Authorized Champion Home Standby Dealer is found to be defective under normal use and service, in accordance with the Warranty Schedule set forth below.

Any equipment that the purchaser/owner claims to be defective must be examined by the nearest Authorized/Certified Champion Home Standby Service Dealer. This warranty applies only to Champion Power Equipment automatic standby generators used in "Standby" applications as Champion has defined Standby. Scheduled Maintenance, as outlined by the generator owner's manual is required. This Scheduled Maintenance should be performed by an Authorized/Certified Champion Home Standby Service Dealer.

WARRANTY SCHEDULE

Years 1 and 2 – Limited comprehensive coverage on mileage, labor and parts
Years 3 through 10 – Limited comprehensive coverage on parts only

GUIDELINES:

- Warranty begins upon the successful activation of the unit.
- Unit should be Registered and Proof of Purchase and Maintenance must be available.
- Warranty is transferable between ownership of original installation site.
- Warranty only applies to permanently wired and mounted units.
- Any and all warranty repairs and/or concerns must be performed and/or addressed by an Authorized/Certified Champion Home Standby Service Dealer. Repairs or diagnostics performed by individuals other than Authorized/Certified Champion Home Standby Service Dealers not authorized in writing by Champion Power Equipment will not be covered.
- A Champion approved Transfer Switch is highly recommended to be used in conjunction with the generator set. The Champion Transfer Switch is covered under its own, separate warranty listed in the Transfer Switch Instruction Manual and is not covered under this warranty schedule.
- If a Non-Champion approved Transfer Switch is substituted for use and directly causes damage to the generator set, no warranty coverage shall apply.
- Steel enclosures are warranted against rusting for the first year of ownership only. Damage caused after receipt of generator is the responsibility of the owner and is not covered by this warranty. Nicks, scrapes, dents or scratches to the painted enclosure should be repaired promptly by the owner.
- All warranty expense allowances are subject to the conditions defined in Champion Power Equipment "Home Standby" Warranty Policy and Procedures Manual.

THIS WARRANTY SHALL NOT APPLY TO THE FOLLOWING:

Original installation or start-up costs

Champion Home Standby generators that utilize non-Champion Power Equipment replacement parts

Costs of normal maintenance (i.e. tune-ups, associated part(s), adjustments, loose/leaking clamps, installation and start-up)

Units sold, rated or used for "Prime Power", "Trailer Mounted" or "Rental Unit" applications

Damage to generator system (including transfer switch) caused by improper installation or costs necessary to correct installation

Units used for Prime Power in place of existing utility power (where utility power is present) or in place of utility power where utility power service does not normally exist. Prime power includes any application that does not use the utility grid for electric power (example: Solar power)

Fuel connections other than conventional utility company supplied natural gas systems or conventional LP vapor withdrawal systems

Any failure caused by contaminated fuels, oils or lack of proper fuels, oils or failure to perform scheduled maintenance and service the air filter

Steel enclosures that are rusting due to the improper installation, location in a harsh or saltwater environment or scratched where integrity of paint applied is compromised

Failures due, but not limited, to normal wear and tear, accident, misuse, abuse, negligence or improper installation. As with all mechanical devices, the Champion engines need periodic part(s) service and fluid replacement to perform as designed.

Failures caused by any external cause or act of God, such as collision, theft, vandalism, riot or wars, nuclear holocaust, fire, freezing, lightning, earthquake, windstorm, hail, volcanic eruption, water or flood, tornado or hurricane

Damage related to rodent and/or insect infestation

Covered warranty labor rates are based on normal working hours. Overtime, holiday, or emergency labor costs for repairs outside of normal business hours will be the responsibility of the customer

Any incidental, consequential or indirect damages caused by defects in materials or workmanship, or any delay in repair or replacement of the defective part(s)

Failure due to misapplication to provide sufficient cooling air and to regularly exercise the generator under load

Telephone, cellular phone, facsimile, internet access or other communication expenses

Living or travel expenses of person(s) performing service, except as specifically included within the terms of a specific unit warranty period

Expenses related to "customer instruction" or troubleshooting where no manufacturing defect is found

Rental equipment used while warranty repairs are being performed and/or overnight freight costs for replacement part(s)

Costs incurred for equipment used for removal and/or reinstallation of generator, (i.e.: cranes, hoists, lifts, etc.)

Planes, ferries, railroad, buses, helicopters, snowmobiles, snow-cats, off-road vehicles or any other mode of transport deemed abnormal

Starting batteries, fuses, light bulbs, engine fluids, and spark plugs

THIS WARRANTY AND THE ATTACHED U.S. EPA and/or CARB WARRANTY ARE IN LIEU OF ALL OTHER WARRANTIES, EXPRESS OR IMPLIED, INCLUDING WARRANTIES OF MERCHANTABILITY OR FITNESS FOR A PARTICULAR PURPOSE.

Any implied warranties which are allowed by law, shall be limited in duration to the terms of the express warranty provided herein. Some states do not allow limitations on how long an implied warranty lasts, so the above limitation may not apply to purchaser/owner.

CHAMPION POWER EQUIPMENT'S ONLY LIABILITY SHALL BE THE REPAIR OR REPLACEMENT OF PART(S) AS STATED ABOVE. IN NO EVENT SHALL CHAMPION POWER EQUIPMENT BE LIABLE FOR ANY INCIDENTAL, OR CONSEQUENTIAL DAMAGES, EVEN IF SUCH DAMAGES ARE A DIRECT RESULT OF CHAMPION POWER EQUIPMENT'S NEGLIGENCE.

Some states do not allow the exclusion or limitation of incidental or consequential damages, so the above limitations may not apply to purchaser/owner. Purchaser/owner agrees to make no claims against Champion Power Equipment based on negligence. This warranty gives purchaser/owner specific legal rights. Purchaser/owner also may have other rights that vary from state to state.

To obtain warranty service or your nearest Champion Home Standby Dealer call Champion Power Equipment Customer Service toll free 1-877-338-0999.

Contact Information

Address

Champion Power Equipment, Inc.
Customer Service
12039 Smith Avenue
Santa Fe Springs, CA 90670
www.championpowerequipment.com

Customer Service and Technical Support

Toll Free: 1-877-338-0999
hsb@cpeauto.com
Fax No.: 1-562-236-9429

*Except as otherwise stipulated in any of the following enclosed Emission Control System Warranties (when applicable) for the Emission Control System: U.S. Environmental Protection Agency (EPA) and/or California Air Resources Board (CARB).

**CHAMPION POWER EQUIPMENT, INC. (CPE)
AND THE UNITED STATES ENVIRONMENT PROTECTION AGENCY (U.S. EPA)
EMISSION CONTROL SYSTEM WARRANTY**

Your Champion Power Equipment (CPE) engine complies with U.S. EPA emission regulations.

YOUR WARRANTY RIGHTS AND OBLIGATIONS:

The US EPA AND CPE are pleased to explain the Federal Emission Control Systems Warranty on your 2021 small off-road engine (SORE) and engine powered equipment. New engines and equipment must be designed, built and equipped, at the time of sale, to meet U.S. EPA regulations for small off-road engines (SORE). CPE warrants the emission control system on your small off-road engine (SORE) and equipment for the period of time listed below, provided there has been no abuse, neglect, unapproved modification, or improper maintenance of your equipment.

Your emission control system may include parts such as the carburetor, fuel-injection system, the ignition system, catalytic converter and fuel lines. Also included may be hoses, belts, connectors and other emission related assemblies. Where a warrantable condition exists, CPE will repair your small off-road engine (SORE) at no cost to you including diagnosis, parts and labor.

MANUFACTURER'S EMISSION CONTROL SYSTEM WARRANTY COVERAGE:

This emission control system is warranted for two years, subject to provisions set forth below. If, during the warranty period, an emission related part on your engine is defective in materials or workmanship, the part will be repaired or replaced by CPE.

OWNER WARRANTY RESPONSIBILITIES:

As the small off-road engine (SORE) owner, you are responsible for the performance of the required maintenance listed in your Owner's Manual. CPE recommends that you retain all your receipts covering maintenance on your small off-road engine (SORE), but CPE cannot deny warranty solely for the lack of receipts or for your failure to ensure the performance of all scheduled maintenance.

As the small off-road engine (SORE) owner, you should however be aware that CPE may deny you warranty coverage if your small, off-road engine (SORE) or a part has failed due to abuse, neglect, improper maintenance or unapproved modifications.

You are responsible for presenting your small off-road engine (SORE) to an Authorized CPE service outlet or alternate service outlet as described in (3)(f.) below, CPE dealer or CPE, Santa Fe Springs, Ca. as soon as a problem exists. The warranty repairs should be completed in a reasonable amount of time, not to exceed 30 days.

If you have any questions regarding your warranty rights and responsibilities, you should contact:

Champion Power Equipment, Inc.
Customer Service
12039 Smith Ave.
Santa Fe Springs, CA 90670
1-877-338-0999
tech@championpowerequipment.com

EMISSION CONTROL SYSTEM WARRANTY

The following are specific provisions relative to your Emission Control System (ECS) Warranty Coverage.

- 1. APPLICABILITY:** This warranty shall apply to 1997 and later model year small off-road engines (SORE). The ECS Warranty Period shall begin on the date the new engine or equipment is delivered to its original, end-use purchaser, and shall continue for 24 consecutive months thereafter.
- 2. GENERAL EMISSIONS WARRANTY COVERAGE**

CPE warrants to the original, end-use purchaser of the new engine or equipment and to each subsequent purchaser that each of its small off-road engines (SORE) is:

 - 2a. Designed, built and equipped so as to conform to U.S. EPA emissions standards for spark-ignited engines at or below 19 kilowatts.
 - 2b. Free from defects in materials and workmanship that cause the failure of a warranted part to be identical in all material respects to the part as described in the engine manufacturer's application for certification for a period of two years.
- 3. THE WARRANTY ON EMISSION-RELATED PARTS WILL BE INTERPRETED AS FOLLOWS:**
 - 3a. Any warranted part that is not scheduled for replacement as required maintenance in the Owners Manual shall be warranted for the ECS Warranty Period. If any such part fails during the ECS Warranty Period, it shall be repaired or replaced by CPE according to Subsection "d" below. Any such part repaired or replaced under the ECS Warranty shall be warranted for any remainder of the ECS Warranty Period.
 - 3b. Any warranted, emissions-related part which is scheduled only for regular inspection as specified in the Owners Manual shall be warranted for the ECS Warranty Period. A statement in such written instructions to the effect of "repair or replace as necessary", shall not reduce the ECS Warranty Period. Any such part repaired or replaced under the ECS Warranty shall be warranted for the remainder of the ECS Warranty Period.
 - 3c. Any warranted, emissions-related part which is scheduled for replacement as required maintenance in the Owner's Manual shall be warranted for the period of time prior to the first scheduled replacement point for that part. If the part fails prior to the first scheduled replacement, the part shall be repaired or replaced by CPE according to Subsection "d" below. Any such emissions-related part repaired or replaced under the ECS Warranty, shall be warranted for the remainder of the ECS Warranty Period prior to the first scheduled replacement point for such emissions-related part.
 - 3d. Repair or replacement of any warranted, emissions-related part under this ECS Warranty shall be performed at no charge to the owner at a CPE Authorized Service Outlet.
 - 3e. The owner shall not be charged for diagnostic labor which leads to the determination that a part covered by the ECS Warranty is in fact defective, provided that such diagnostic work is performed at a CPE Authorized Service Outlet.
 - 3f. CPE shall pay for covered emissions warranty repairs at non-authorized service outlets under the following circumstances:
 - i. The service is required in a population center with a population over 100,000 according to U.S. Census 2000 without a CPE Authorized Service Outlet AND
 - ii. The service is required more than 100 miles from a CPE Authorized Service Outlet. The 100 mile limitation does not apply in the following states: Alaska, Arizona, Colorado, Hawaii, Idaho, Montana, Nebraska, Nevada, New Mexico, Oregon, Texas, Utah and Wyoming.
 - 3g. CPE shall be liable for damages to other original engine components or approved modifications proximately caused by a failure under warranty of an emission-related part covered by the ECS Warranty.
 - 3h. Throughout the ECS Warranty Period, CPE shall maintain a supply of warranted emission-related parts sufficient to meet the expected demand for such emission-related parts.
 - 3i. Any CPE Authorized and approved emission-related replacement part may be used in the performance of any ECS Warranty maintenance or repair and will be provided without charge to the owner. Such use shall not reduce CPE's warranty obligation.
 - 3j. Unapproved add-on or modified parts may not be used to modify or repair a CPE engine. Such use voids this ECS Warranty and shall be sufficient grounds for disallowing an ECS Warranty claim. CPE shall not be liable hereunder for failures of any warranted parts of a CPE engine caused by the use of such an unapproved add-on or modified part.

EMISSION-RELATED PARTS INCLUDE THE FOLLOWING: (using those portions of the list applicable to the engine)

Systems covered by this warranty	Parts Description
Fuel Metering System	Fuel regulator, Carburetor and internal parts
Air Induction System	Air cleaner, Intake manifold
Ignition System	Spark plug and parts, Magneto ignition system
Exhaust System	Exhaust manifold, catalytic converter
Miscellaneous Parts	Tubing, Fittings, Seals, Gaskets, and Clamps associated with these listed systems.
Evaporative Emissions	Fuel Tank, Fuel Cap, Fuel Line (for liquid fuel and fuel vapors), Fuel Line Fittings, Clamps, Pressure Relief Valves, Control Valves, Control Solenoids, Electronic Controls, Vacuum Control Diaphragms, Control Cables, Control Linkages, Purge Valves, Gaskets, Vapor Hoses, Liquid/Vapor Separator, Carbon Canister, Canister Mounting Brackets, Carburetor Purge Port Connector

TO OBTAIN WARRANTY SERVICE:

You must take your CPE engine or the product on which it is installed, along with your warranty registration card or other proof of original purchase date, at your expense, to any Champion Power Equipment dealer who is authorized by Champion Power Equipment, Inc. to sell and service that CPE product during his normal business hours. Alternate service locations defined in Section (3)(f.) above must be approved by CPE prior to service. Claims for repair or adjustment found to be caused solely by defects in material or workmanship will not be denied because the engine was not properly maintained and used.

If you have any questions regarding your warranty rights and responsibilities, or to obtain warranty service, please write or call Customer Service at Champion Power Equipment, Inc.

Champion Power Equipment, Inc.
12039 Smith Ave.
Santa Fe Springs, CA 90670
1-877-338-0999
Attn.: Customer Service
tech@championpowerequipment.com