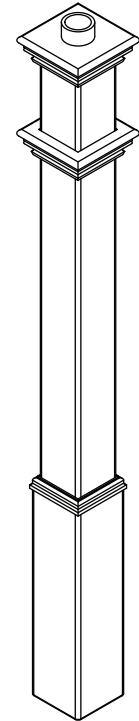
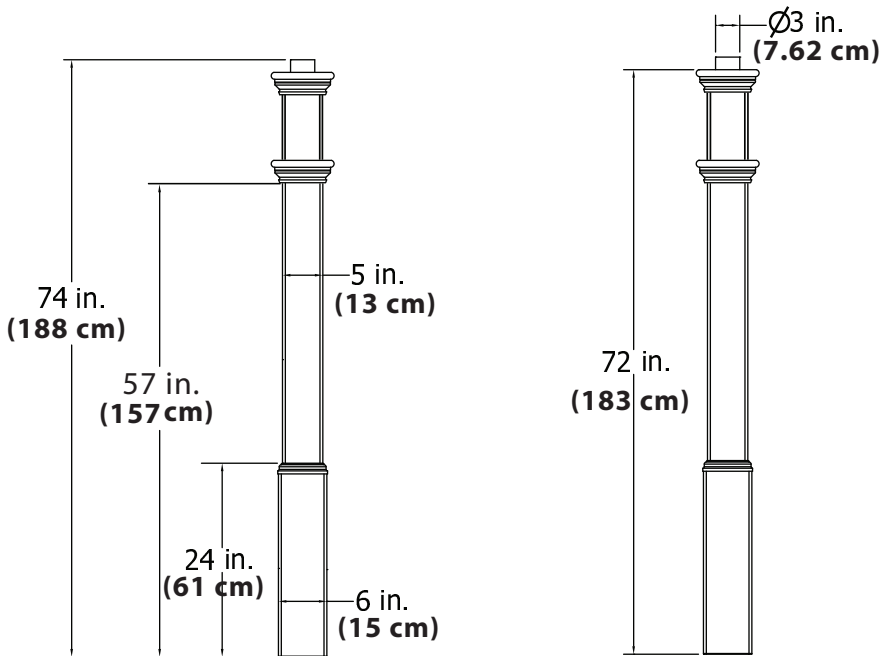


ASSEMBLY INSTRUCTIONS

The Sturbridge/Burton Lamp Post



Please read through before starting assembly.

Check Boxes for These Contents (1 Box)

In the event of missing or defective parts please call our customer service dept. at 1 800 282 9346 (Mon. to Fri. 8:00 AM to 5:00 PM EST).

Sturbridge/Burton Lamp Post

1. Lamp Post Top - (1) - 5" x 5" x 58" (12.7 x 12.7 x 147.3 cm) - 10890 White, 14053 Brown
2. Post Coupler (1) - 10725-1 White, 14052 Brown
3. Lamp Post Bottom - (1) - 5" x 5" x 14" (12.7 x 12.7 x 35.5 cm) - 10889 White, 14054 Brown
4. Post Cap (1) - 10789 White, 14051 Brown
5. Decorative Base Molding Trim Cap (1) - 10764 White, 14055 Brown
6. Decorative Base Molding - (1) - 10174-1 White, 14058 Brown (6"x6"x24" - 15.24 x 15.24 x 60.96 cm)
7. Decorative Base Molding Insert (1) - 10765 White, 14057 Brown
8. 1-1/2" Self-Tapping Screws (4) - 20005 White, 20031 Brown
9. VinylWeld Glue (1) - 20000 White, 20038 Brown
10. Post Trim (1) - 10698-1 White, 14029 Brown

Tools You Will Need

11. Wheelbarrow or bucket (to mix concrete)
12. Tape Measure
13. Level
14. Shovel
15. Drill

Purchased Separately

- Lamp.
- 4x4 Pressure treated lumber - 8' (2.4m) long
- Two bags of pre-mix concrete.*

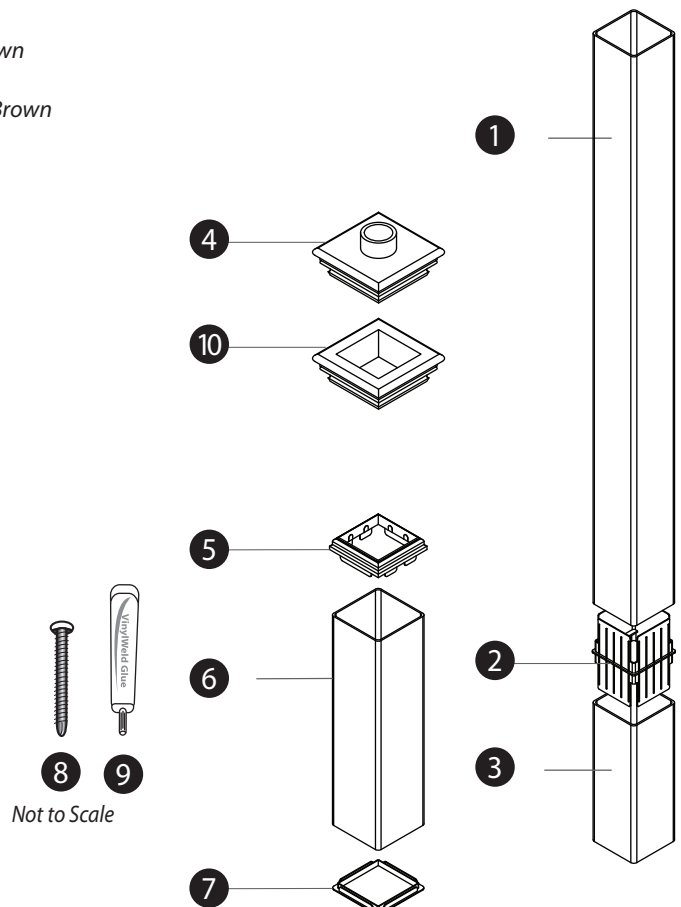
* Strongly recommended for the stability of this product.

General Information

- Read Instructions through carefully before beginning assembly.
- When handling components, place on a non-abrasive surface (i.e. shipping box) to avoid scratching.
- We recommend an area approx 10' x 8' (3m x 2.4m) for unobstructed handling.

Important Note:

- Please refer to local codes before installing outdoor lighting. UF-rated cable should be used for underground wiring and all materials should be approved by the Underwriter's Laborator (UL). Vita assumes no liability for errors, omissions or the outcome of any project.

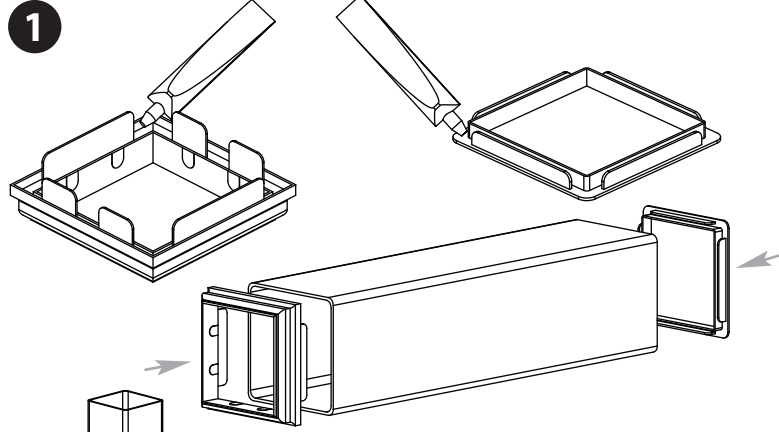


Not to Scale

STEP ONE

Decorative Base Molding Assembly

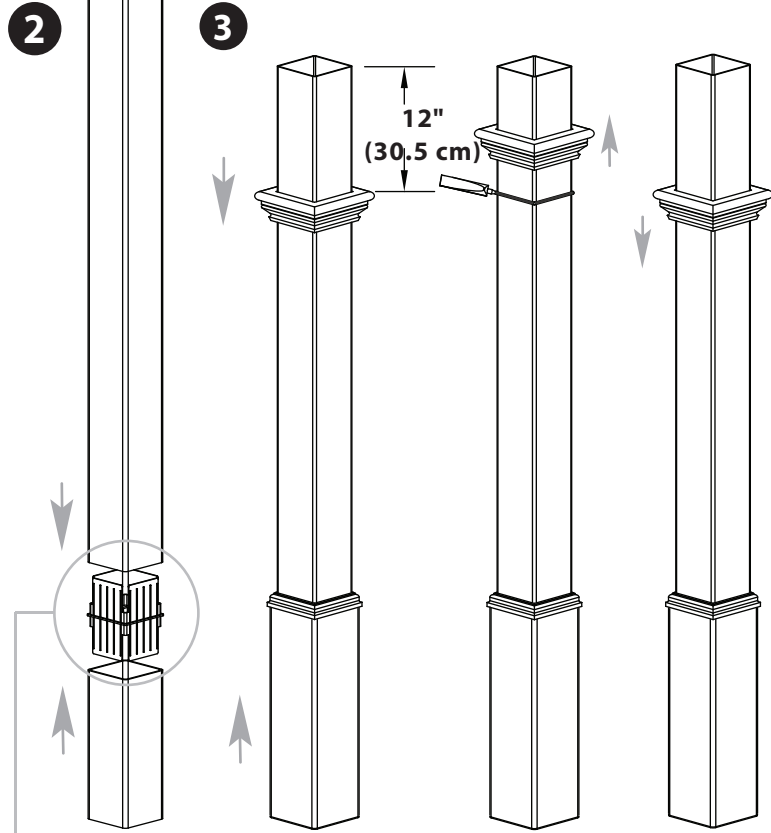
- Start by applying a small amount of glue to the underside of your Base Molding Trim Cap (part #5) and to the top side of the Decorative Base Molding Insert (part #7) as shown
- Attach to each end of the Decorative Base Molding (part #6) as shown



STEP TWO

Main Lamp Post Assembly

- Apply a small amount of glue to all four sides of your post coupler along the ribbed surfaces on each end (part #2).
- Use the post coupler (part #2) to join the lamp post top (part #1) to the lamp post bottom (part #3) as shown



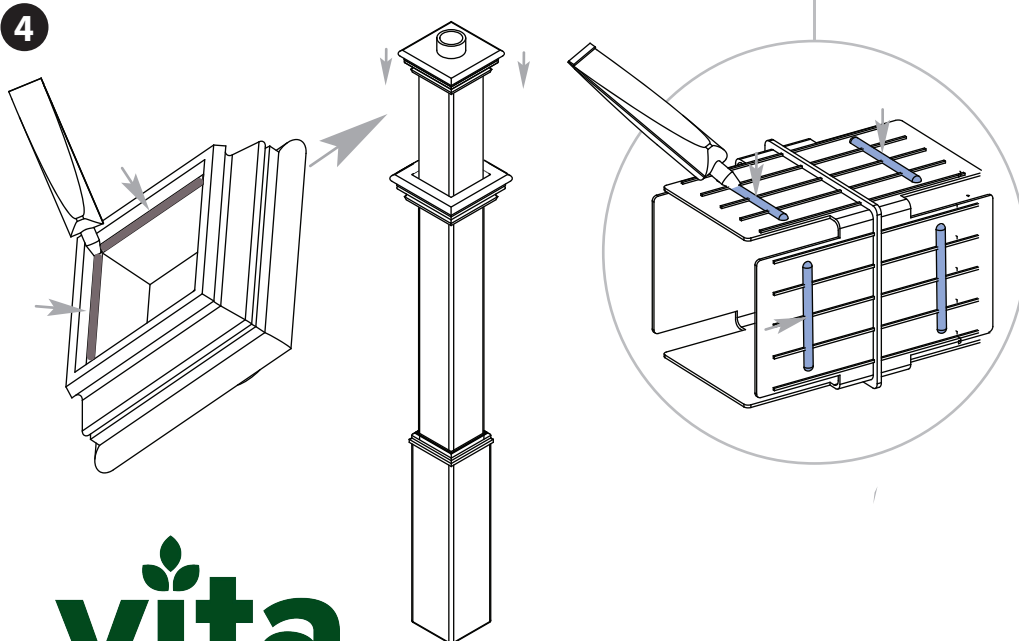
STEP THREE

Combine the Post, Decorative Base Molding and Trim

- Slide your completed Decorative Base Molding that you assembled in Step One over the completed Lamp Post from Step Two. Slide the Post Trim (part #10) onto the completed lamp post and measure approximately 12" from top
- Temporarily slide the post trim up and out of the way and apply a thin line of glue directly to the lamp post where you would like the trim piece to sit. Carefully move the trim back into place over the glue and hold for approximately 60 seconds or until trim stays in place (glue will cure completely in 24 hours). Be sure to wipe away any excess glue from your lamp post with a slightly damp cloth.

STEP FOUR

- Apply a thin line of glue inside the bottom of the post cap (part 4) and attach to the top of your completed lamp post (image 3). Wipe away excess glue and allow to cure for at least 60 seconds.



Lamp Post Installation

STEP FIVE

Wood Post Installation

- Dig a 36" (91.5cm) deep hole in the desired location. Verify the depth of the hole to ensure that the 4x4 wood post will be buried 36" into the ground. Fill the hole 3/4 full with prepared pre-mix concrete (not included). Insert the post into the concrete and check for level. Allow time for the concrete to set, then fill in the remainder of the hole.

STEP SIX

Lamp Post Installation

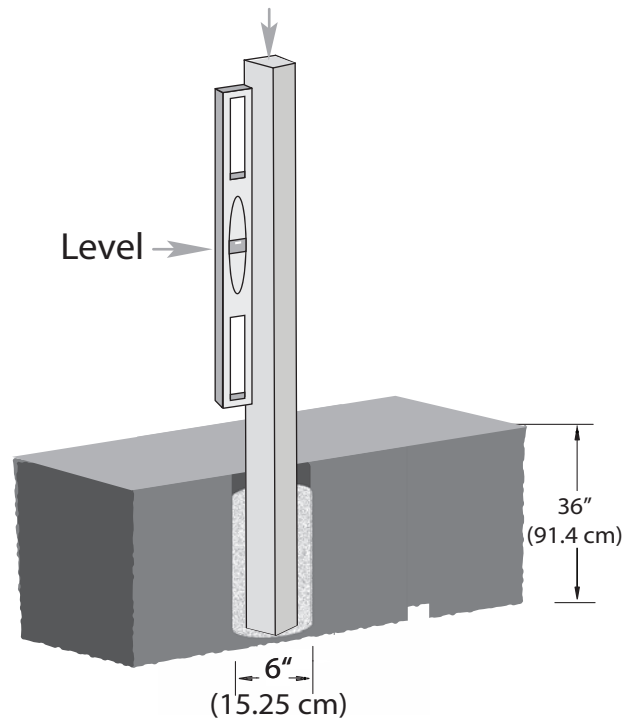
- If necessary, pre-wire the lamp by running the wire inside the cavity of the post through the universal 3 in. (7.62 cm) collar (Image A). If installing a solar lamp, disregard this step.
- Slide the lamp post assembly over the wood post (Image B).
- Line up one corner of the vinyl post until it sits flush with the corner of the wood post and fasten this corner at the top and bottom of the post with the provided screws as shown (Image C).

STEP SEVEN

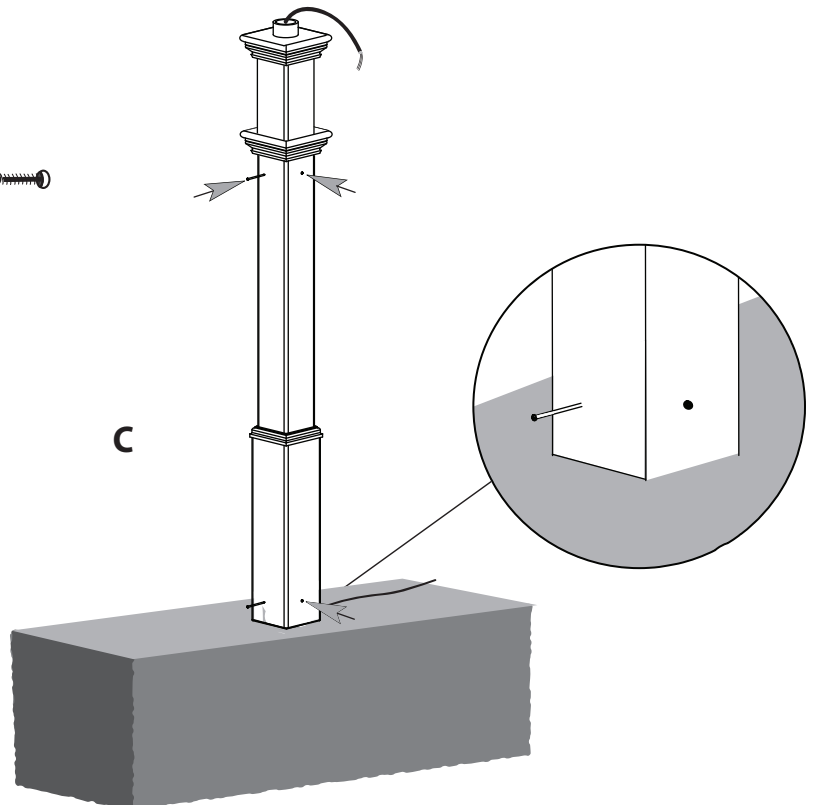
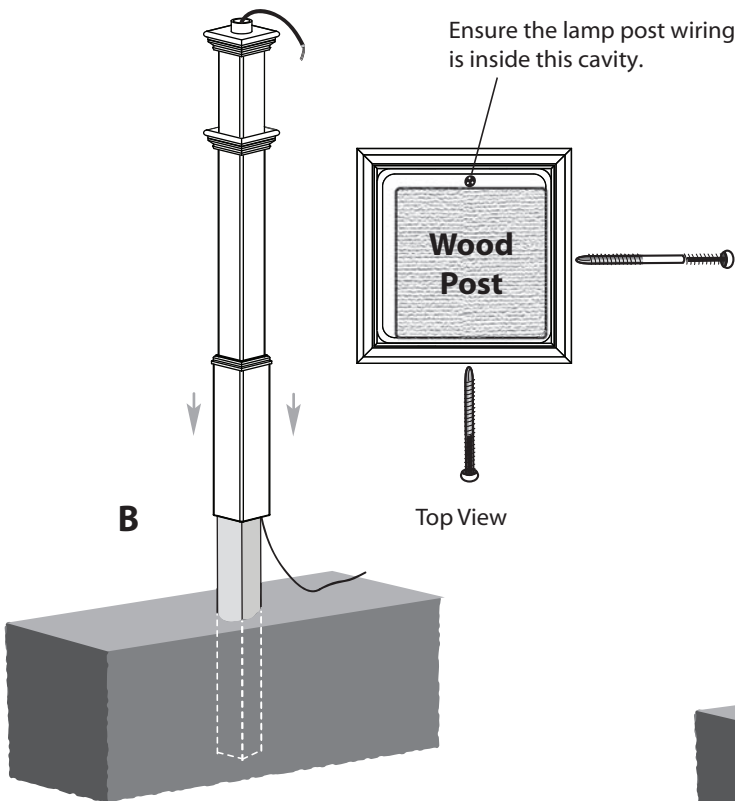
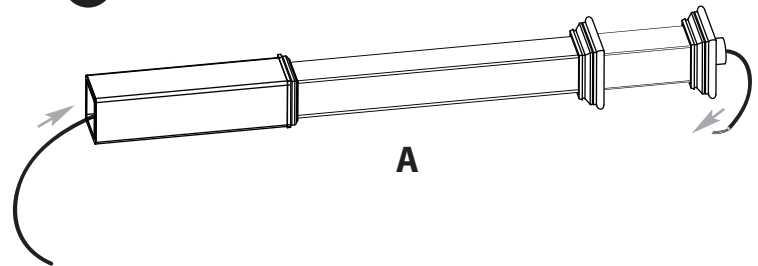
Installing Lamp

Follow the instructions included with the lamp (purchased separately) and secure it to the round collar on top of the post. You may need to modify how it attaches to the collar.

5



6



vita